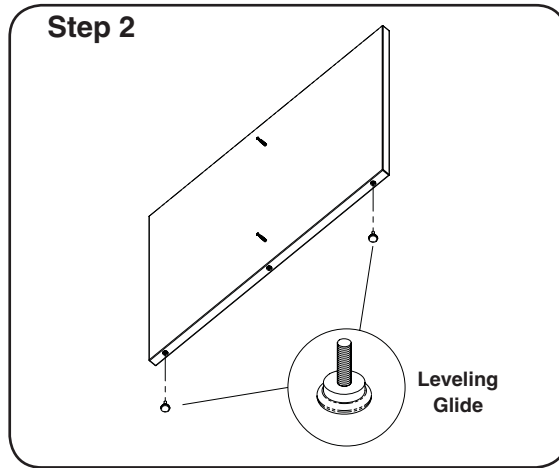
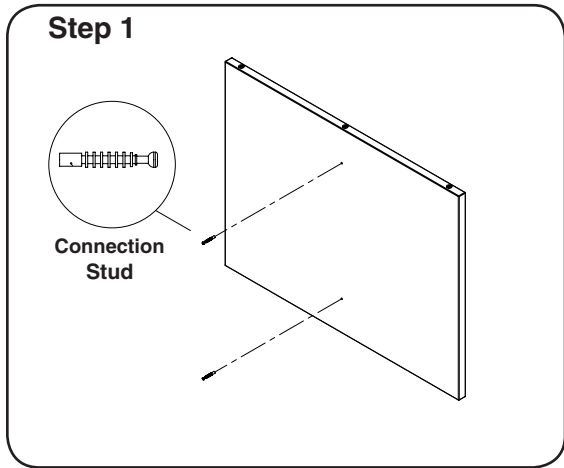


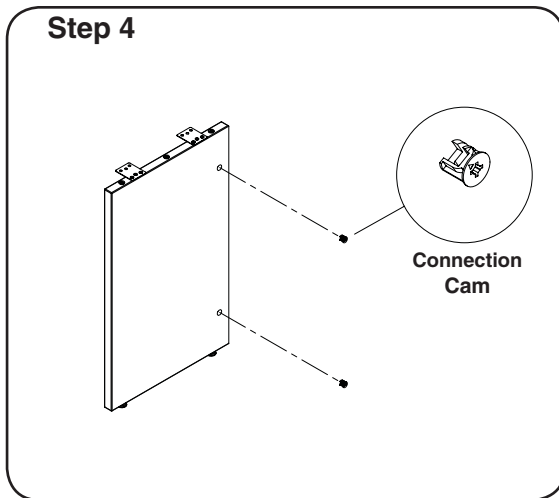
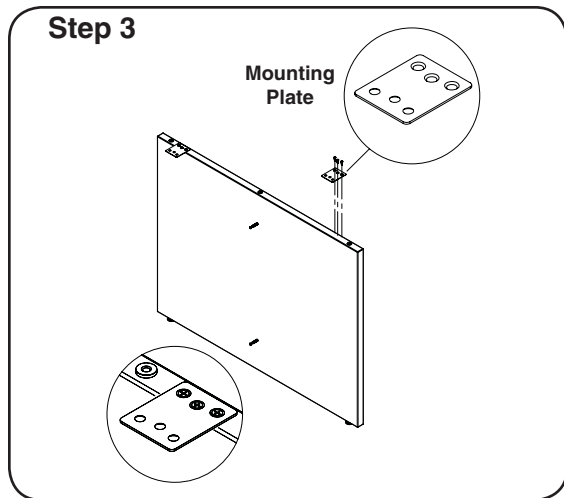
# Full Laminate Support Panels

# AIS



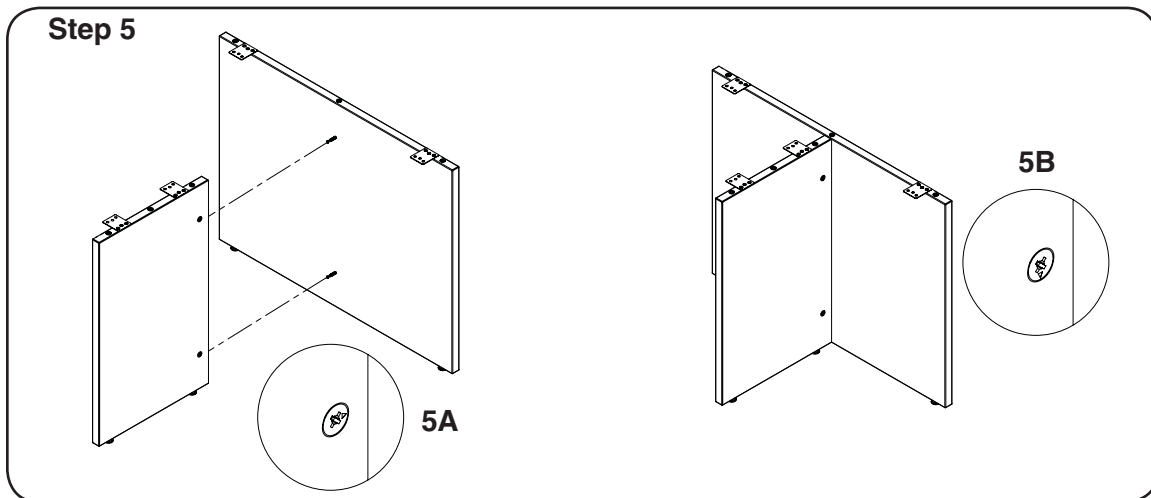
**Step 1** - Insert Connection Studs into predrilled holes in Male FLSP Faces.

**Step 2** - Insert Leveling Glides into Glide Housings. Note: FLSP is reversible by turning upside-down. Glide placement determines which "handed" version built. 60 inch wide and above get 3 glides.



**Step 3** - Attach Mounting Plates to FLSP Top with flathead worksurface screws. Note: Mounting Bracket is **countersunk**.

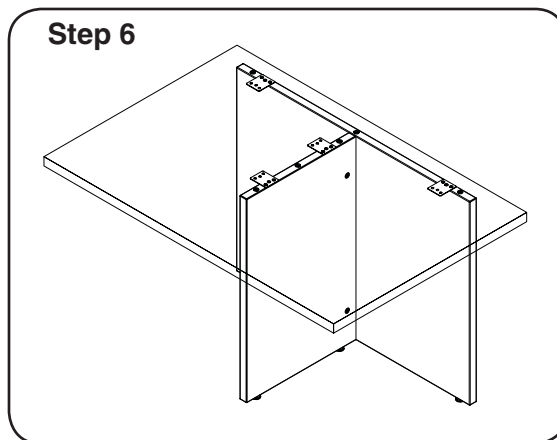
**Step 4** - Insert Connection Cams into Cam holes on female FLSPs. Rotate arrow on Cam towards edge.



**Step 5** - Insert Male Connection Pins into Female Cam holes until FLSPs are touching.

**5A** - When joining FLSPs rotate Cam arrow to point towards Connection Stud.

**5B** - With FLSPs flush, rotate Cam clockwise to tighten.



**Step 6** - Using flathead worksurface screws supplied, screw Mounting Plates to worksurfaces.