

*****READ ALL INSTRUCTIONS BEFORE USING*****

- For commercial use only.
- Warning: Risk of Injury – Maximum load 275 lbs. 2 leg, 325 lbs. 3 leg
- Electrical rating: 120V, 60Hz, 16 AMP
- No more than 12 furnishings can be connected on one branch circuit.

IMPORTANT SAFETY INSTRUCTIONS

DANGER – To reduce risk of electric shock:

- Always unplug furnishing from the electrical outlet before cleaning.

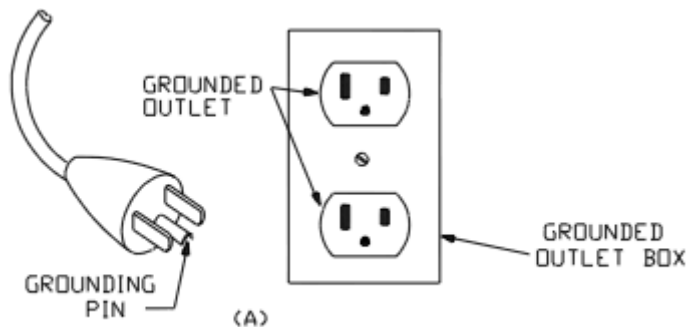
WARNING – To reduce the risk of burns, fire, electric shock, or injury to persons:

- Unplug from outlet before putting on or taking off parts.
- Close supervision is necessary when this furnishing is used by, or near children, invalids or disabled persons.
- Use this furnishing only for its intended use as described in these instructions. Do not use attachments not recommended by the manufacturer.
- Never operate this furnishing if it has a damaged cord or plug, if it is not working properly, if it has been dropped or damaged, or dropped into water.
- Keep the cord away from heated surfaces.
- Never operate the furnishing with the air openings blocked. Keep the air openings free of lint, hair and the like.
- Do not use outdoors.
- To disconnect, turn all controls to the off position, then remove plug from outlet.
- Connect to a properly grounded outlet only. See grounding instructions.
- For loading always put heavier items at the bottom and not near the top in order to help prevent the possibility of the furnishing tipping over.

| Date | Page No. | Description of change | Name |
|-----------|-----------|---|-----------|
| 11/9/2020 | 4-5, 9-10 | Added parts list. Updated control box and 90-degree cable | S. Powers |
| | | | |
| | | | |


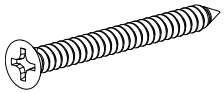
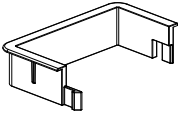
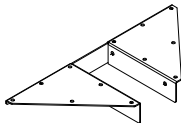
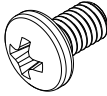
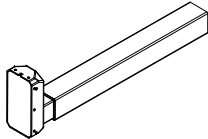
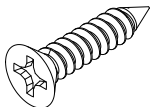
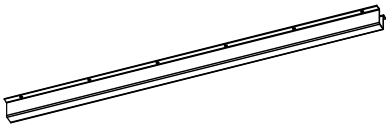
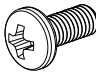

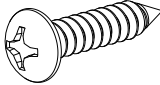
GROUNDING INSTRUCTIONS

This product is for use on a circuit having a nominal rating more than 120 volts and is factory-equipped with specific electric plug to permit connection to a proper electric circuit. Make sure that the product is connected to an outlet having the same configuration as the plug. No adapter should be used with this product









Calibrate Installation

Parts List

| Item | Replacement Part number | Circle Sheet Part Number | Description | Image |
|------|--|--|--------------------------------|---|
| 1 | O-HATDPB | O-HATDBP | HAT Plate |  |
| 2 | RH-SMZFP102B | RH-SMZFP102B | Flat Head Screw #10 x 2" long |  |
| 3 | RL-PLG | RL-PLG | Trim Ring |  |
| 4 | T-HAC | T-HAC | Cantilever |  |
| 5 | | | Pan Head Screw M6 x 10mm |  |
| 6 | RL-HAC70xx xx = BK (Black) xx = MS (Silver) xx = WT (White) | RL-HAC70xx xx = BK (Black) xx = MS (Silver) xx = WT (White) | 70mm Column |  |
| 7 | RH-QS0978 | RH-QS0978 | Flat Head Screw #9 x 7/8" Long |  |
| 8 | T-HA-Txx xx = 36 - 96 (6in increments) | RL-HA-Txx xx = 36 - 96 (6in increments) | Trough |  |
| 9 | | | Pan Head Screw M6 x 14mm long |  |
| 10 | RL-2LCB | RL-2LCB | 2 Input Control Box |  |
| 11 | | | Pan Head Screw #10 x 7/8" long |  |

Calibrate Installation

Parts List Cont.

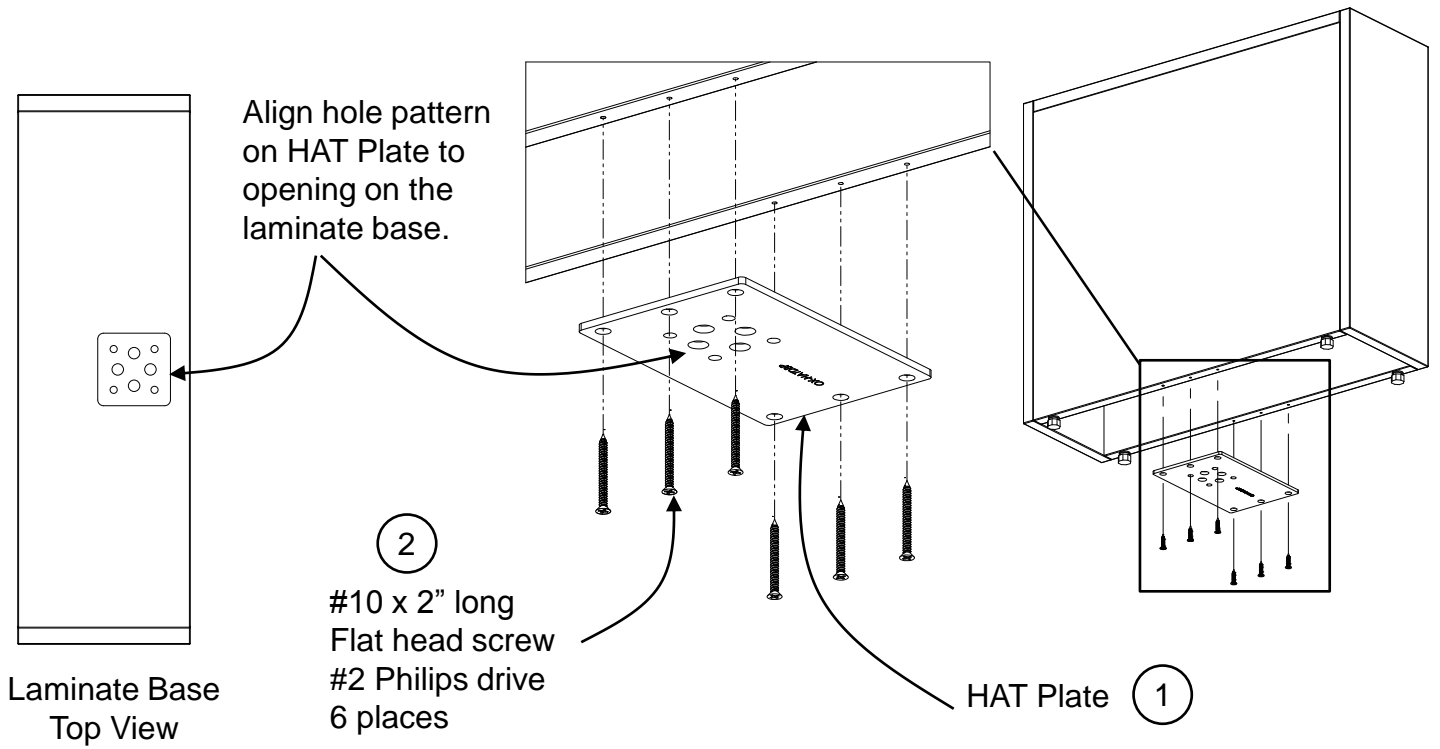
| Item | Replacement Part number | Circle Sheet Part Number | Description | Image |
|------|-------------------------|--------------------------|---|---|
| 12 | RL-2LCK90 | RL-2LCK90 | 90° Cable Extension 1.3M long |  |
| 13 | RL-PHS | RL-PHS | Programmable Control Pad |  |
| 14 | | | Pan Head Screw #6 x 1/2" long |  |
| 15 | O-SLSBMB2 | O-SLSBMB2 | Fixed Modesty Bracket |  |
| 16 | RH-WSFP1034 | RH-WSFP1034 | #10 x 3/4" long Flat head wood screw |  |
| 17 | L-MPB | L-MPB | Suspended Modest Bracket |  |

Calibrate Installation

Executive Desk

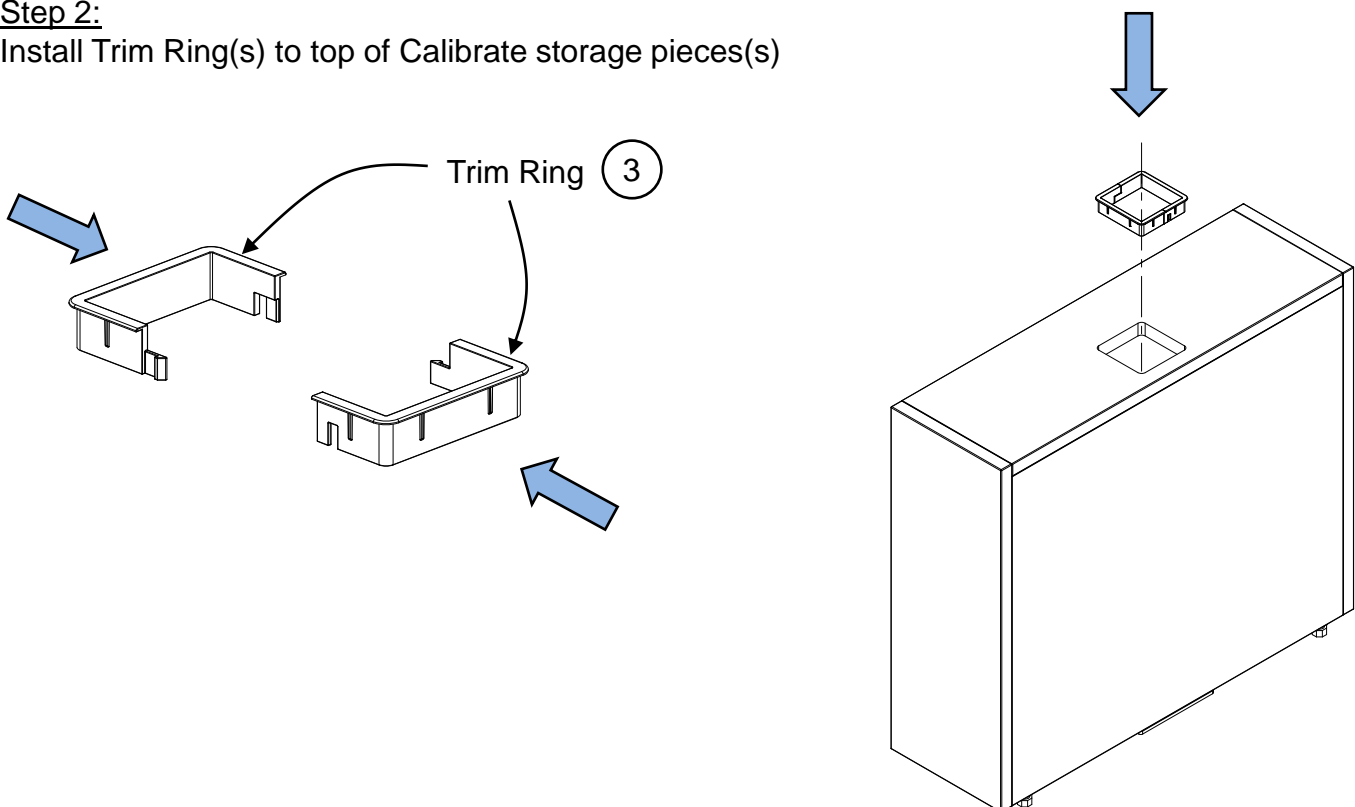
Step 1:

Install HAT plate(s) to bottom of Calibrate storage pieces(s)



Step 2:

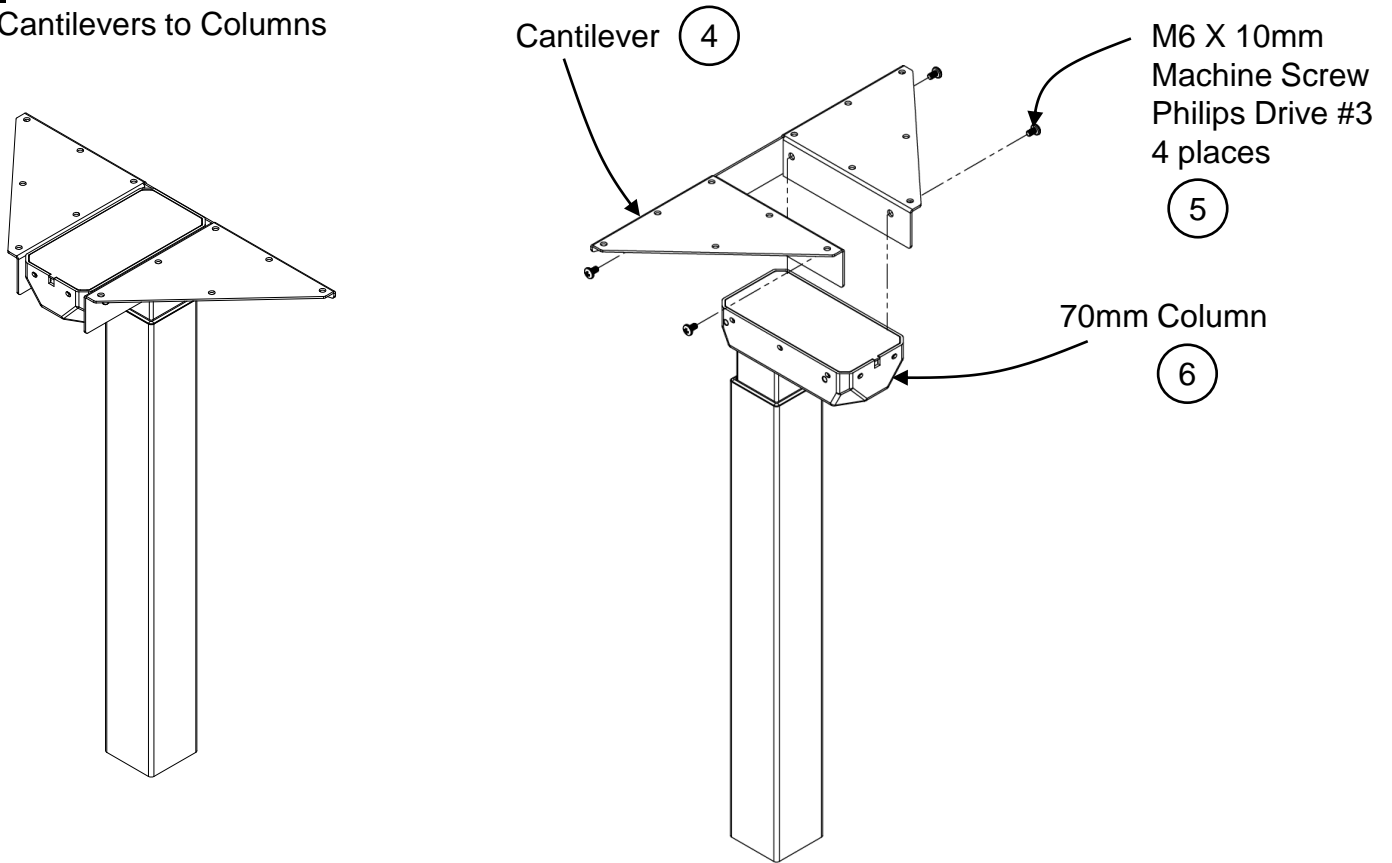
Install Trim Ring(s) to top of Calibrate storage pieces(s)



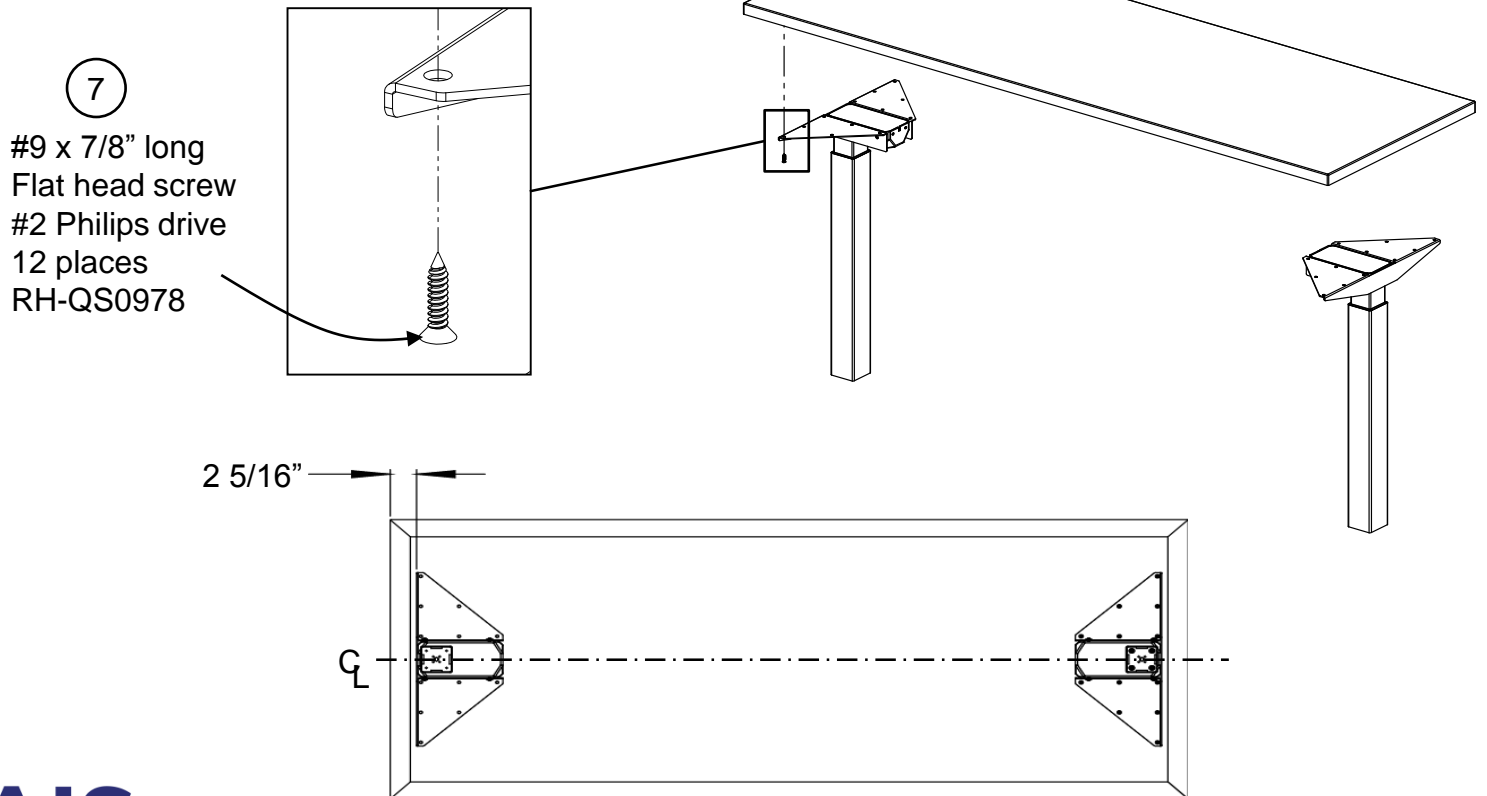
Calibrate Installation

Executive Desk

Step 3:
Install Cantilevers to Columns



Step 4:
Install Worksurface(s)

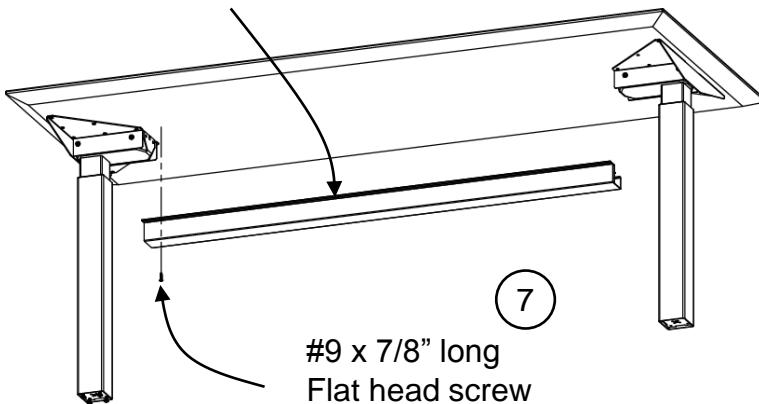


Calibrate Installation

Step 5:

Install trough(s) to worksurface. Symmetrically center trough horizontally between the 2 columns.
(views shown here without storage for clarity)

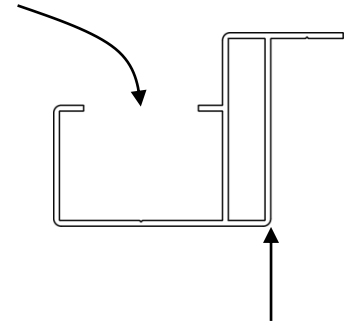
- 8 Trough
Length = Worksurface width - 20 1/8"



#9 x 7/8" long
Flat head screw
#2 Philips drive
6 places

Executive Desk

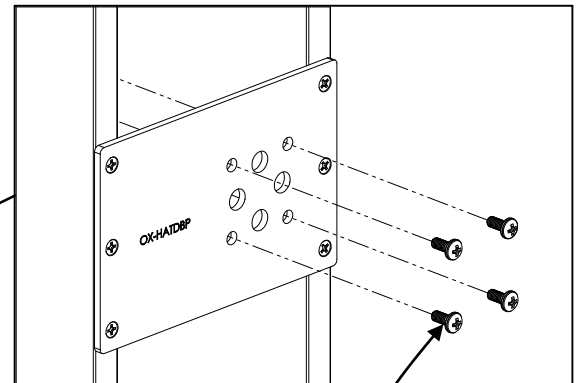
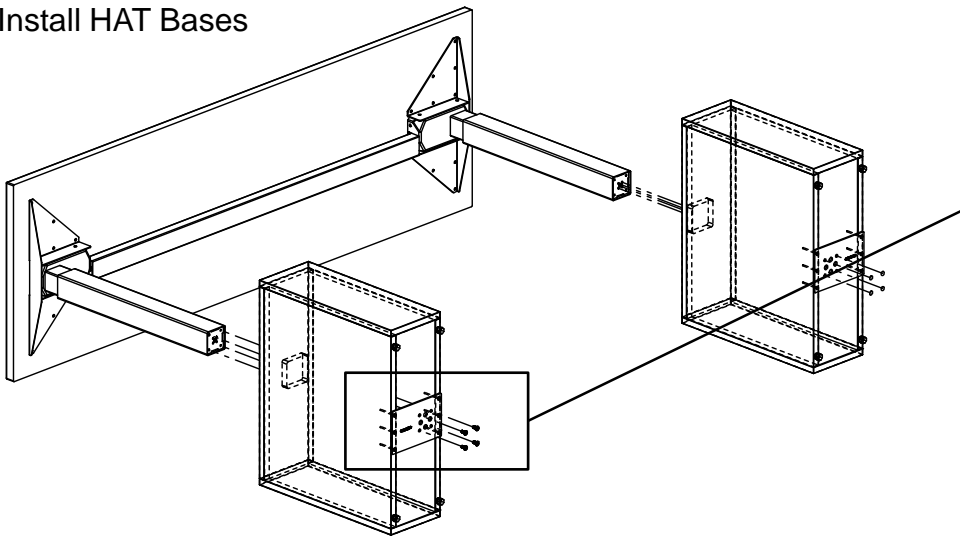
Mount trough so that this opening is on user side



Align this edge with Cantilever edge so that the trough is off-centered from the worksurface

Step 6:

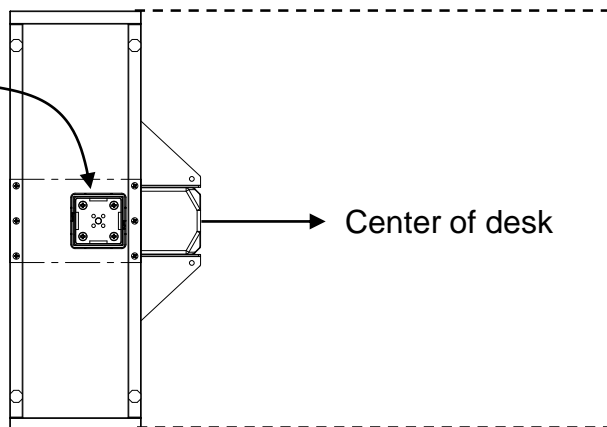
Install HAT Bases



- 9 M6 X 14mm
Machine Screw
Philips Drive #3
8 places



OFFSET



Center of desk

Orientate base cabinet such that the leg is inboard toward the center of the desk



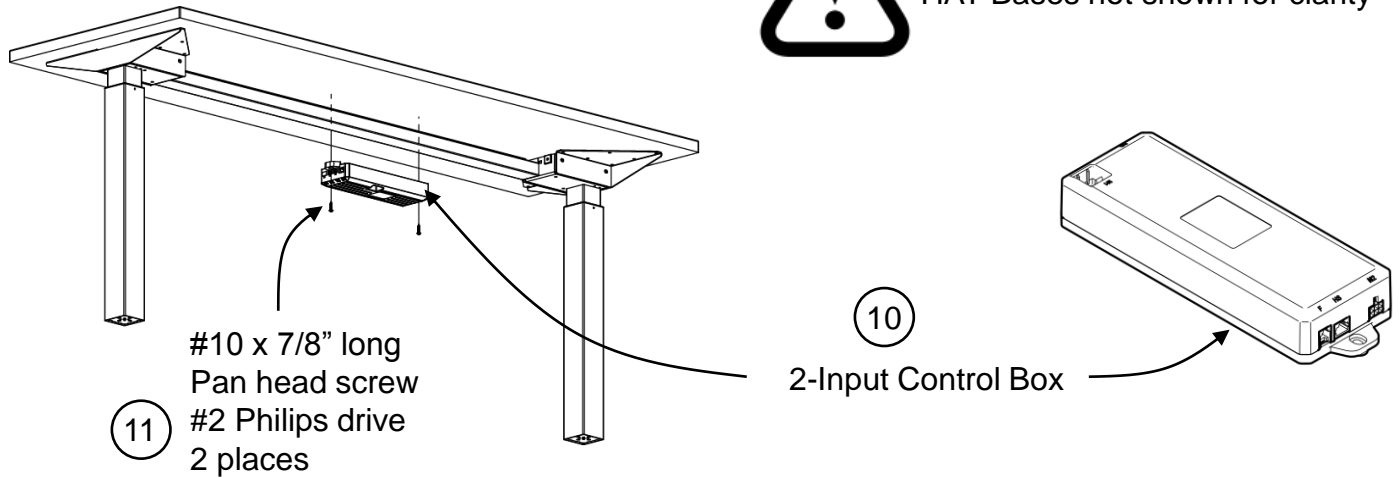
Calibrate Installation

Executive Desk

Step 7:
Install Control Box.



HAT Bases not shown for clarity



Step 8:
Connect columns to control box.

Connect Leg 2 to Port M2
(See Fig B below)

Connect Leg 1 to Port M1
Use 90° 1.3M long cable extension
(See Fig A below)

(12)

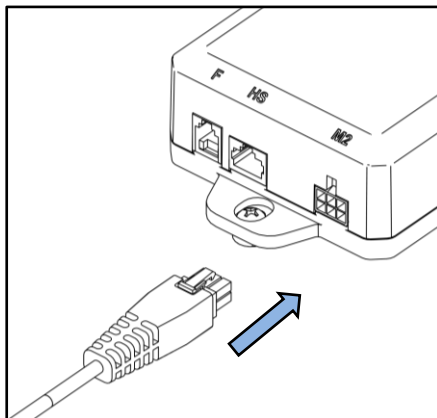
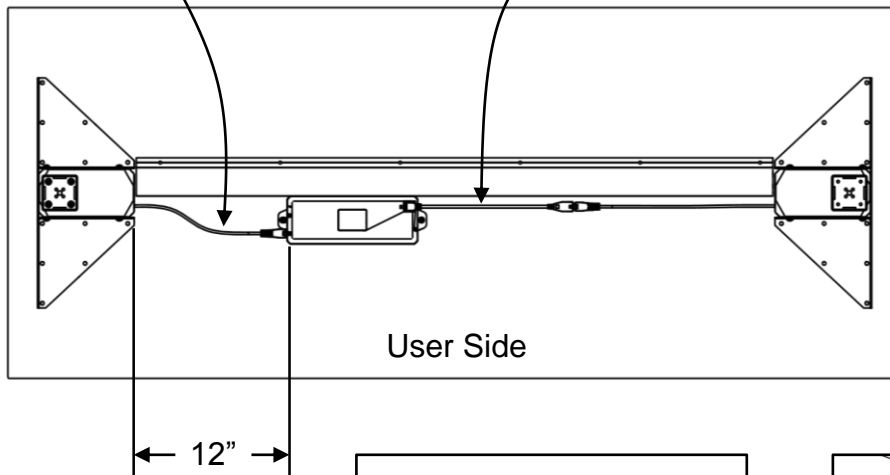


Fig B

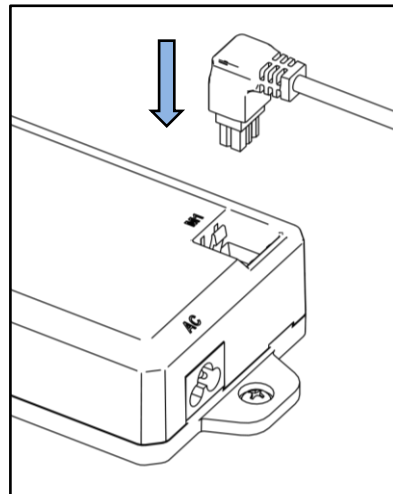
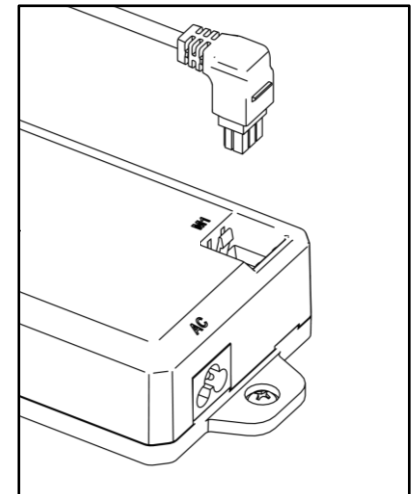


Fig A - CORRECT



IN-CORRECT

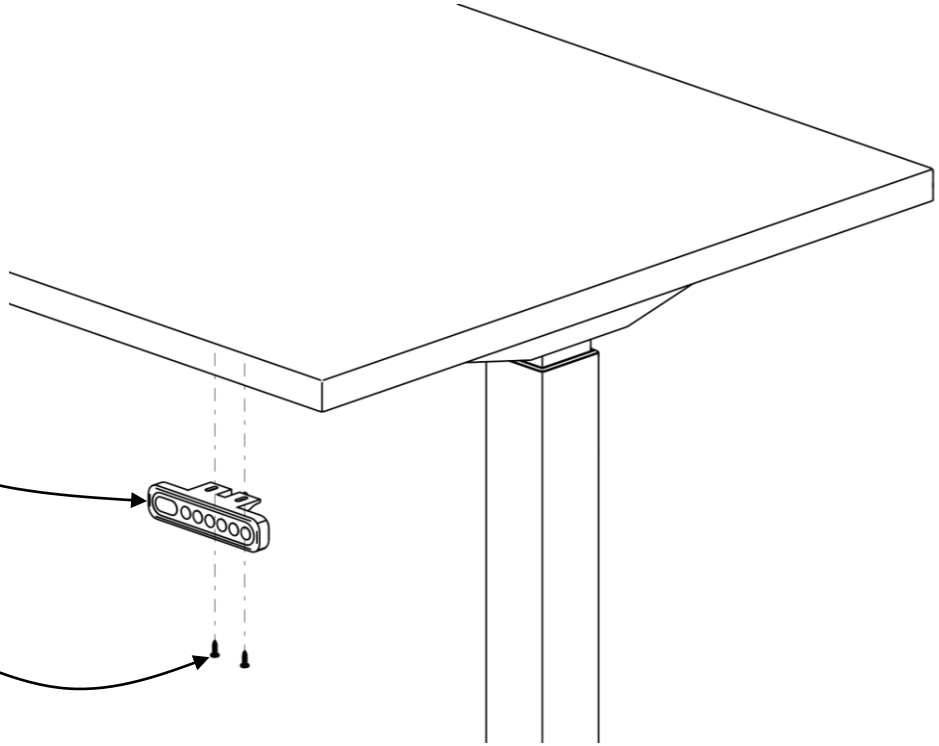


Calibrate Installation

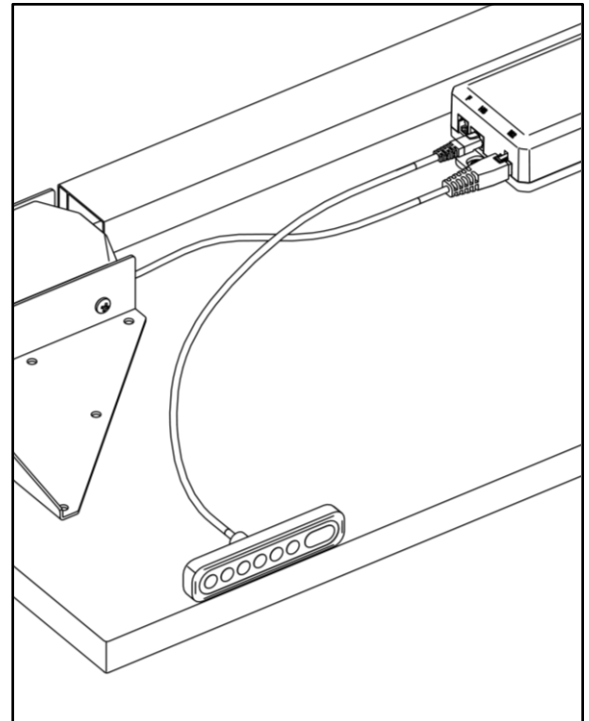
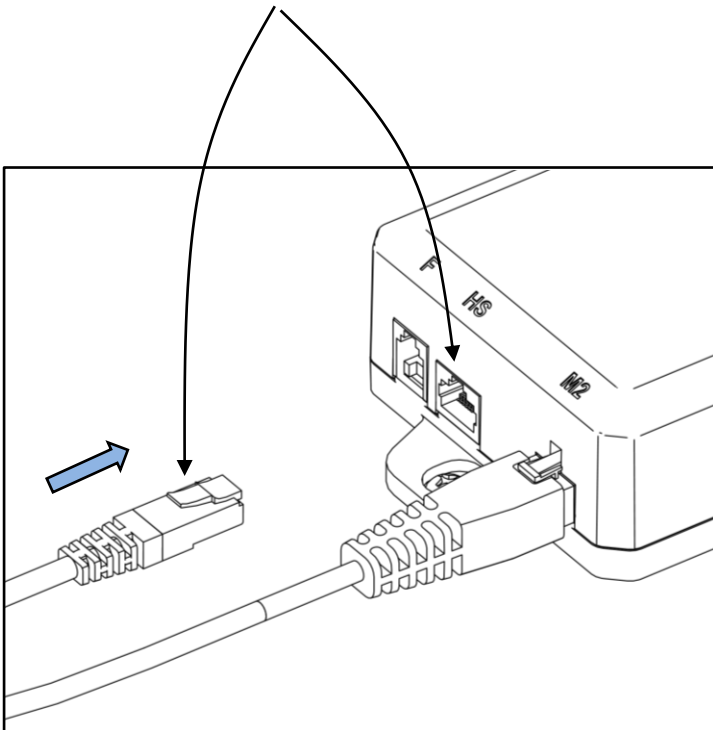
Executive Desk

Step 9:
Connect control pad.

- ⑬ Programmable Control Pad
- ⑭ #6 x 1/2" long Pan Head Screw #2 Philips Drive 4 places

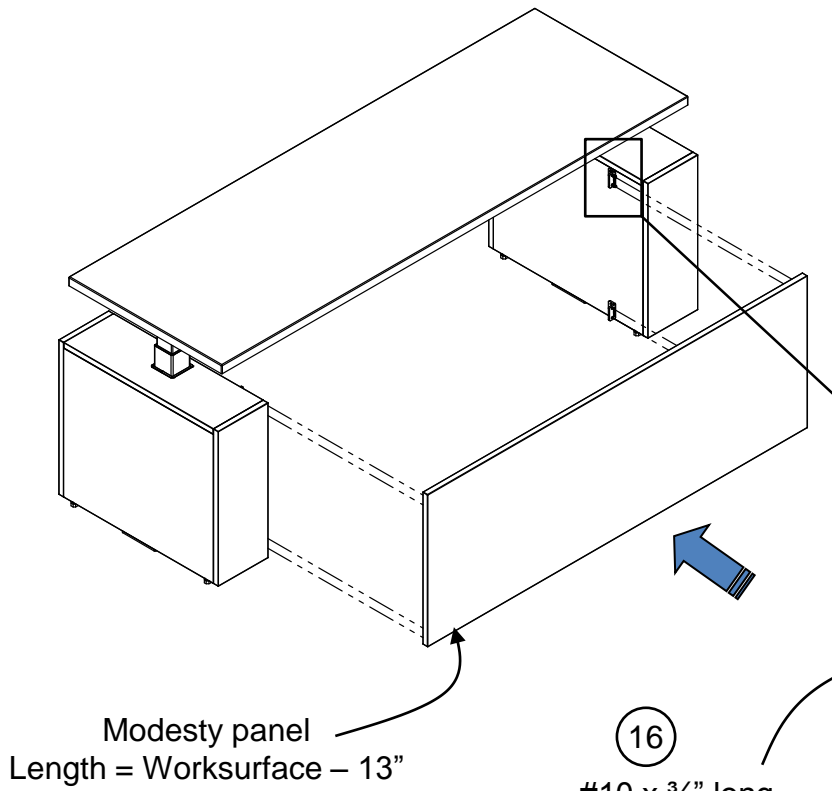


Plug Control Pad into Port HS

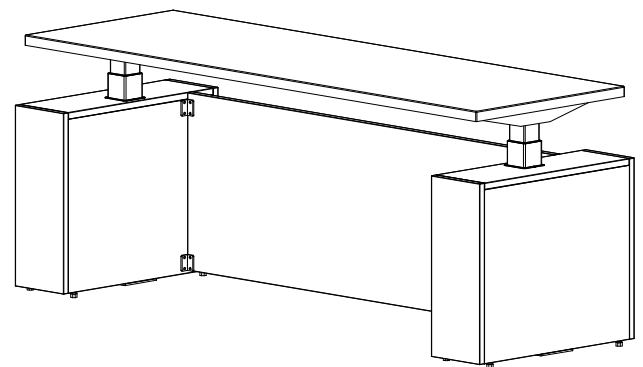
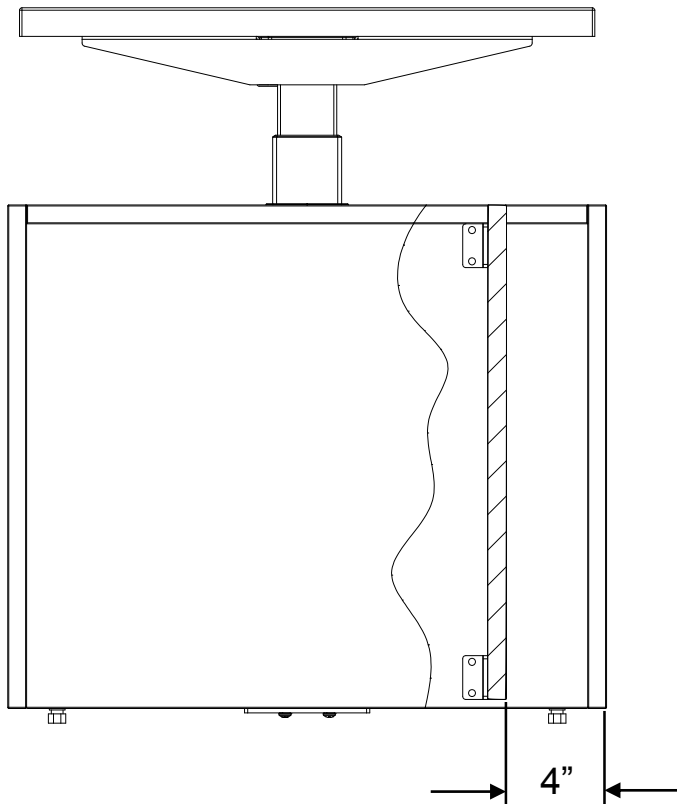
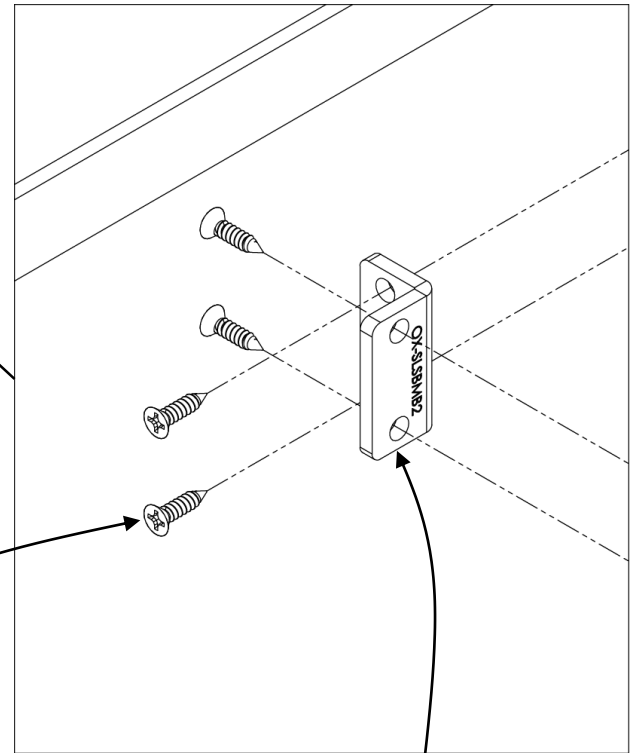


Calibrate Installation

Fixed Modesty

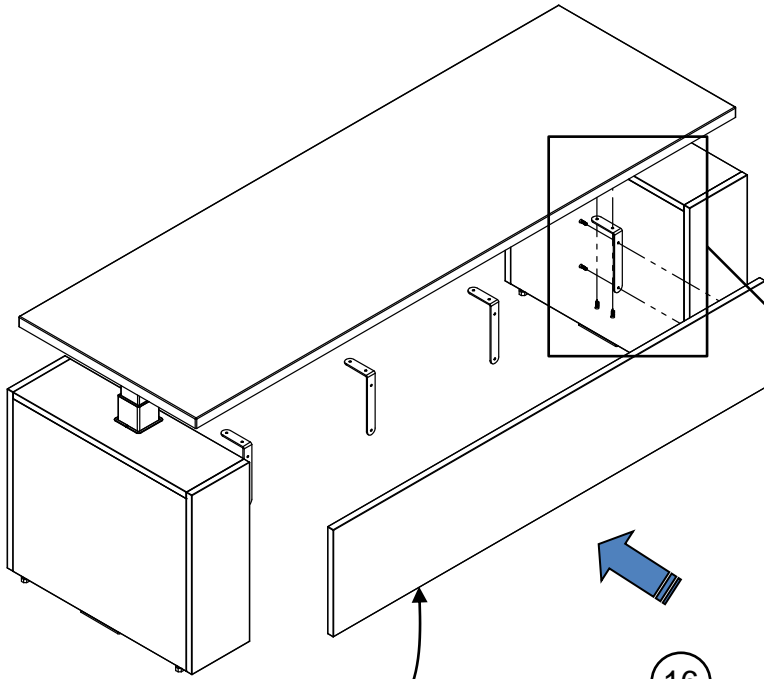


①⑥
#10 x 3/4" long
Flat head wood screw
#2 Philips drive
16 places



Calibrate Installation

Suspended Modesty



Modesty panel
Length = Worksurface - 14"

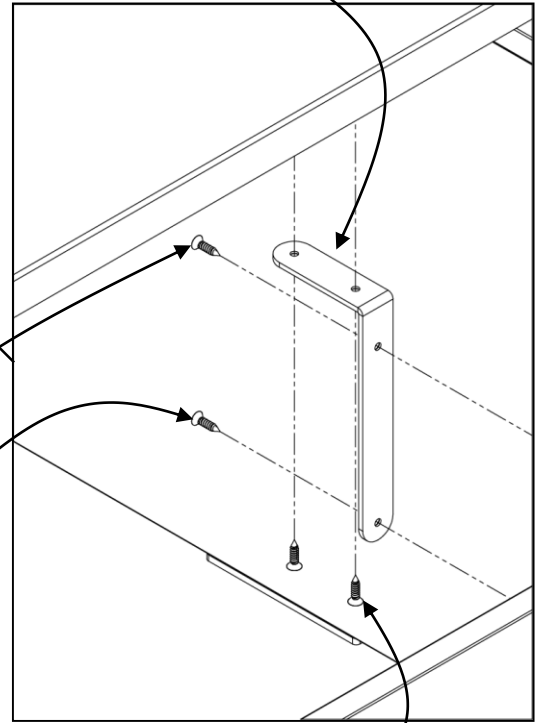
16

#10 x 3/4" long
Flat head wood screw
#2 Philips drive 8 places
RH-WSFP1034

(Do not use worksurface screw!)

17

Bracket
4 places
L-MPB



7

#9 x 7/8" long
Flat head screw
#2 Philips drive
8 places
RH-QS0978

