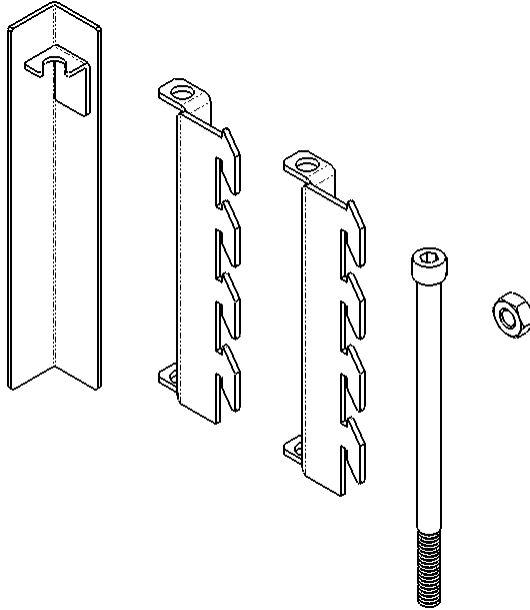
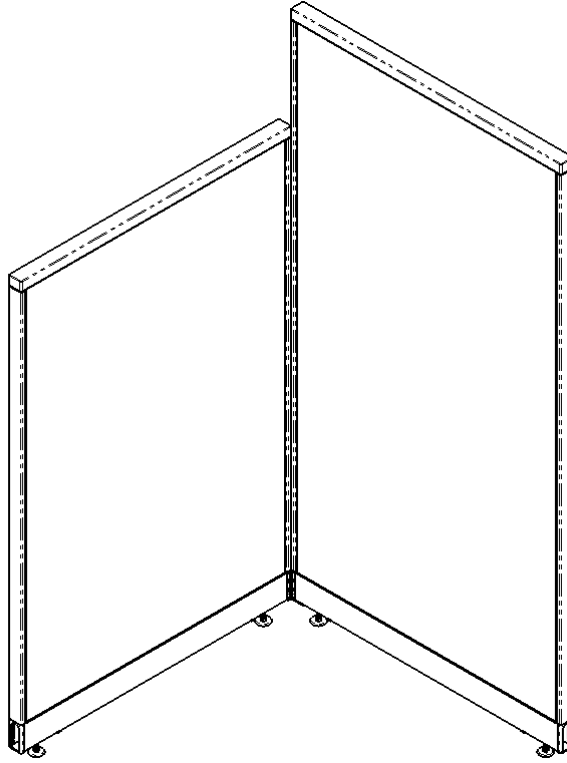


M-WALL HILO INSTALLATION INSTRUCTIONS

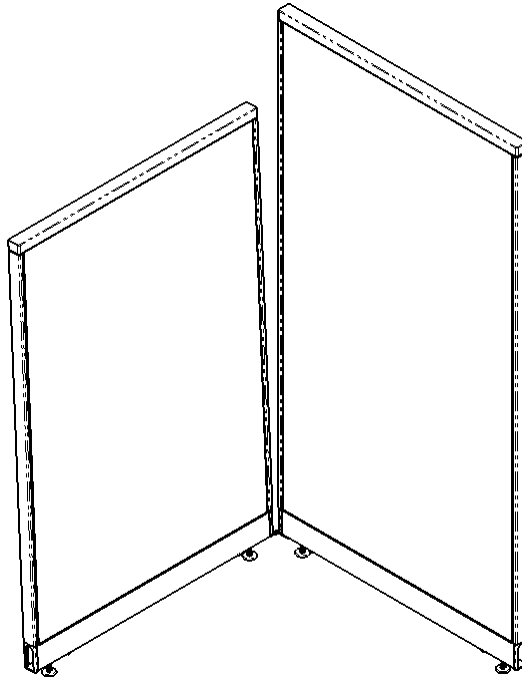
- I) MAKE SURE ALL OF THE PARTS ARE PRESENT:
- 1x HILO COVER
 - 2x HILO BRACKETS
 - 1x 4 1/2" 1/4-20 SOCKET HEAD BOLT
 - 1x 1/4-20 HEX NUT



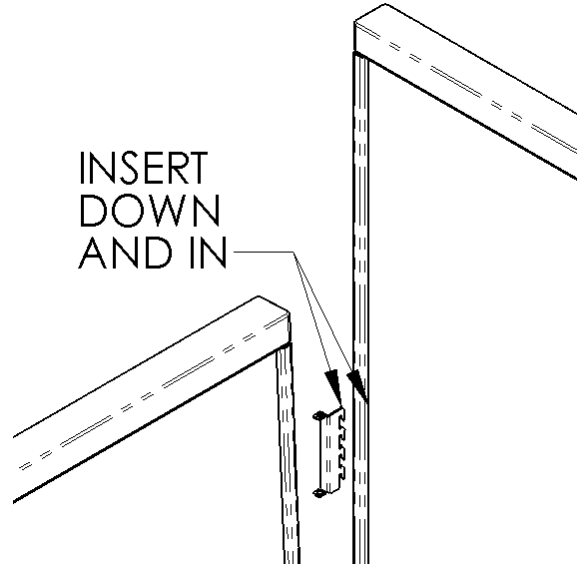
- II) INSTALL PIN AND PORK CHOP ON BOTTOM OF STATION NORMALLY.
- The LEFT panel MUST get the porkchop and the right panel get the pin as you look at the inside of the panels.
- III) PLACE PIN STATION ONTO PORK CHOP SO PIN GOES INTO HOLE AS WITH NORMAL M-WALL INSTALLATION.



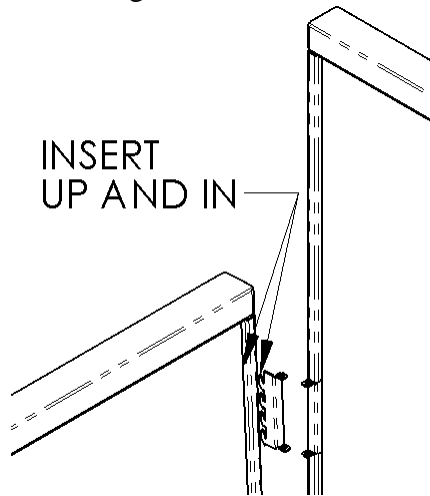
IV) TILT ONE PANEL OUT SLIGHTLY



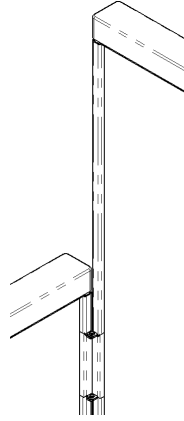
V) INSTALL FIRST BRACKET DOWNWARD INTO THE RIGHT PANEL.



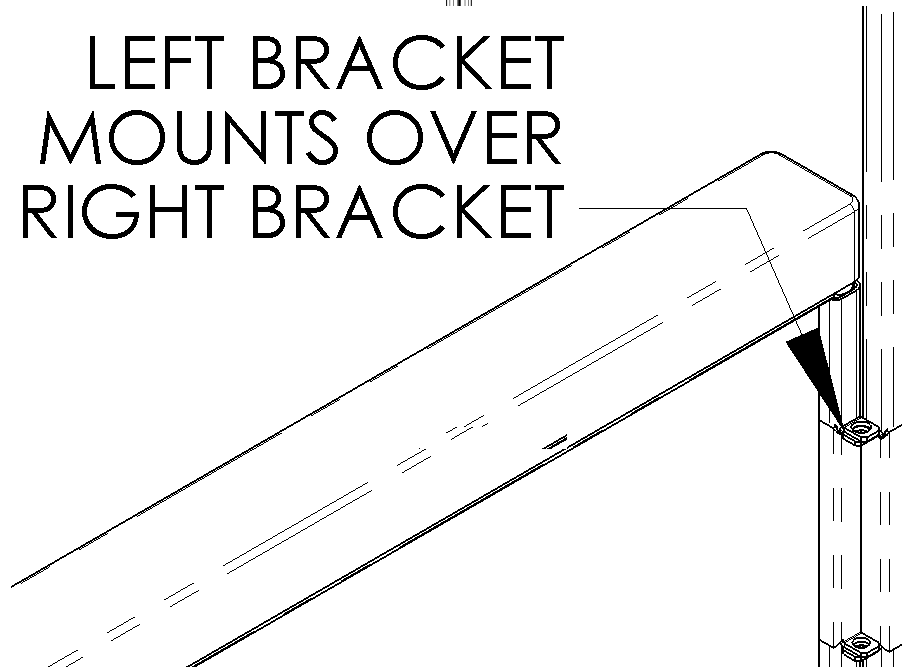
- VI) INSTALL THE SECOND BRACKET UPWARD INTO THE LEFT PANEL.
a. Make sure the left and right brackets are mounted at the same height.



- VII) TILT THE PANEL BACK VERTICAL SO THAT THE LEFT BRACKET MOUNTS OVER THE RIGHT BRACKET.

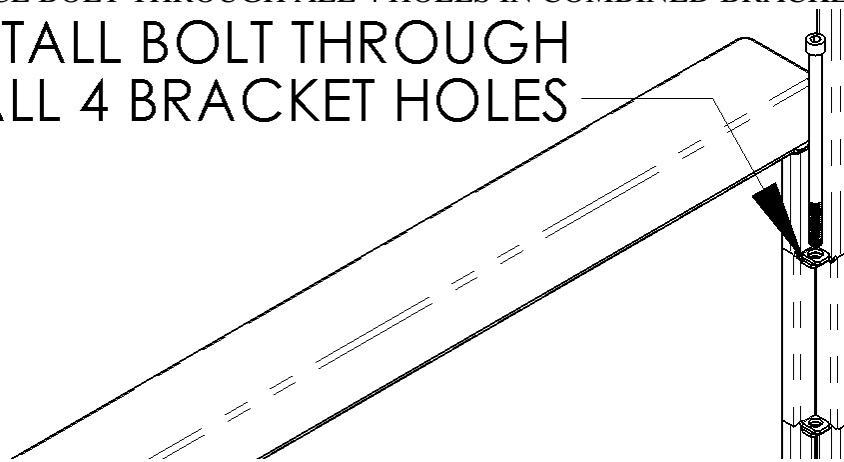


LEFT BRACKET
MOUNTS OVER
RIGHT BRACKET

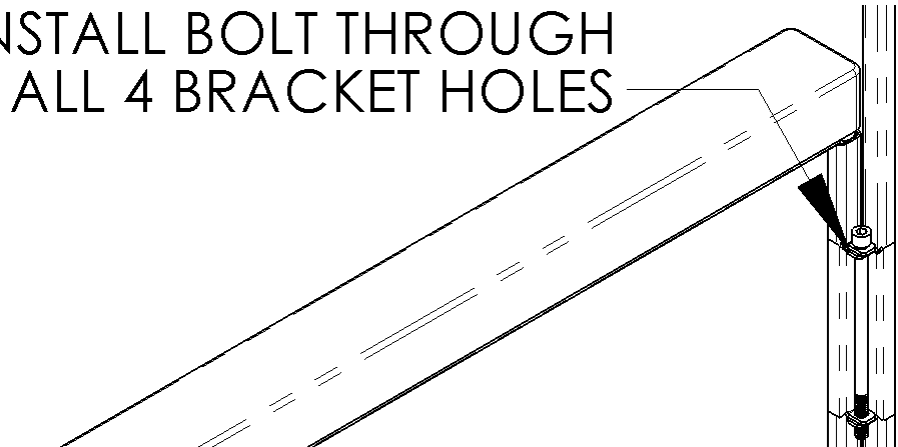


VIII) PLACE BOLT THROUGH ALL 4 HOLES IN COMBINED BRACKETS.

INSTALL BOLT THROUGH
ALL 4 BRACKET HOLES

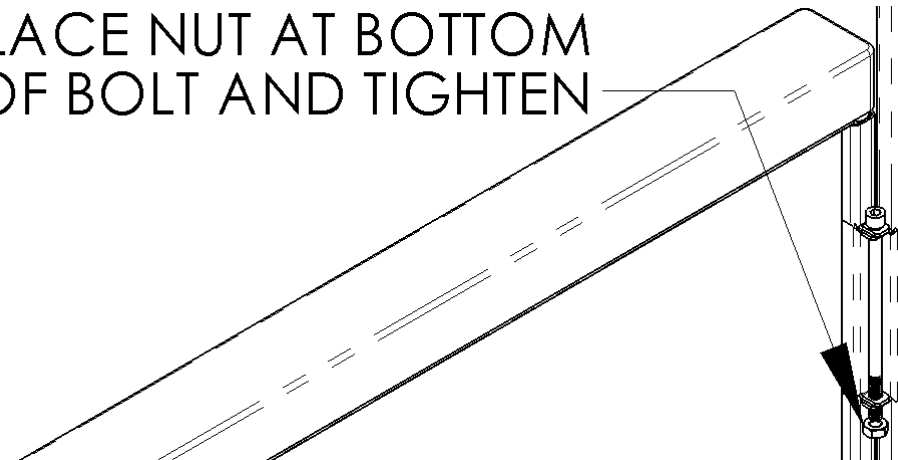


INSTALL BOLT THROUGH
ALL 4 BRACKET HOLES



- IX) PLACE NUT AT BOTTOM OF BRACKETS AT END OF BOLT
- X) TIGHTEN BOLT ENOUGH TO HOLD ON END OF BOLT

PLACE NUT AT BOTTOM
OF BOLT AND TIGHTEN



- XI) PLACE COVER OVER BRACKETS WITH MOUNTING HOOK UNDER HEAD OF BOLT
- XII) TIGHTEN BOLT & NUT SO COVER IS HELD IN PLACE

PLACE COVER
UNDER HEAD OF
BOLT AND TIGHTEN

