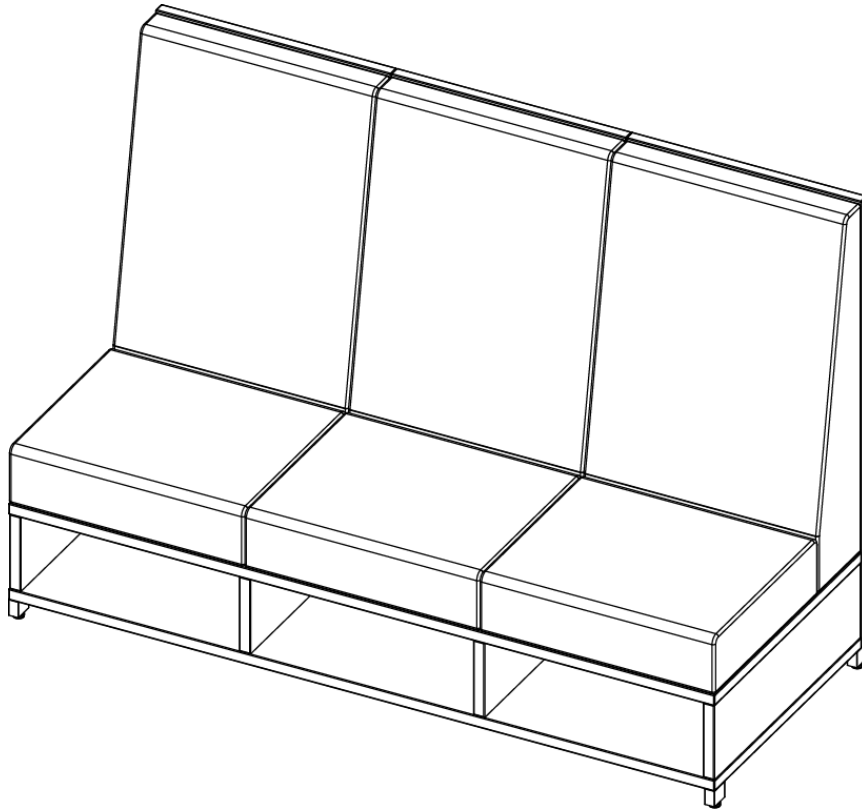
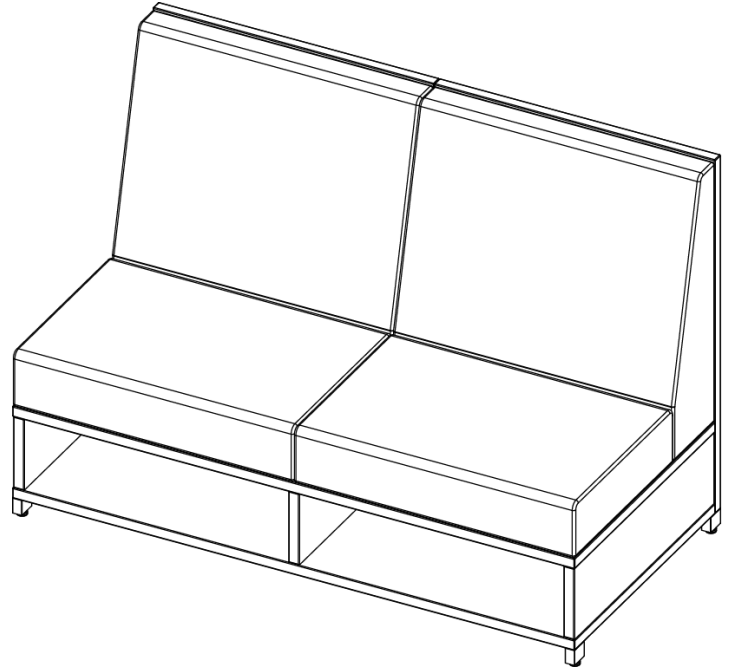
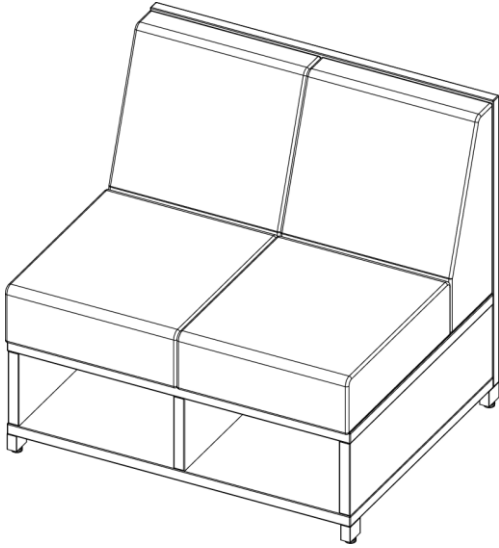


LB Lounge Installation



Date	Page No.	Description of change	Name
2/1/18	1-7	Originated	S. Powers
10/9/18	5	Added #9 x 1" screw	S. Powers
1/16/19	7	Changed from Velcro strip to screws	S. Powers

LB Lounge Installation

Back Panel Install

Back Panel
For 36-42W

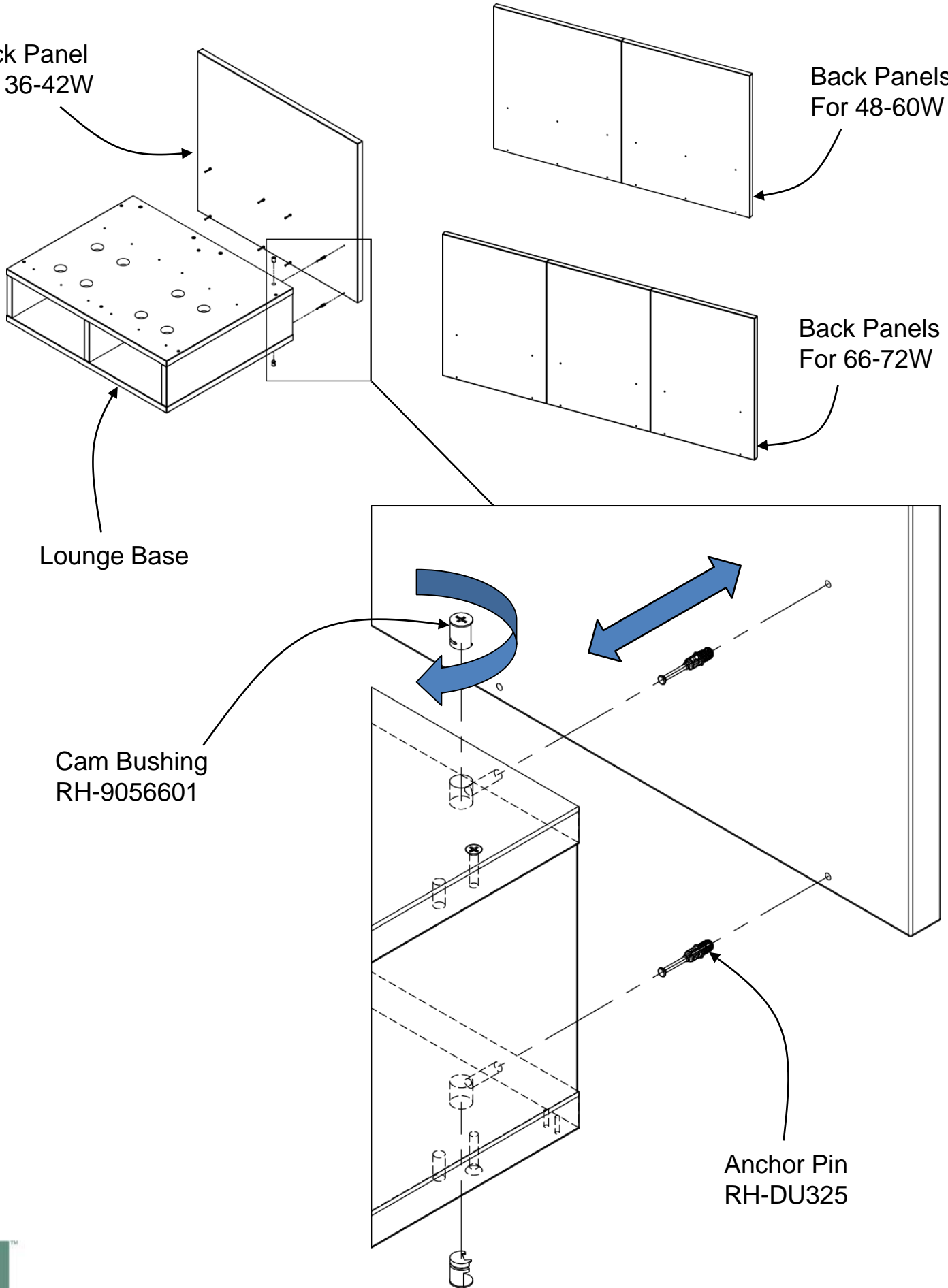
Back Panels
For 48-60W

Back Panels
For 66-72W

Lounge Base

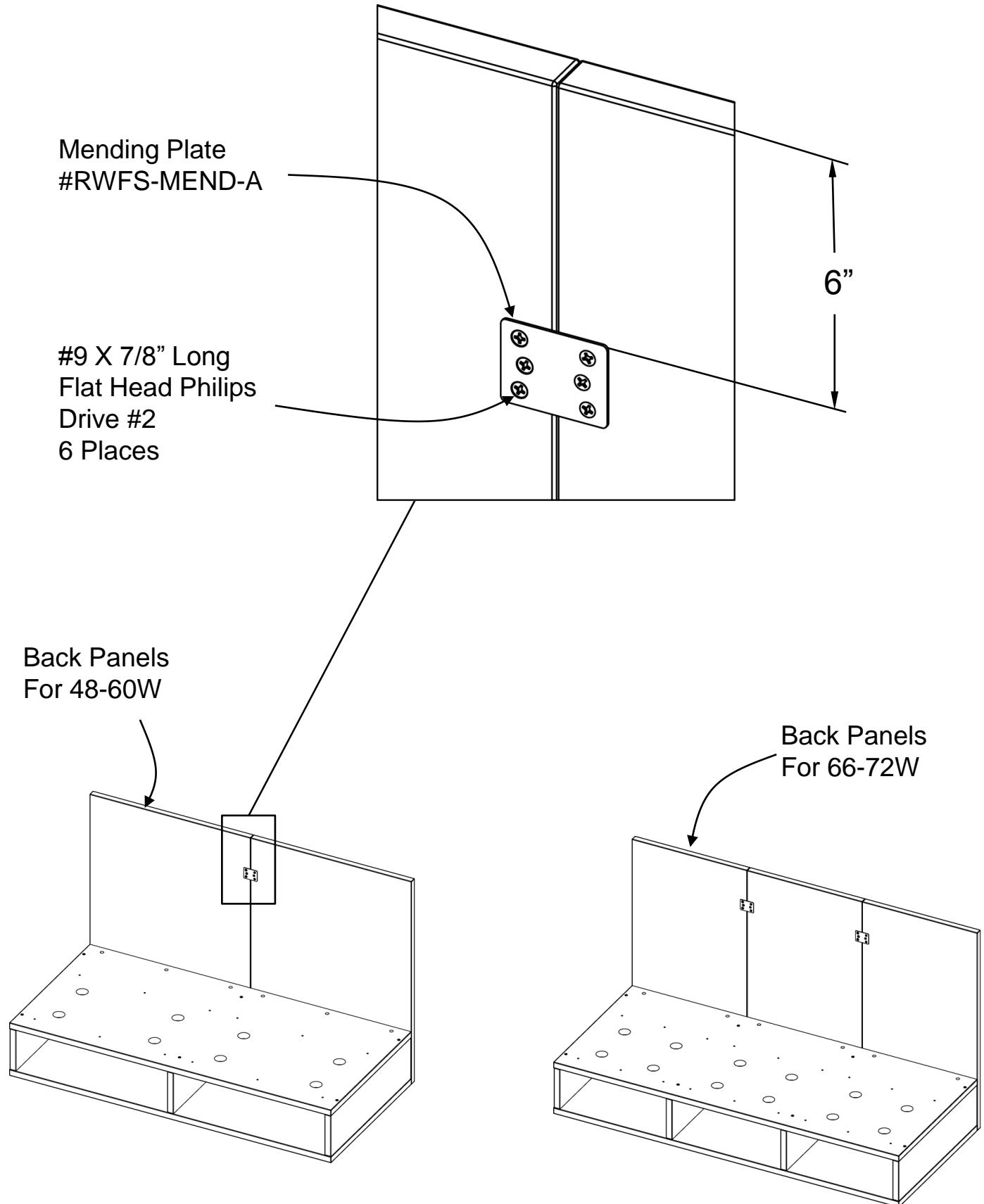
Cam Bushing
RH-9056601

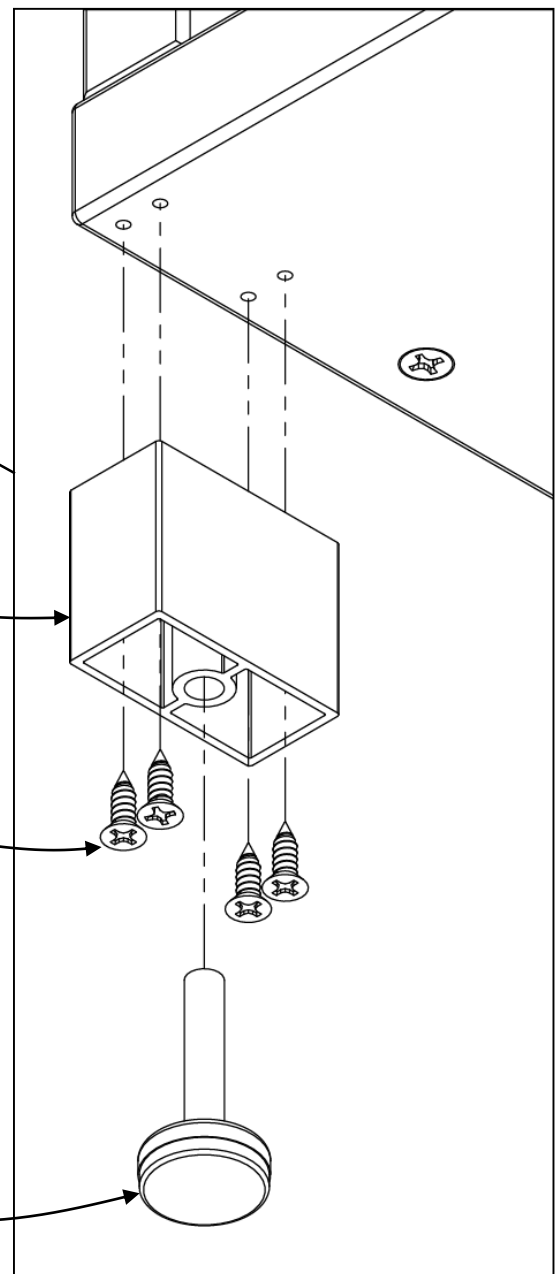
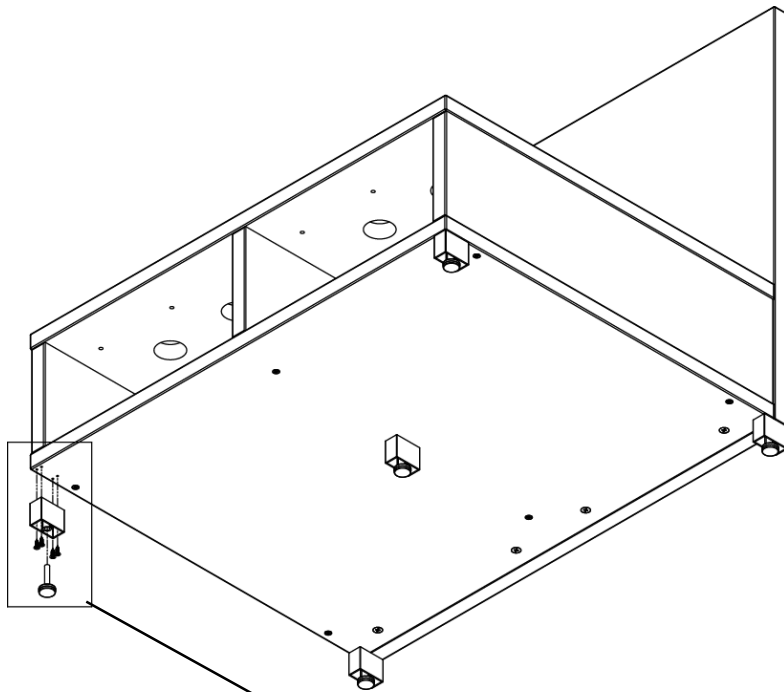
Anchor Pin
RH-DU325



LB Lounge Installation

Mending Plate Install





Foot



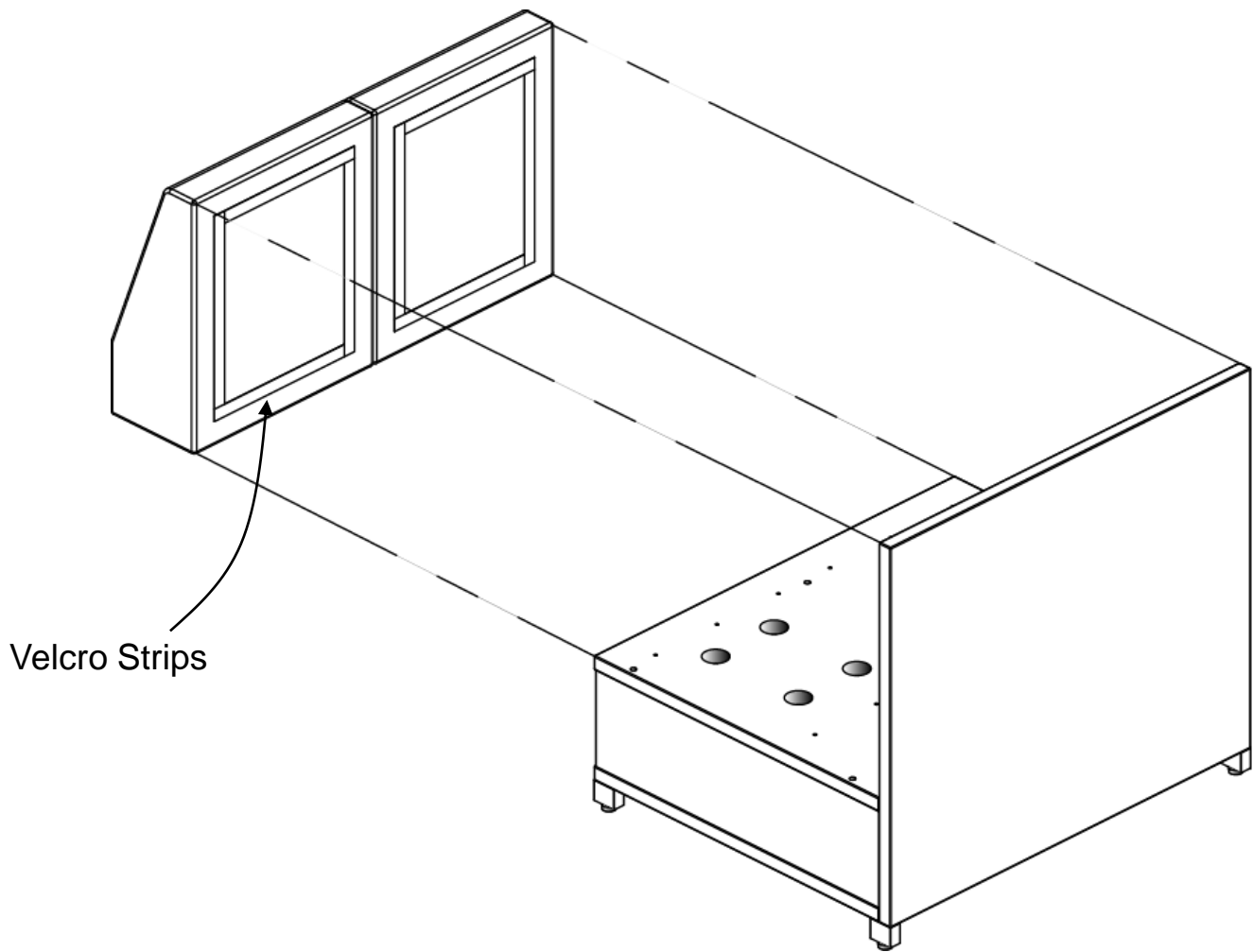
#9 x 1" long Pan Head Screw
4 places
Use on 1 1/8" thick material
(ottoman and couches)

Or

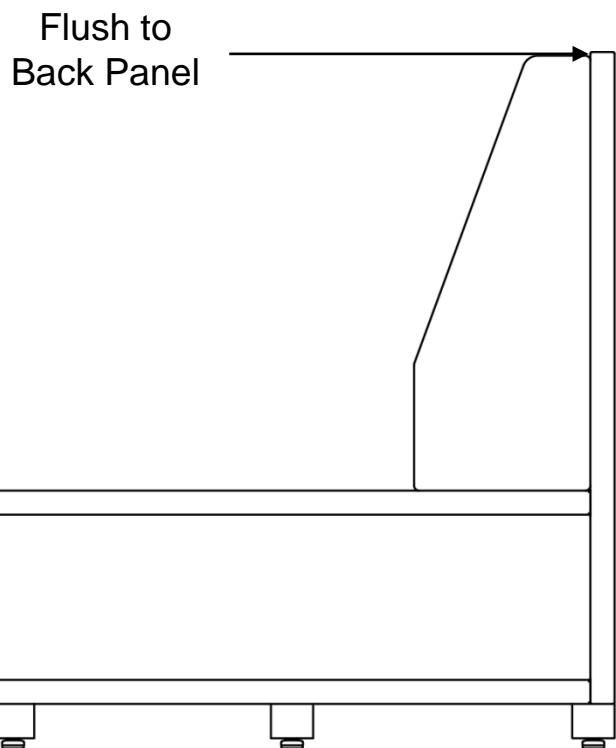


#10 x 5/8" long Flat Head Screw
4 places
Use on 3/4" thick material
(laminated casegoods)

Glide

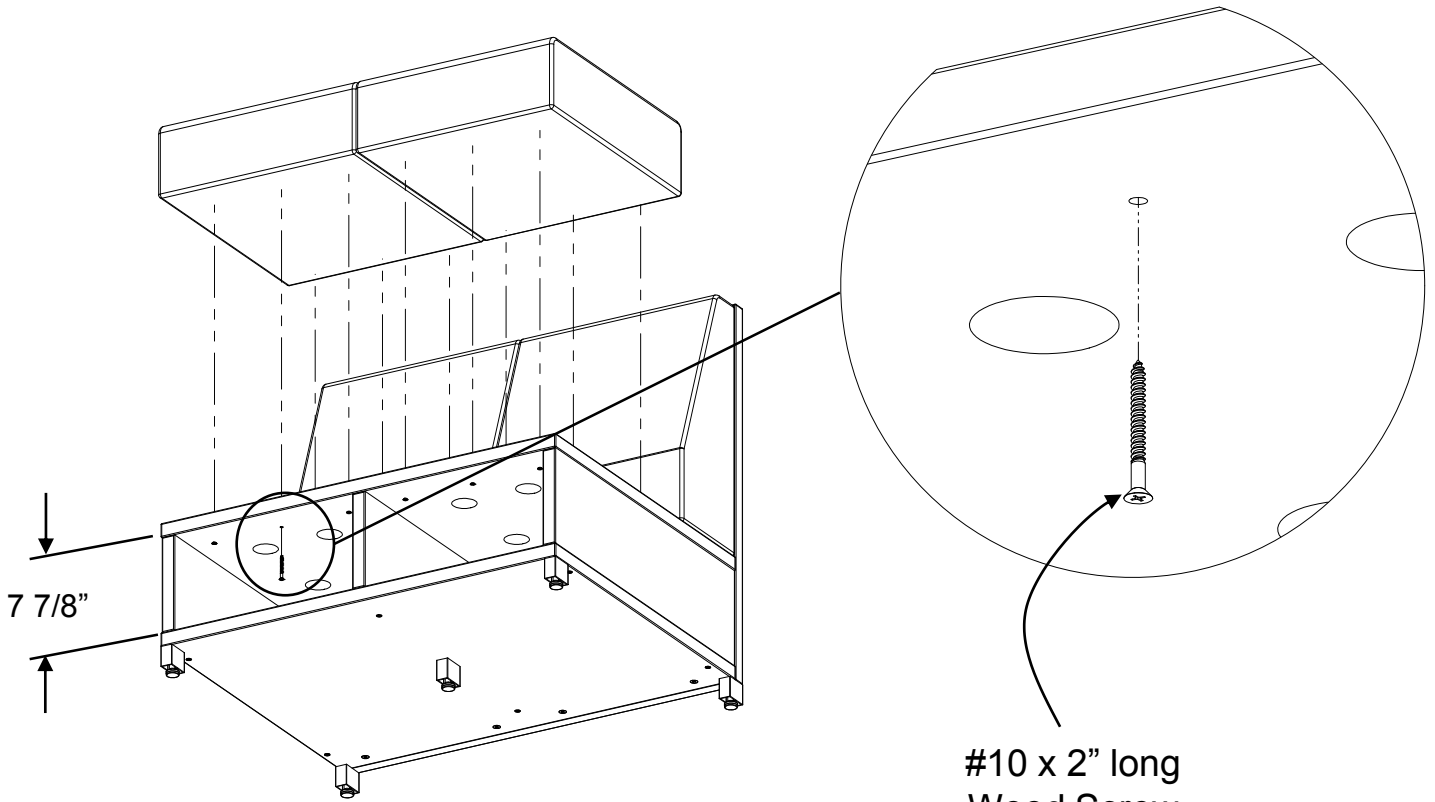


- Remove adhesive backing from Velcro Strips on Cushion.
- Firmly press Cushion onto Back Panel.



LB Lounge Installation

Front Cushion Install



#10 x 2" long
Wood Screw
#2 Philips drive
6 places per cushion
(use small or 90 degree drill)

