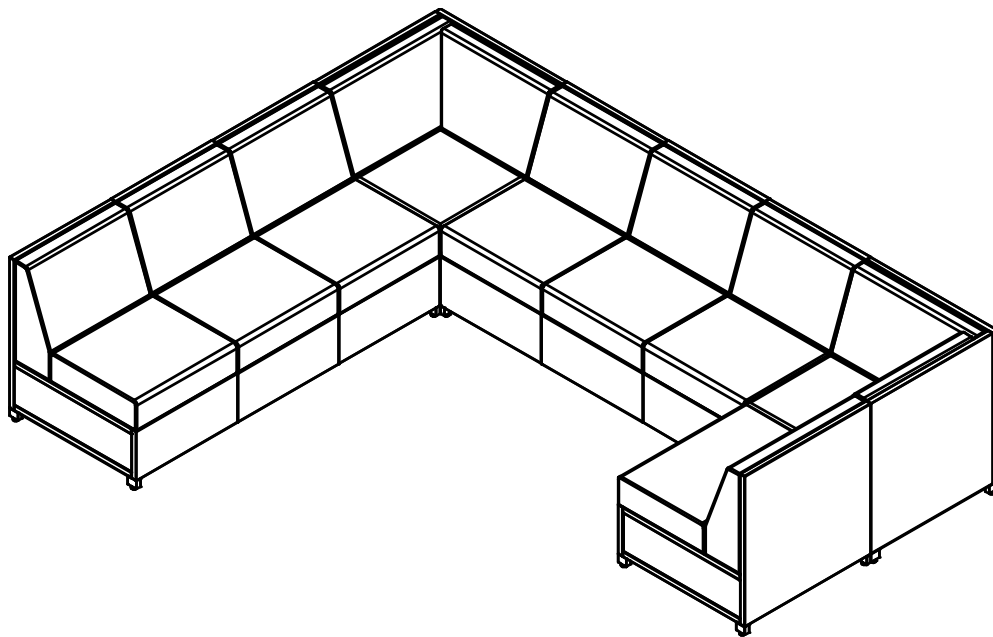








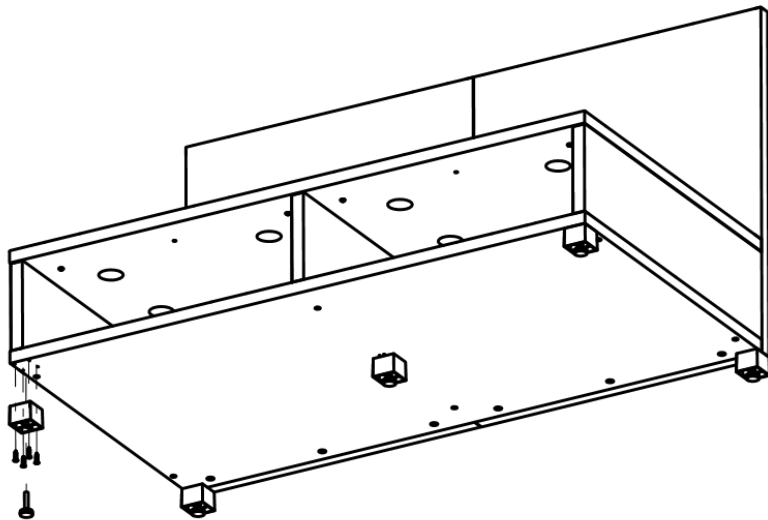
Date	Page No.	Description of change	Name
2/1/18	1-7	Originated	S. Powers
10/9/18	5	Added #9 x 1" screw	S. Powers
1/16/19	7	Changed from Velcro strip to screws	S. Powers
4/11/19	7	Added caution note for front cushion	S. Powers
11/13/2020	1-8	New foot, added corner units, removed pages showing base assembly. Bases ship assembled. Added replacement parts list.	S. Powers
11/23/2020	10	Added ottoman with casters	S. Powers



# LB Lounge Installation

# Parts List

Item	Replacement Part number	Circle Sheet Part Number	Description	Image
P1	WFS-LCF2X2	WFS-LCF2X2	Foot	
P2			#9 x 1" Pan Head Screw	
P3	RH-WSFP1034-C	RH-WSFP1034-C	#10 x 3/4" Flat Head Screw	
P4	RWFS-GL51618-I	RWFS-GL51618-I	Glide	
P5	RP-SMZPP102B	RP-SMZPP102B	#10 x 2" Flat Head Screw	
P6	RH-307141100-I	RH-307141100-I	Caster	



P1 Foot

P2



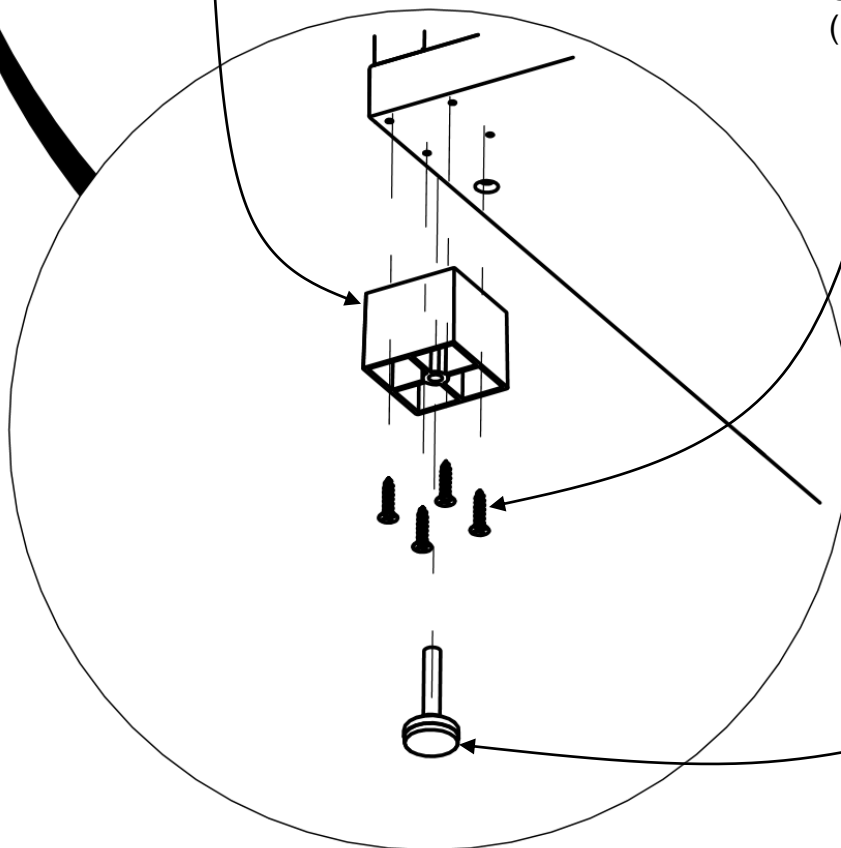
#9 x 1" long Pan Head Screw  
4 places  
Use on 1 1/8" thick material  
(ottoman and couches)

Or

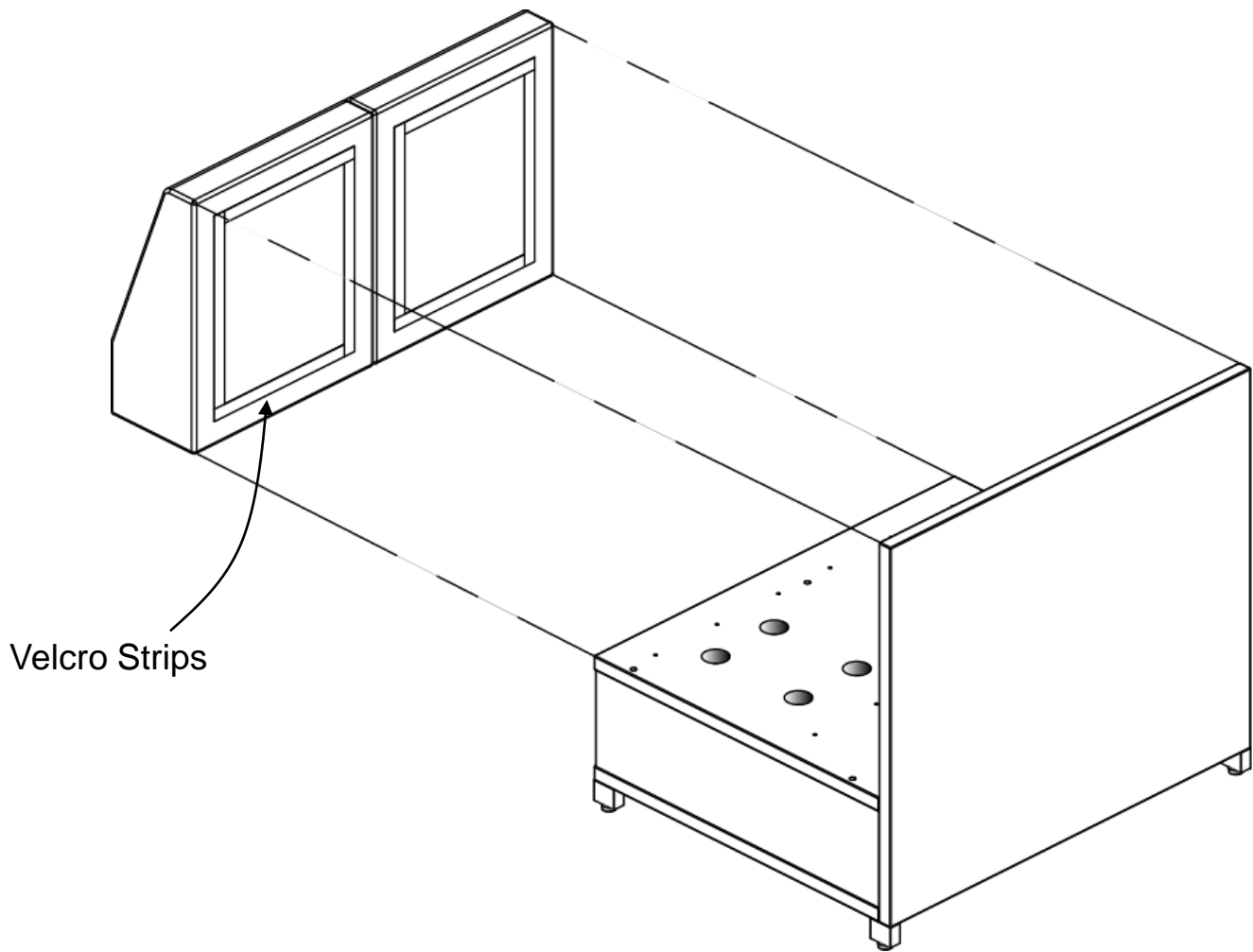
P3



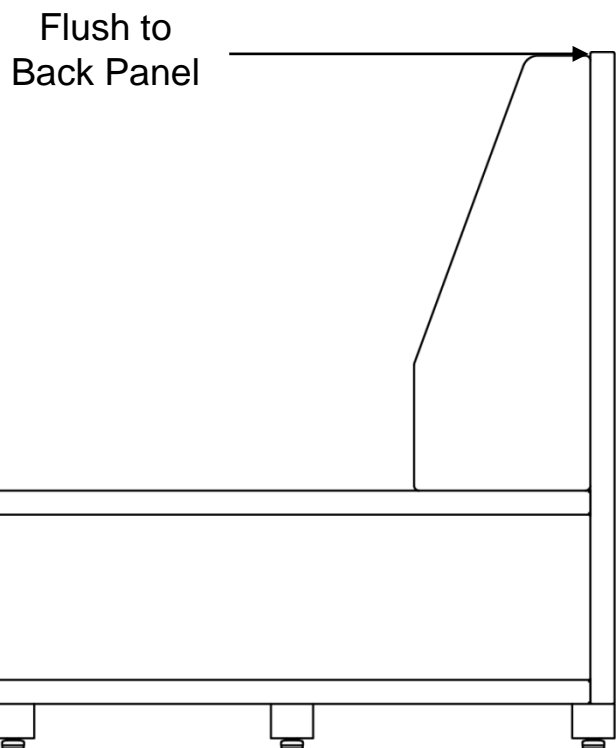
#10 x 3/4" long Flat Head Screw  
4 places  
Use on 3/4" thick material  
(lamine casegoods)



Glide P4



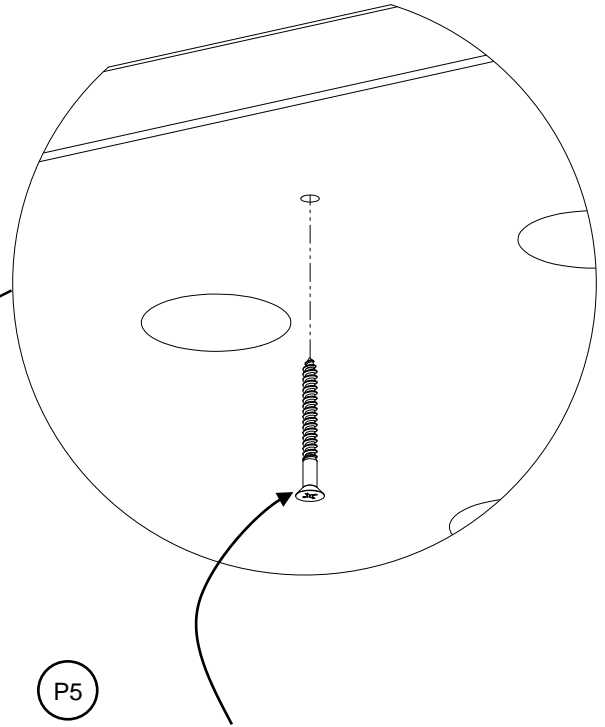
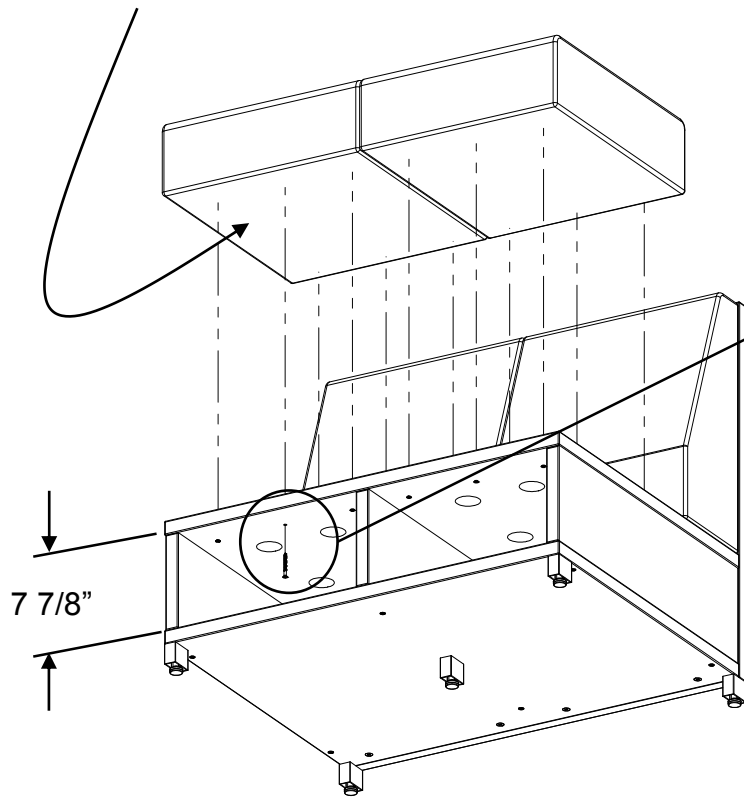
- Remove adhesive backing from Velcro Strips on Cushion.
- Firmly press Cushion onto Back Panel.



# LB Lounge Installation

## Front Cushion Install (open base units)

Bottom side of front cushions are marked: "FRONT"

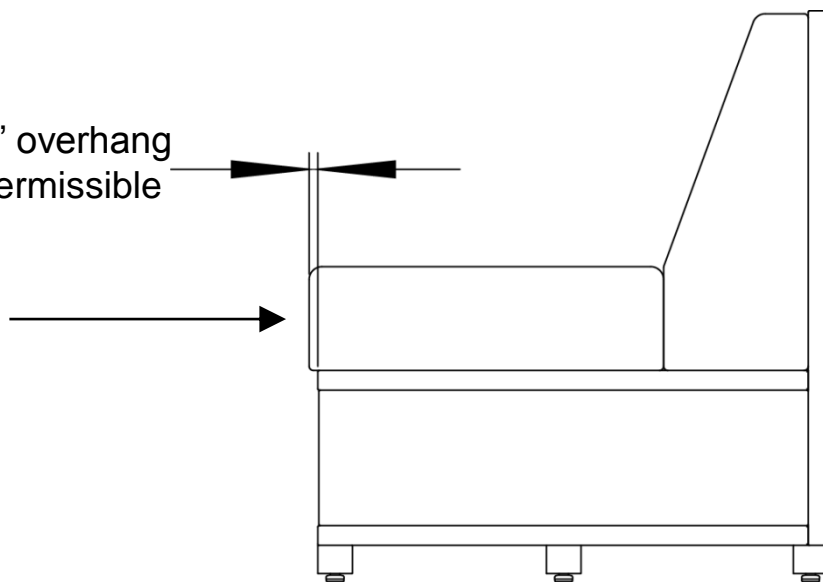


**#10 x 2" long Wood Screw**  
**#2 Philips drive**  
6 places per cushion  
(use small or 90 degree drill)



Push front cushion firmly against back cushion to eliminate any gaps. Ensure foam does not buckle or cause wrinkles. An overhang is permissible

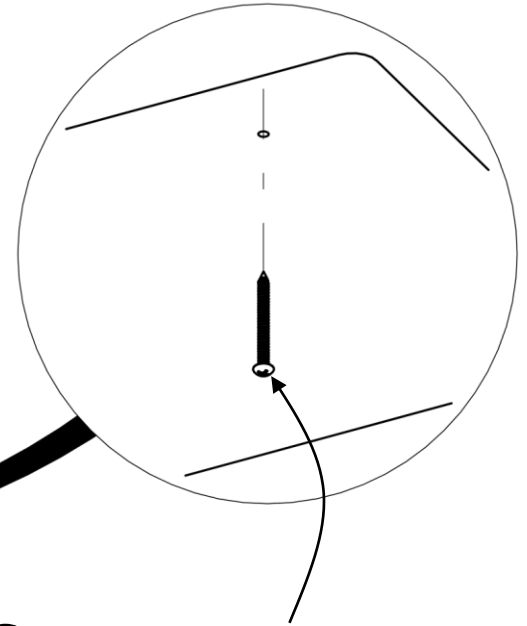
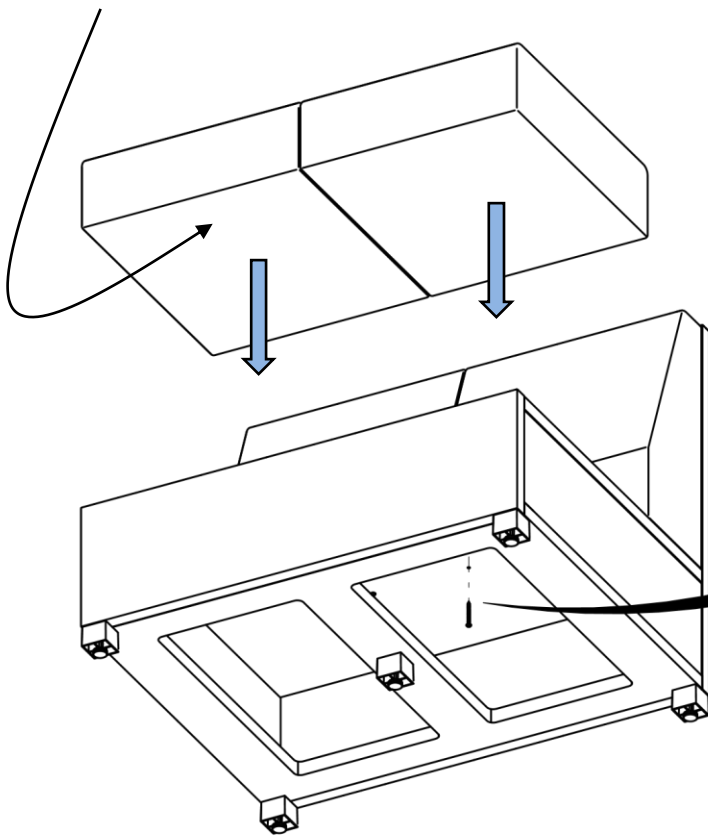
1/2" overhang permissible



# LB Lounge Installation

## Front Cushion Install (solid base units)

Bottom side of front cushions are marked:  
"FRONT"

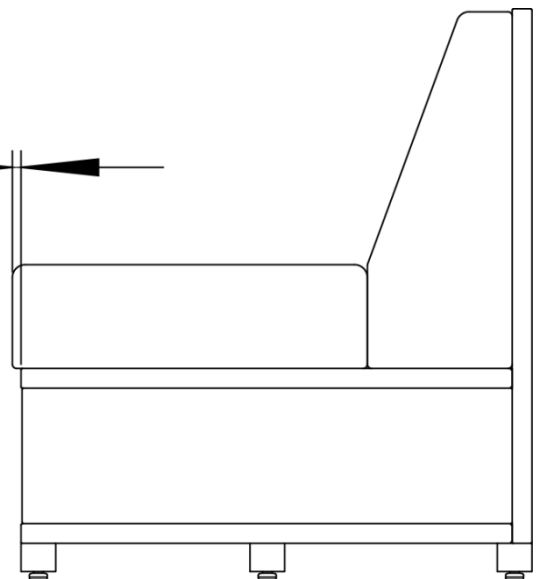


P5 #10 x 2" long wood screw  
#2 Philips drive  
6 places per cushion



Push front cushion firmly against back cushion to eliminate any gaps. Ensure foam does not buckle or cause wrinkles. An overhang is permissible

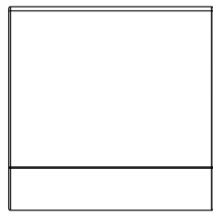
1/2" overhang permissible



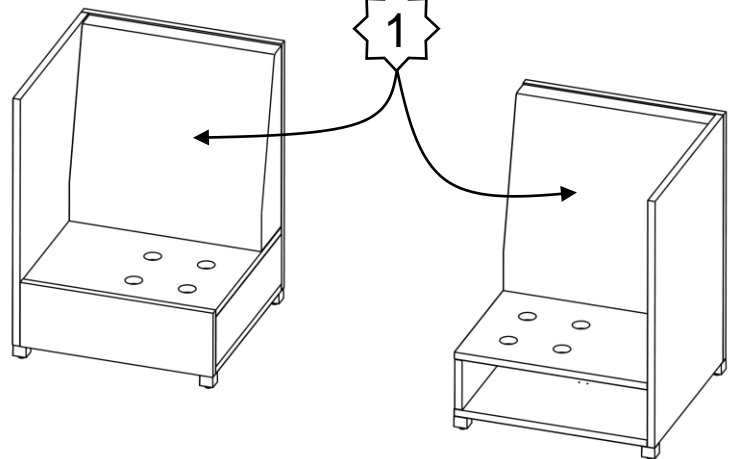
# LB Lounge Installation

## Corner Units Cushion Installation

**Step 1:**  
Install Rear Back Cushion



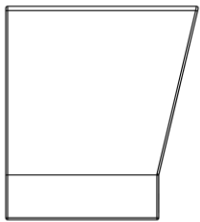
Front View  
Rear Cushion



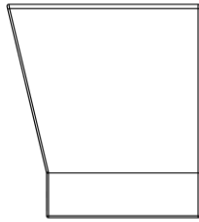
Left Unit

Right Unit

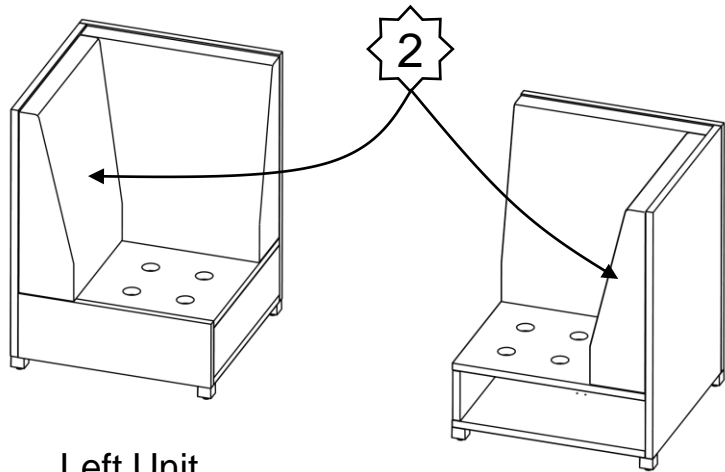
**Step 2:**  
Install Left/Right Back Cushion



Front View  
Left Cushion



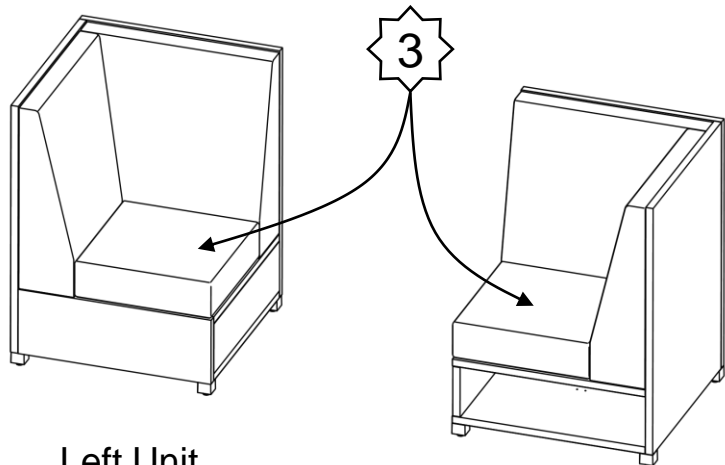
Front View  
Right Cushion



Left Unit

Right Unit

**Step 3:**  
Install Front Cushion



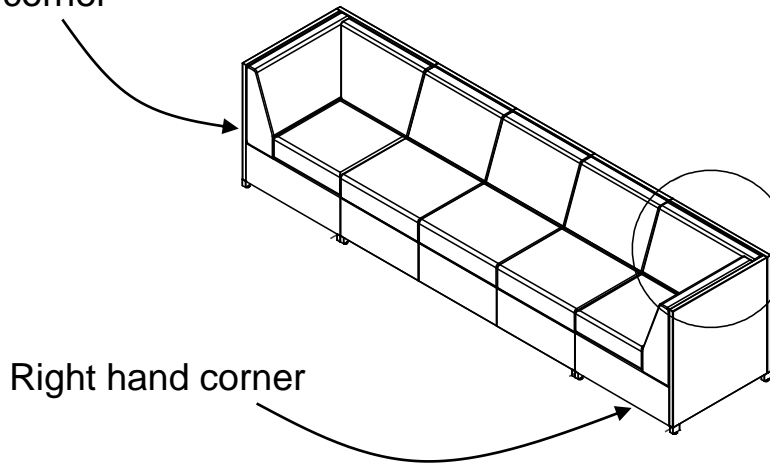
Left Unit

Right Unit

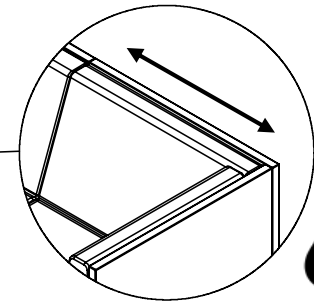
# LB Lounge Installation

## Configuring Corner Units (Solid Bases)

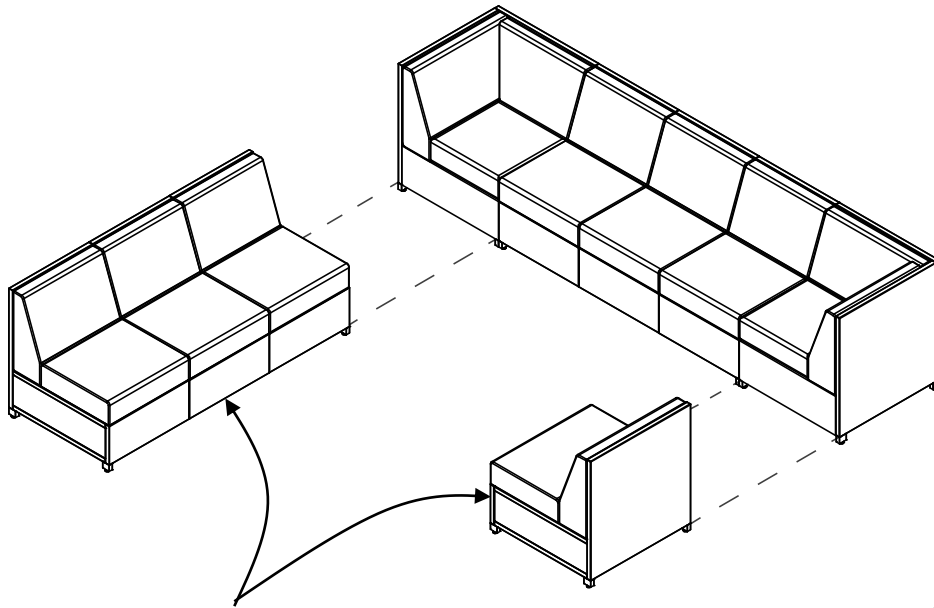
Left hand corner



Back Overlay



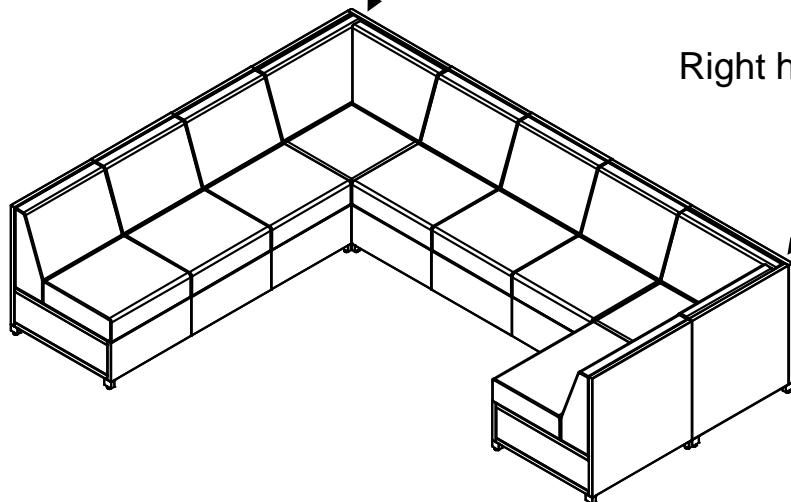
Check to make sure the back of the unit has a continuous overlay. Swap left/right units if necessary.



Adjacent Units (solid bases)

Left hand corner

Right hand corner

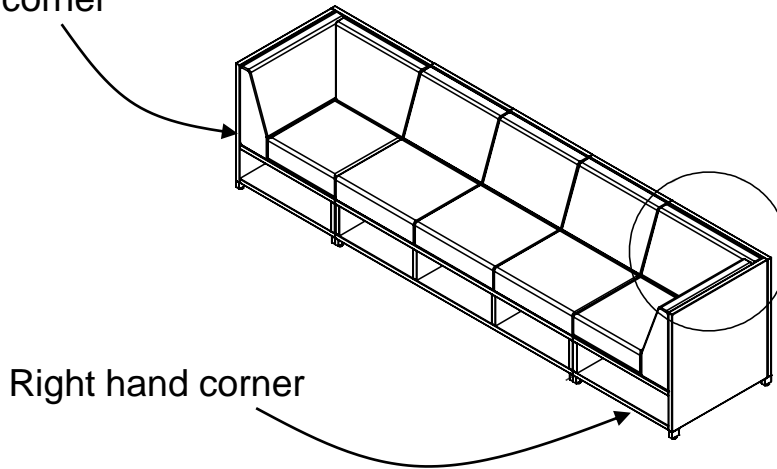




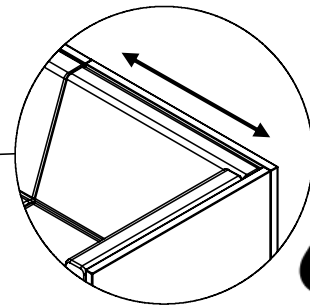
# LB Lounge Installation

## Configuring Corner Units (Open Bases)

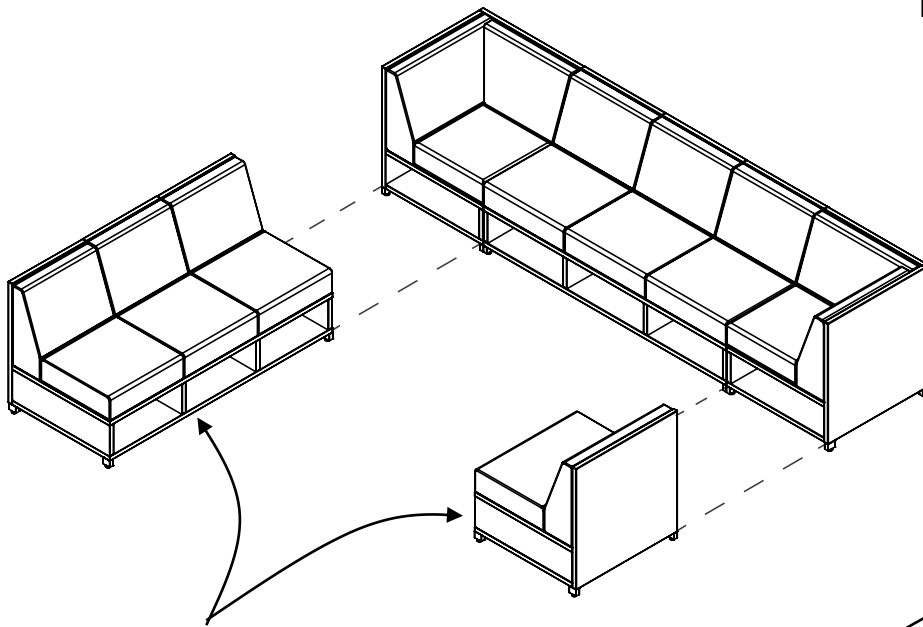
Left hand corner



Back Overlay



Check to make sure the back of the unit has a continuous overlay. Swap left/right units if necessary.



Adjacent Units  
(solid bases)

Left hand corner

Right hand corner

