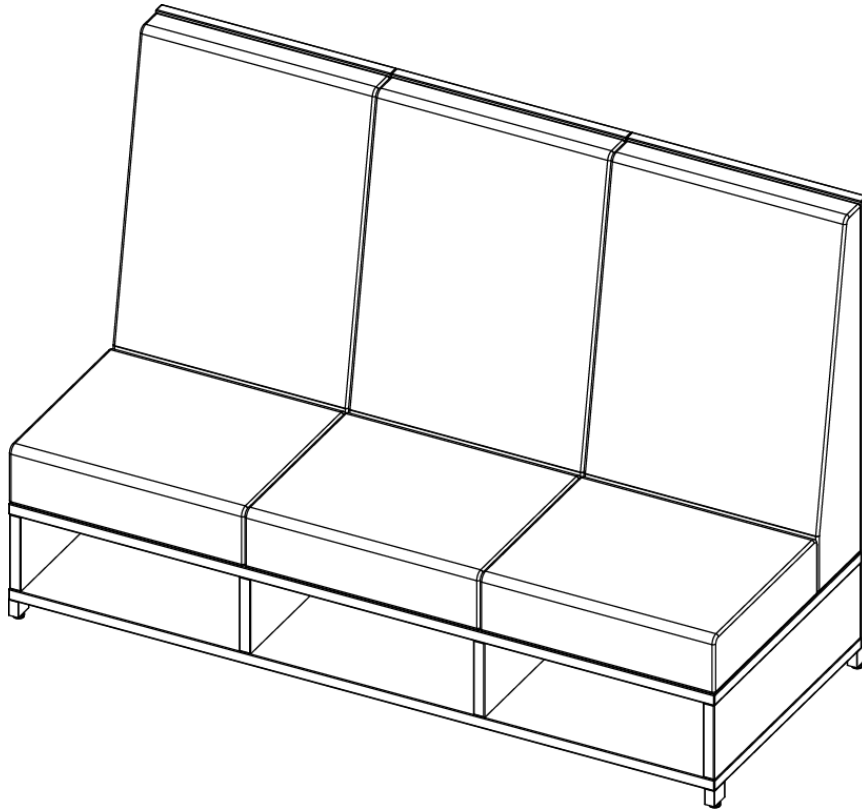
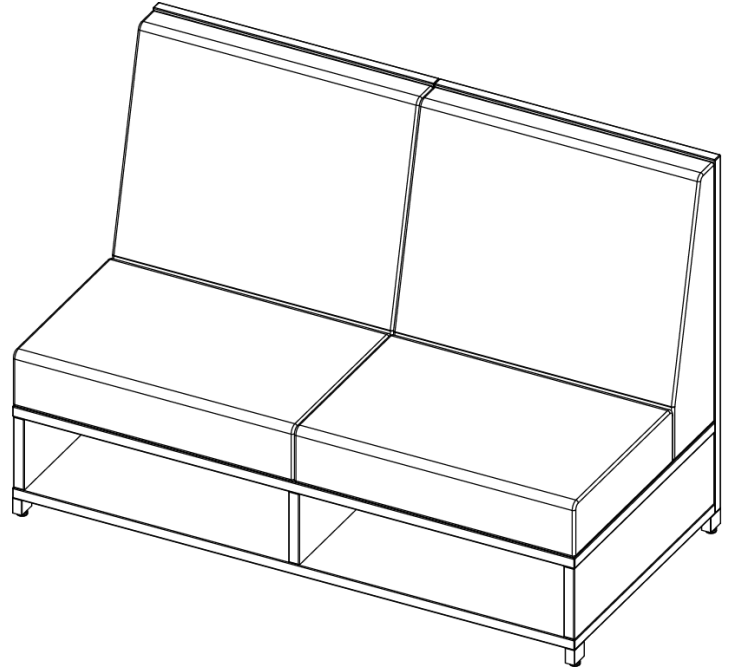
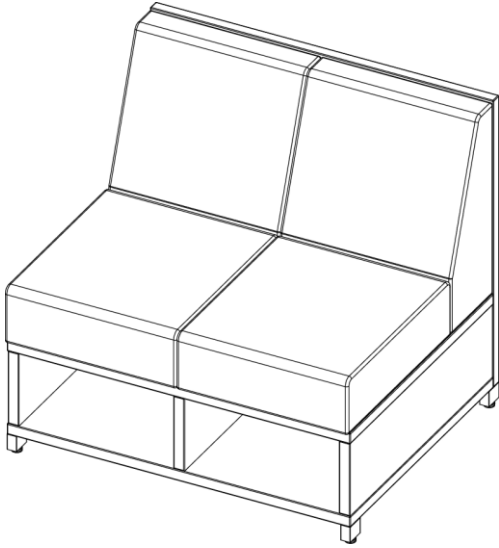


LB Lounge Installation



| Date | Page No. | Description of change | Name |
|---------|----------|--------------------------------------|-----------|
| 2/1/18 | 1-7 | Originated | S. Powers |
| 10/9/18 | 5 | Added #9 x 1" screw | S. Powers |
| 1/16/19 | 7 | Changed from Velcro strip to screws | S. Powers |
| 4/11/19 | 7 | Added caution note for front cushion | S. Powers |

LB Lounge Installation

Back Panel Install

Back Panel
For 36-42W

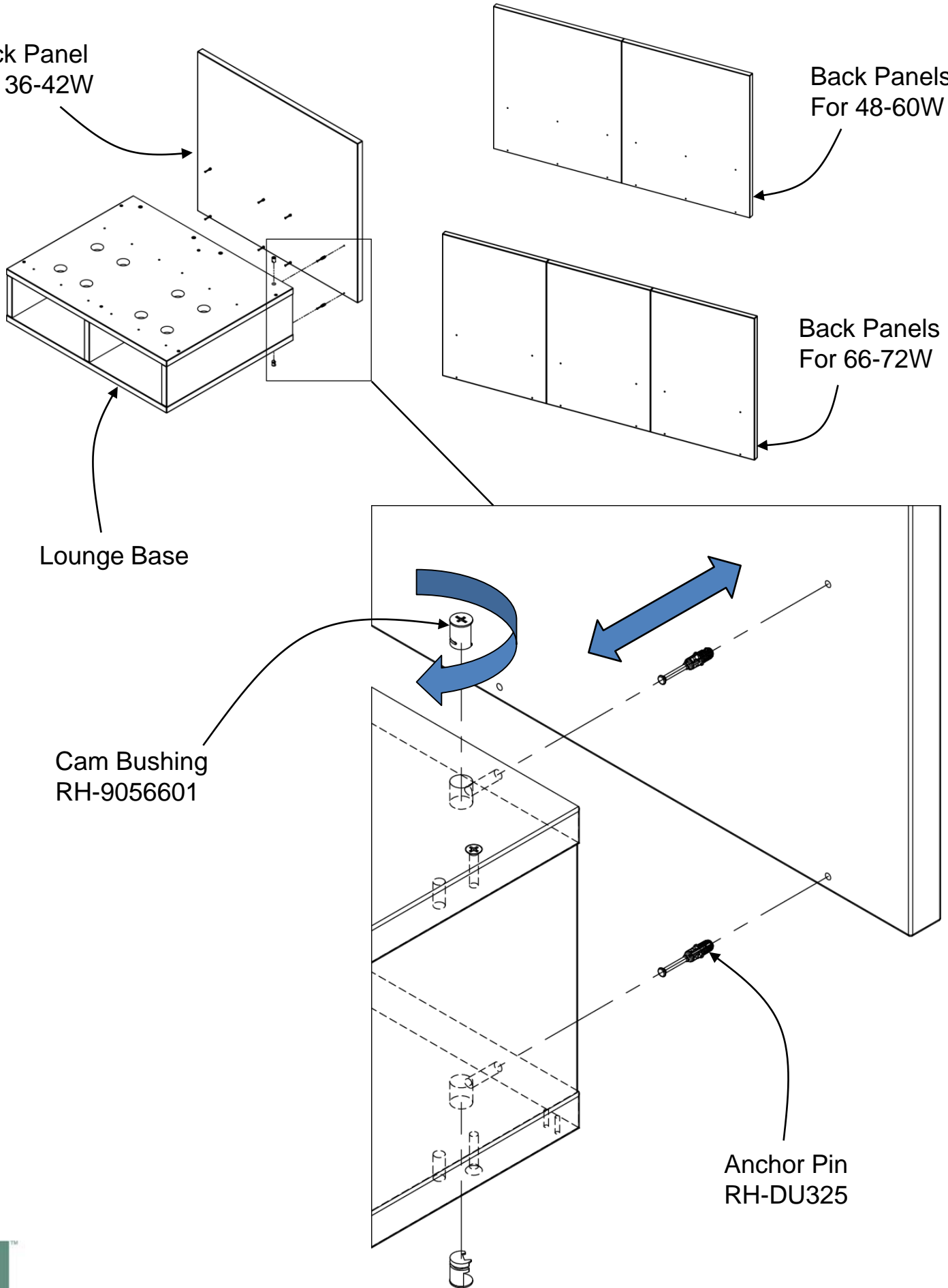
Back Panels
For 48-60W

Back Panels
For 66-72W

Lounge Base

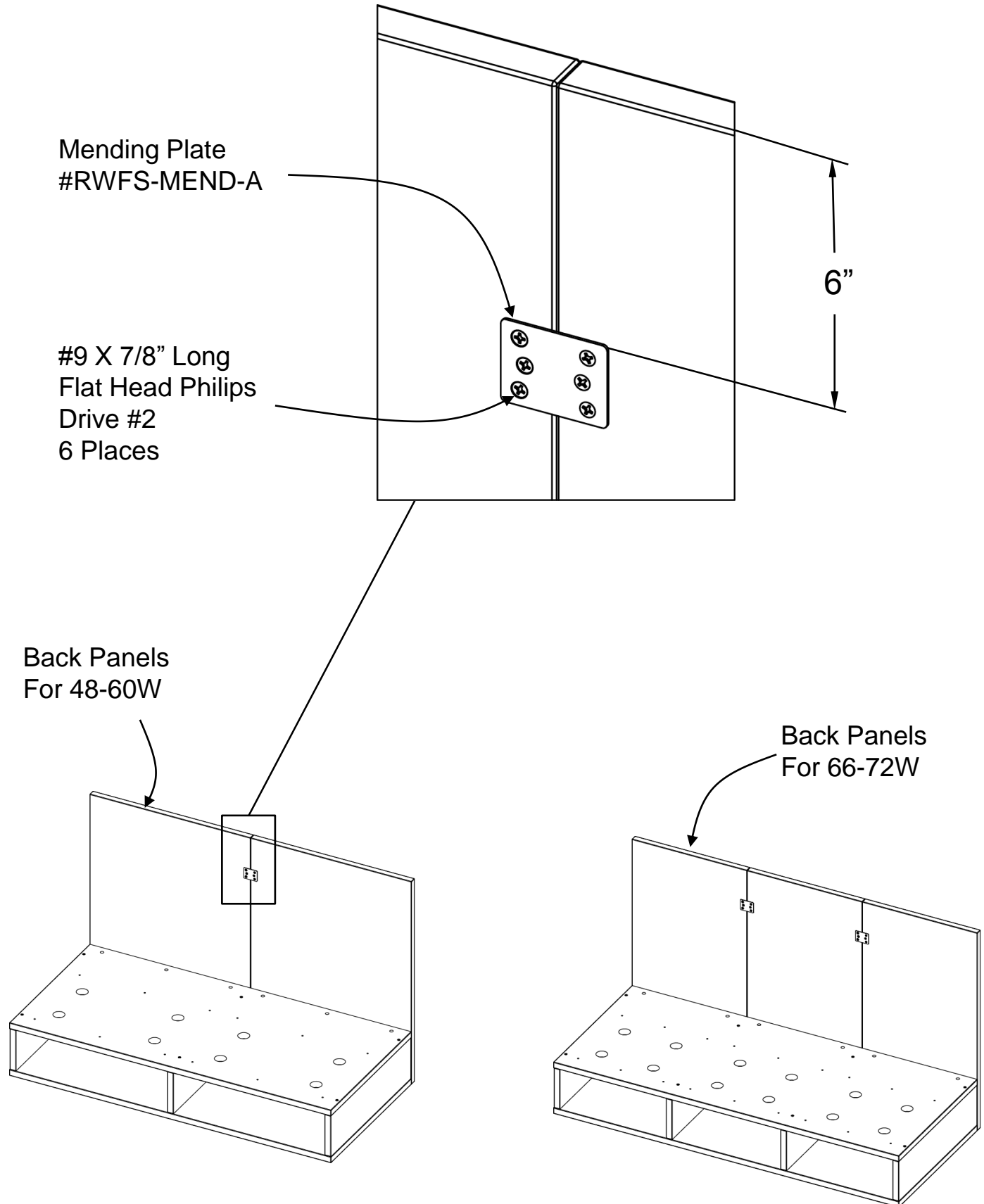
Cam Bushing
RH-9056601

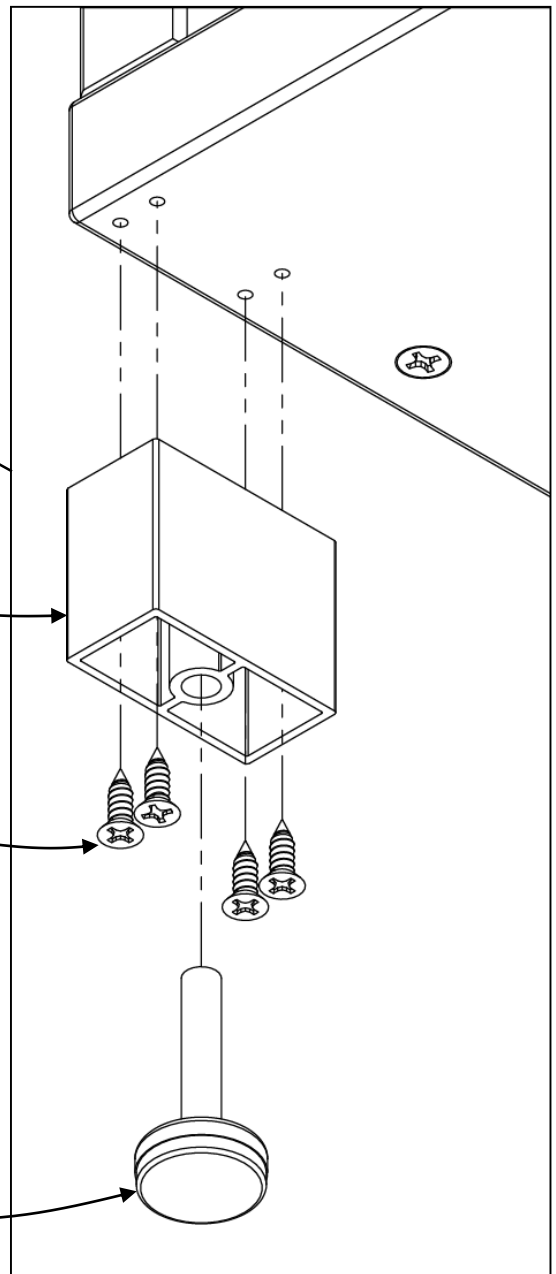
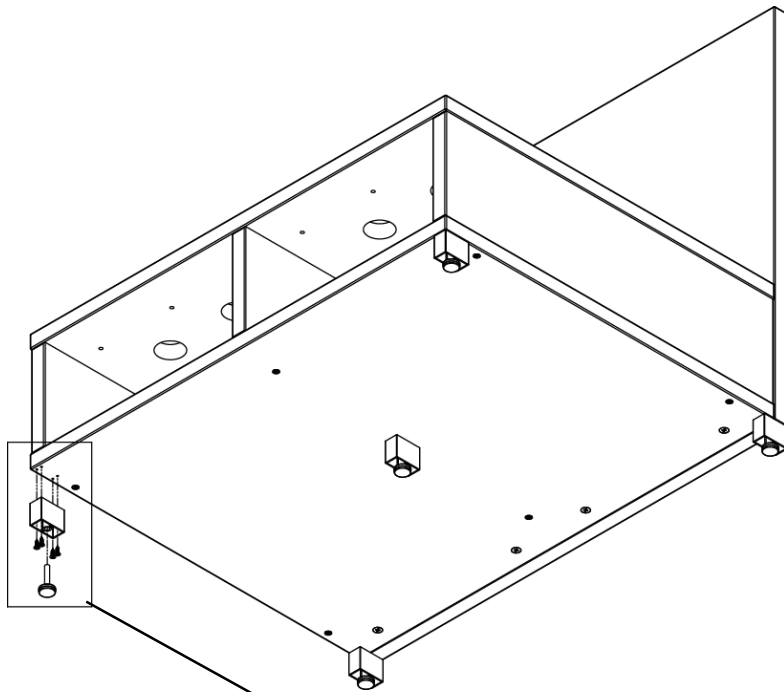
Anchor Pin
RH-DU325



LB Lounge Installation

Mending Plate Install





Foot



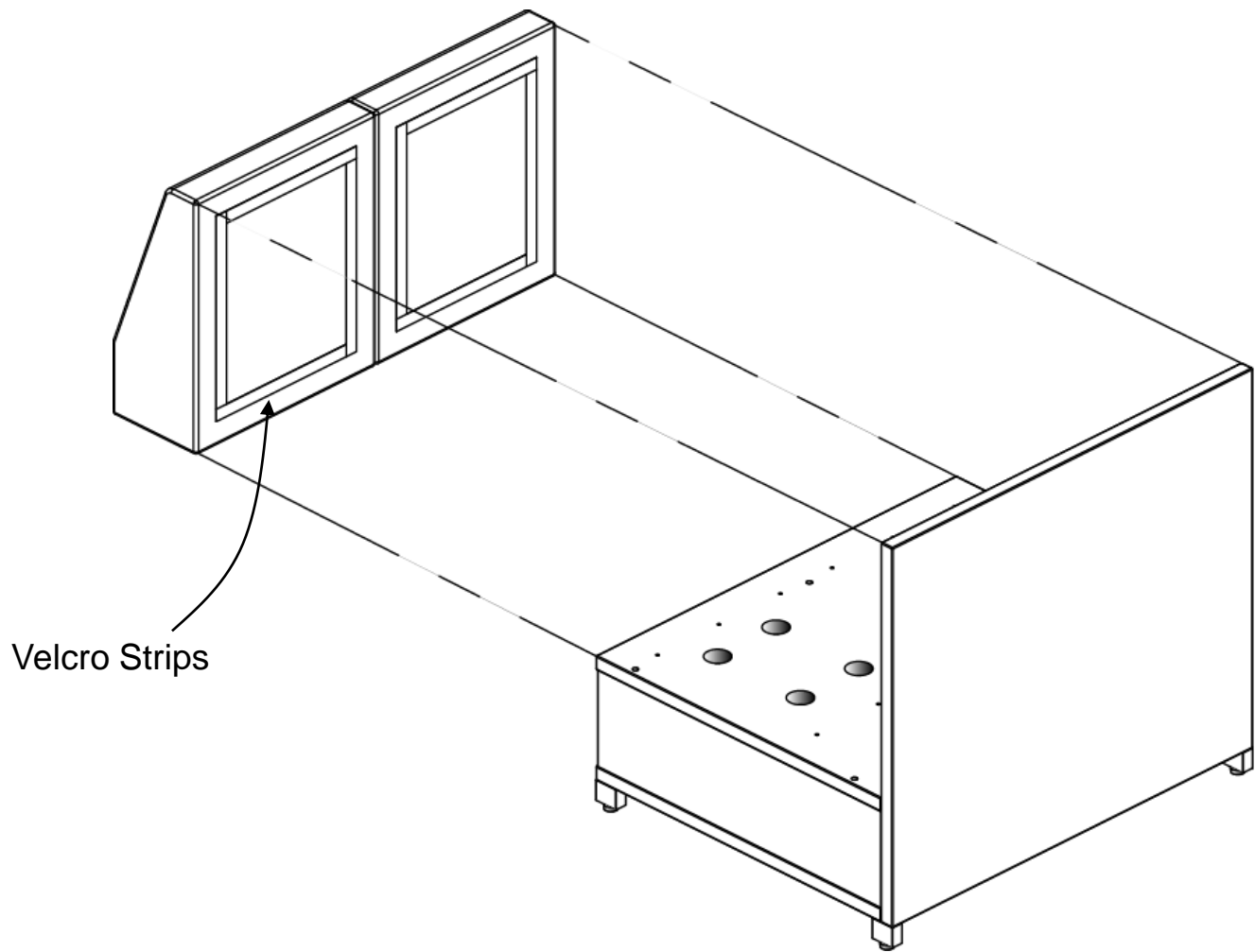
#9 x 1" long Pan Head Screw
4 places
Use on 1 1/8" thick material
(ottoman and couches)

Or

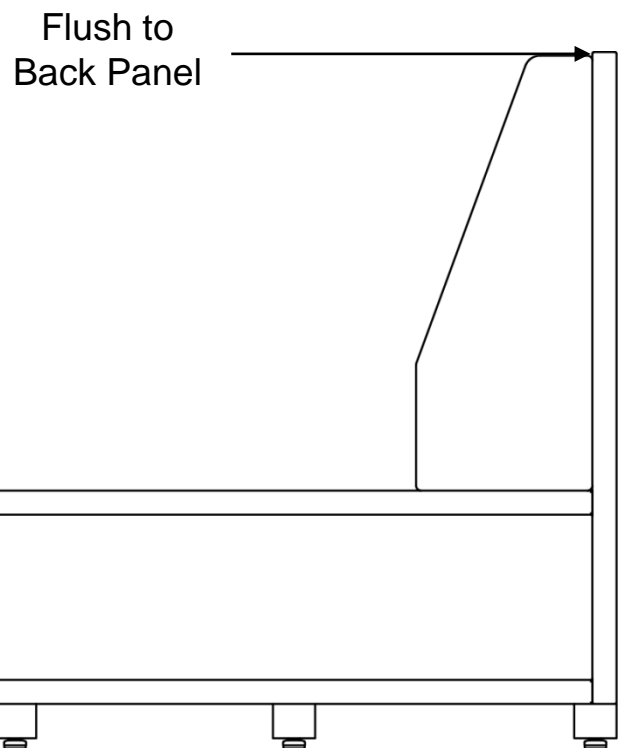


#10 x 5/8" long Flat Head Screw
4 places
Use on 3/4" thick material
(lamine casegoods)

Glide

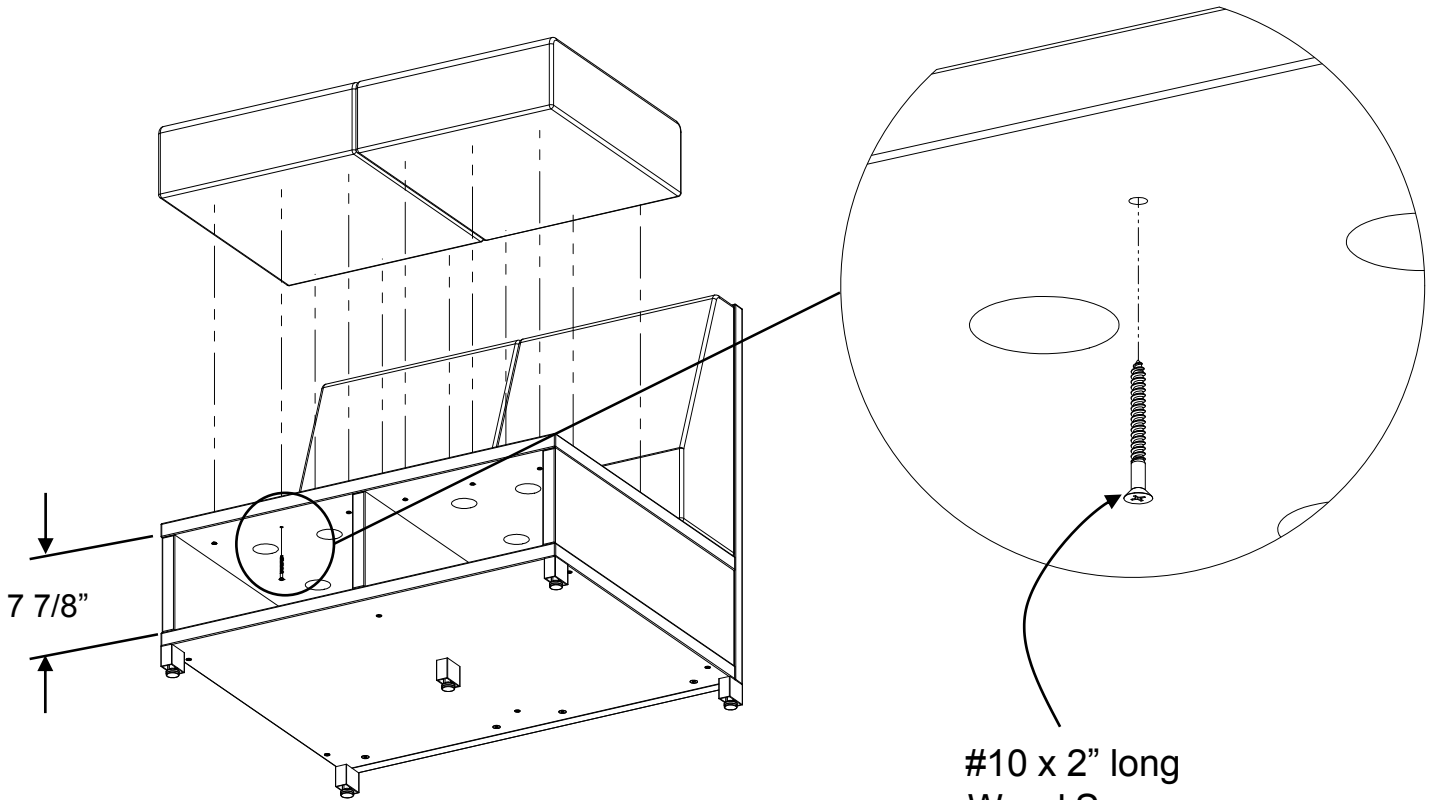


- Remove adhesive backing from Velcro Strips on Cushion.
- Firmly press Cushion onto Back Panel.



LB Lounge Installation

Front Cushion Install



#10 x 2" long
Wood Screw
#2 Philips drive
6 places per cushion
(use small or 90 degree drill)



Push front cushion firmly against back cushion to eliminate any gaps. Ensure foam does not buckle or cause wrinkles. An overhang is permissible

overhang permissible

