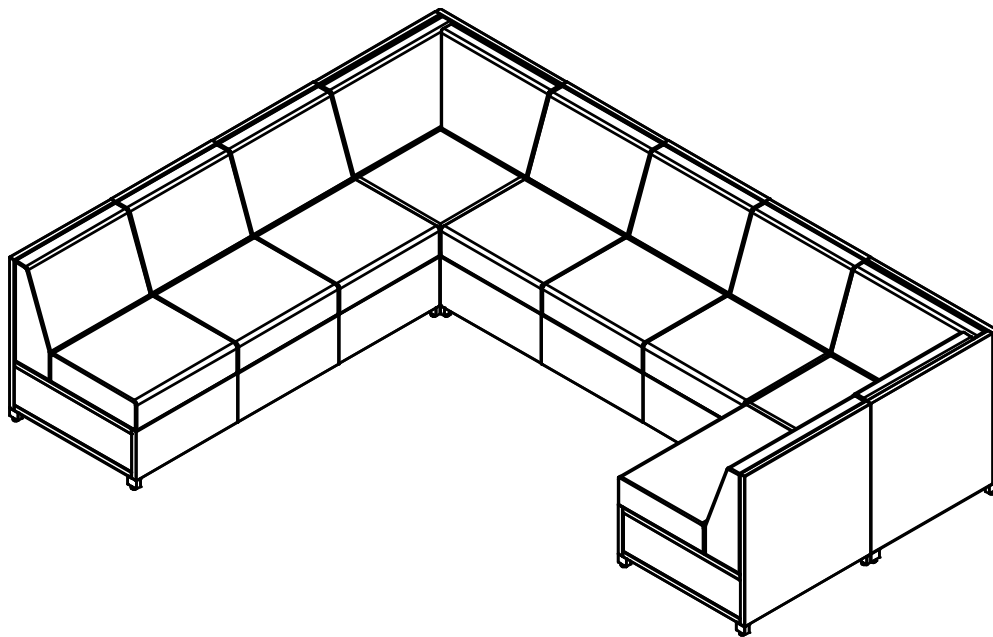







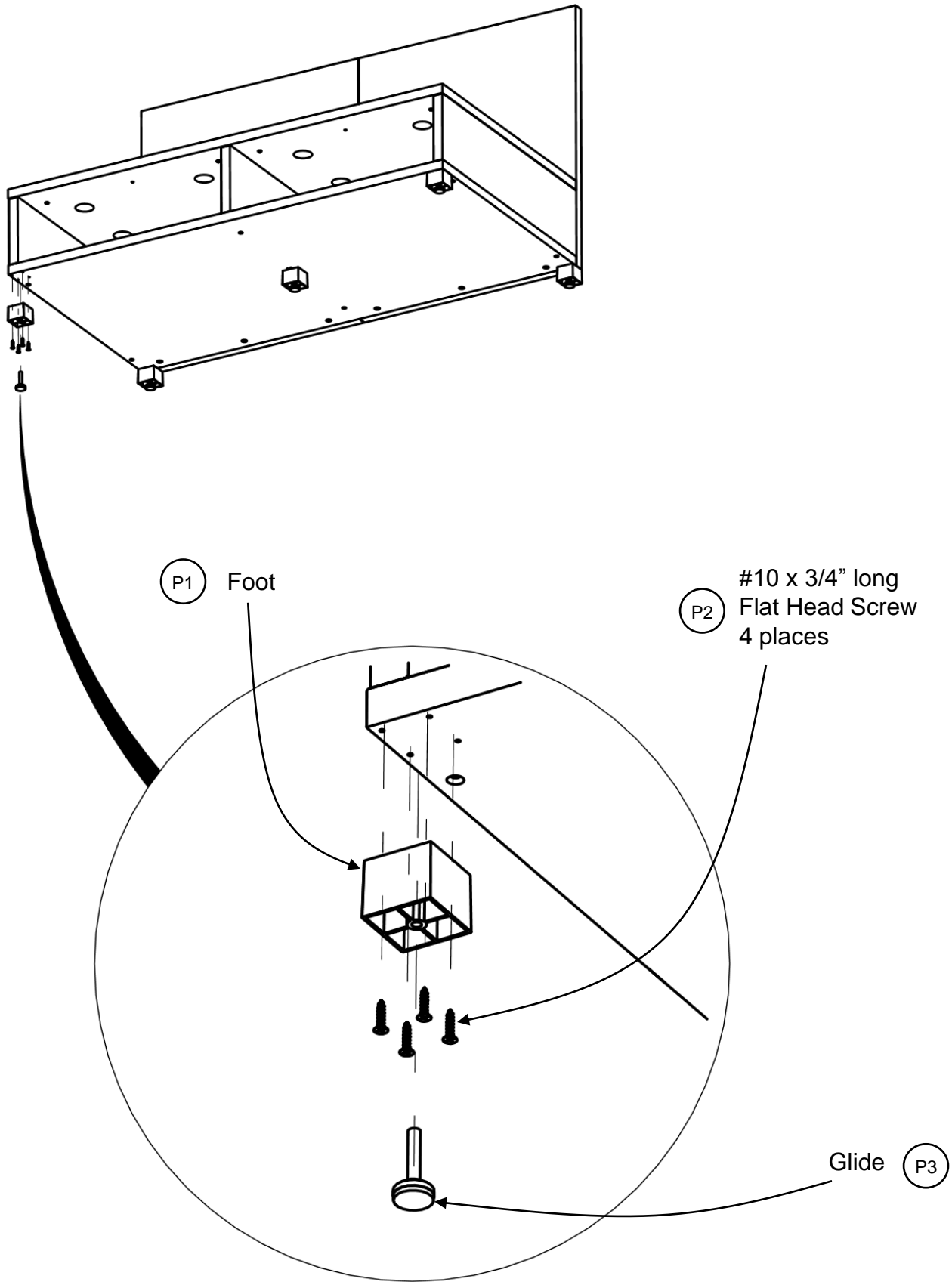
Date	Page No.	Description of change	Name
2/1/18	1-7	Originated	S. Powers
10/9/18	5	Added #9 x 1" screw	S. Powers
1/16/19	7	Changed from Velcro strip to screws	S. Powers
4/11/19	7	Added caution note for front cushion	S. Powers
11/13/2020	1-8	New foot, added corner units, removed pages showing base assembly. Bases ship assembled. Added replacement parts list.	S. Powers
11/23/2020	10	Added ottoman with casters	S. Powers
7/29/2022	3	Remove #9 x 1" screw	S. Powers

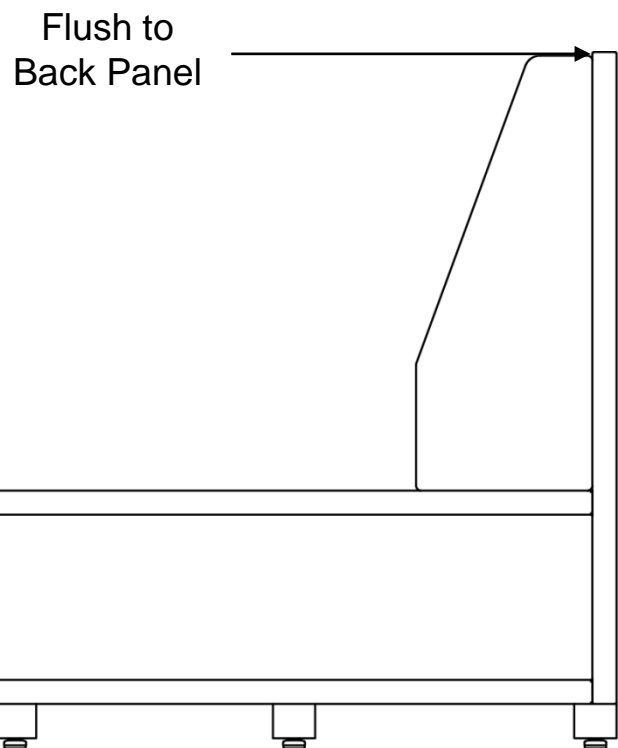
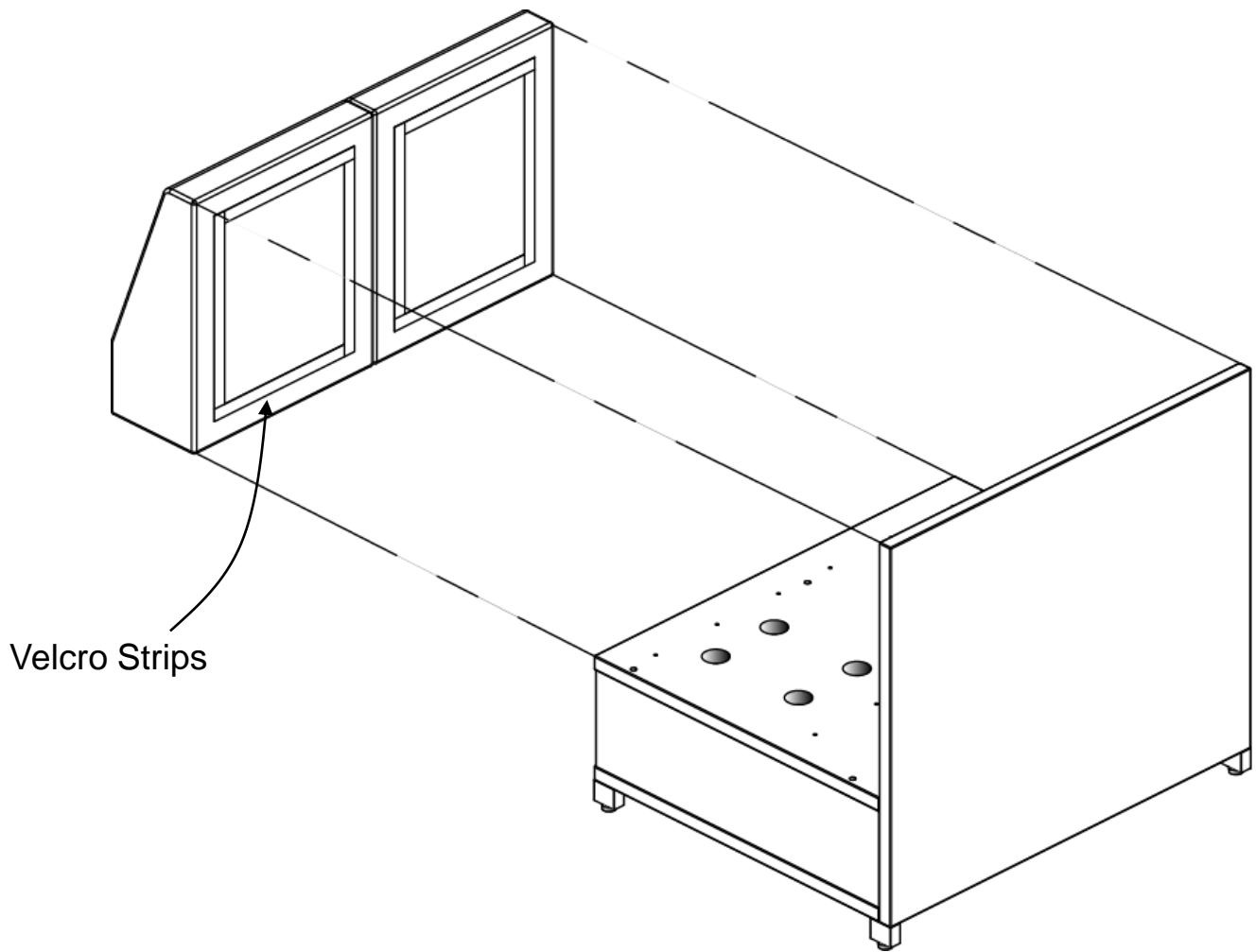


LB Lounge Installation

Parts List

Item	Replacement Part number	Circle Sheet Part Number	Description	Image
P1	WFS-LCF2X2	WFS-LCF2X2	Foot	
P2	RH-WSFP1034-C	RH-WSFP1034-C	#10 x 3/4" Flat Head Screw	
P3	RWFS-GL51618-I	RWFS-GL51618-I	Glide	
P4	RP-SMZPP102B	RP-SMZPP102B	#10 x 2" Flat Head Screw	
P5	RH-307141100-I	RH-307141100-I	Caster	



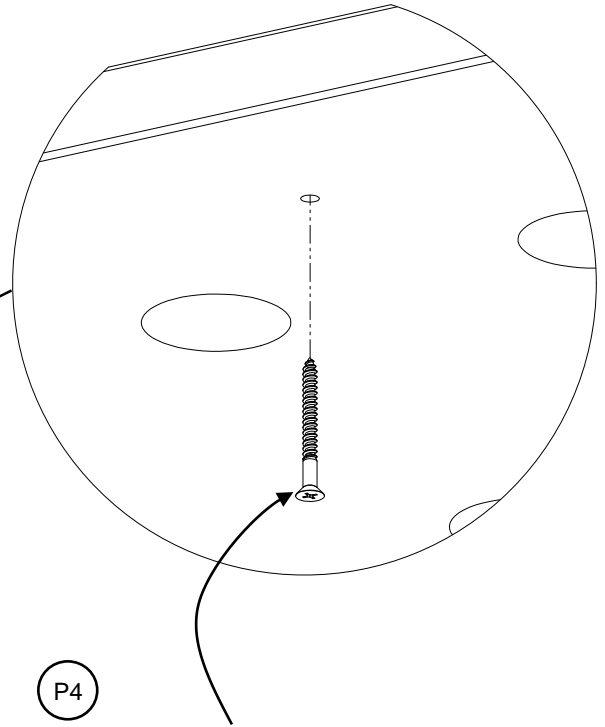
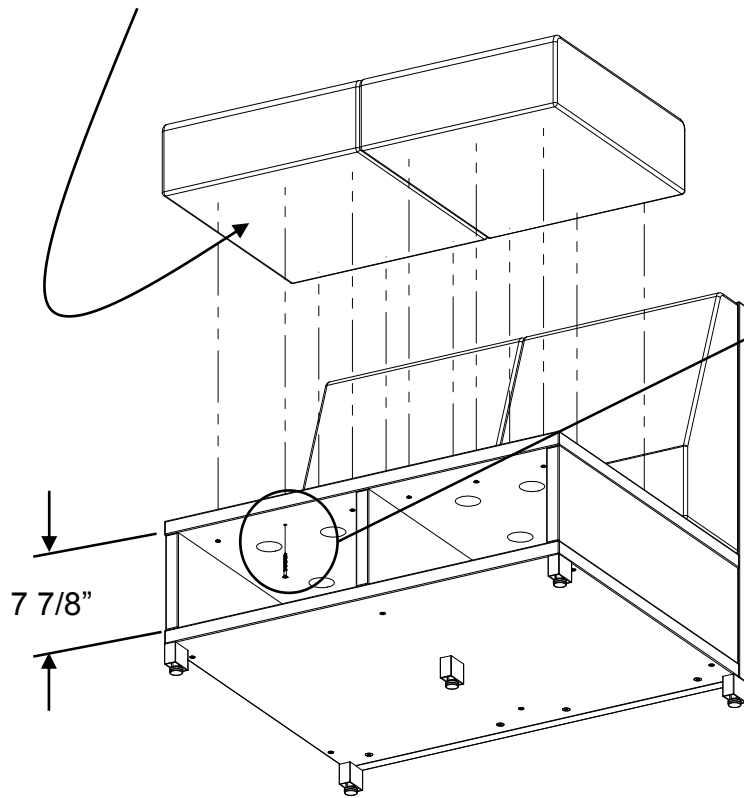


- Remove adhesive backing from Velcro Strips on Cushion.
- Firmly press Cushion onto Back Panel.

LB Lounge Installation

Front Cushion Install (open base units)

Bottom side of front cushions are marked: "FRONT"

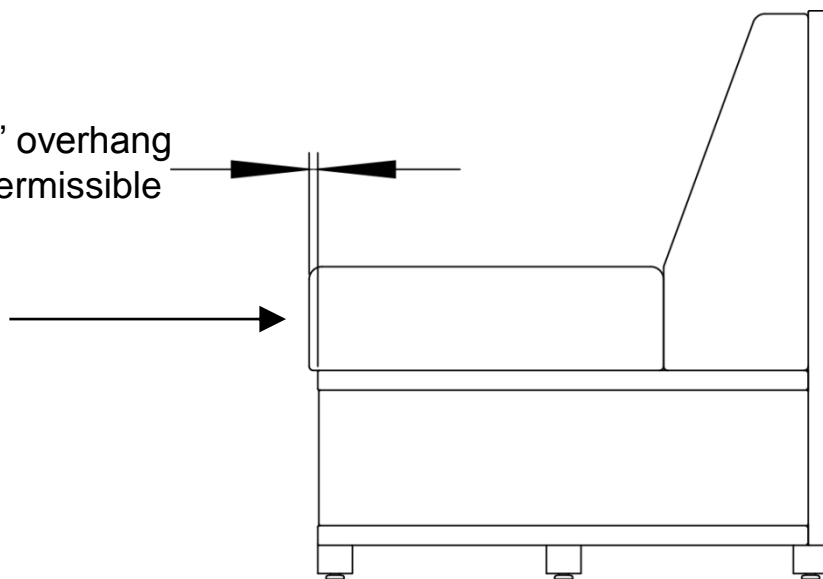


#10 x 2" long Wood Screw
#2 Philips drive
6 places per cushion
(use small or 90 degree drill)



Push front cushion firmly against back cushion to eliminate any gaps. Ensure foam does not buckle or cause wrinkles. An overhang is permissible

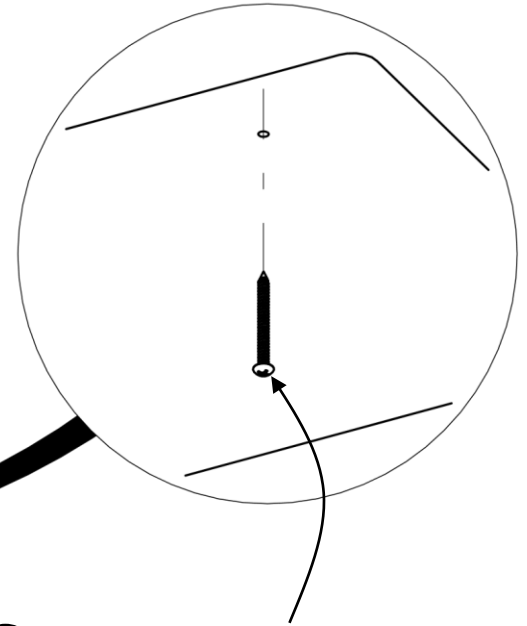
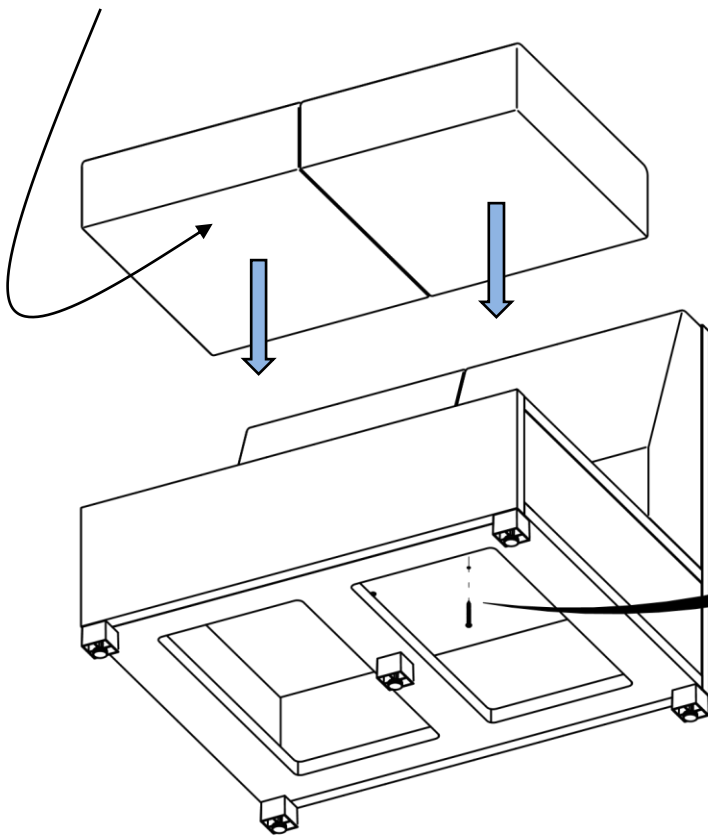
1/2" overhang permissible



LB Lounge Installation

Front Cushion Install (solid base units)

Bottom side of front cushions are marked: "FRONT"

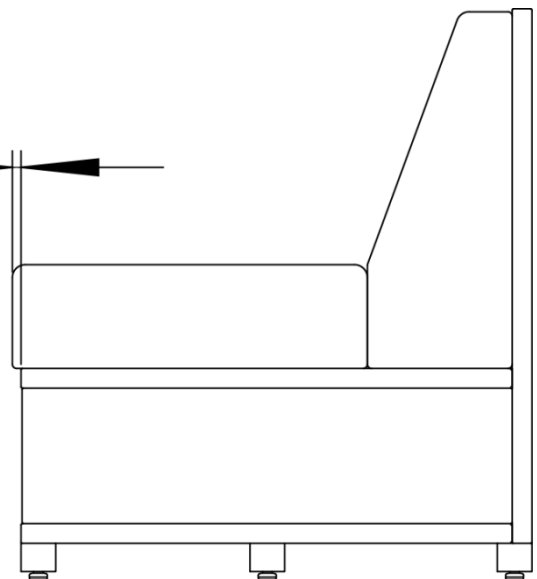


P4 #10 x 2" long wood screw
#2 Philips drive
6 places per cushion



Push front cushion firmly against back cushion to eliminate any gaps. Ensure foam does not buckle or cause wrinkles. An overhang is permissible

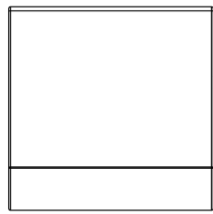
1/2" overhang permissible



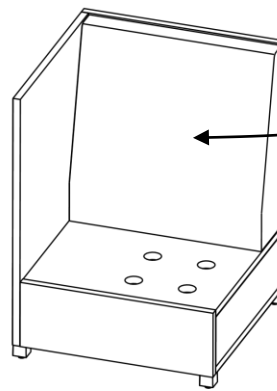
LB Lounge Installation

Corner Units Cushion Installation

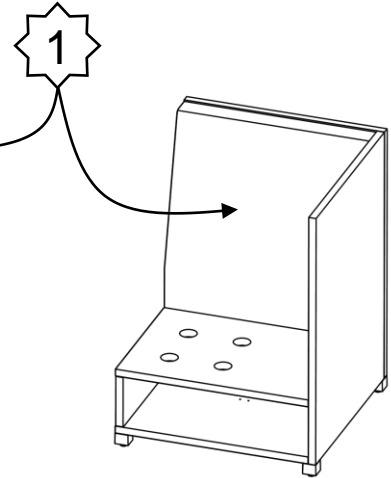
Step 1:
Install Rear Back Cushion



Front View
Rear Cushion

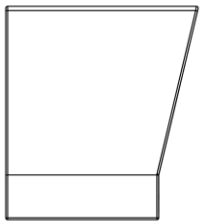


Left Unit

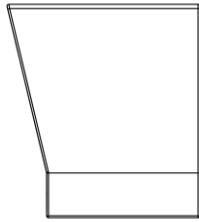


Right Unit

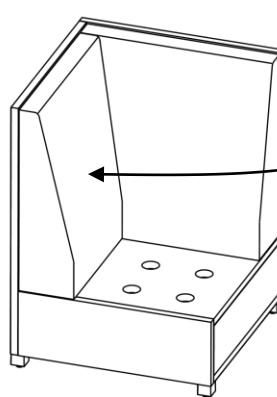
Step 2:
Install Left/Right Back Cushion



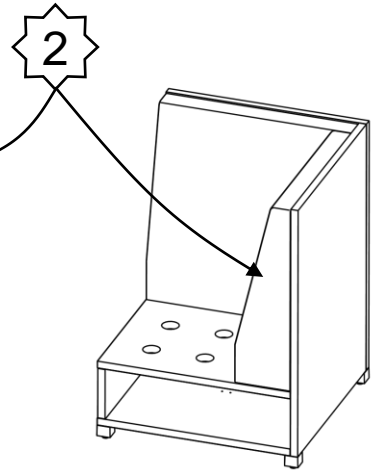
Front View
Left Cushion



Front View
Right Cushion

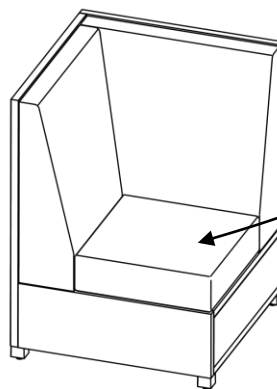


Left Unit

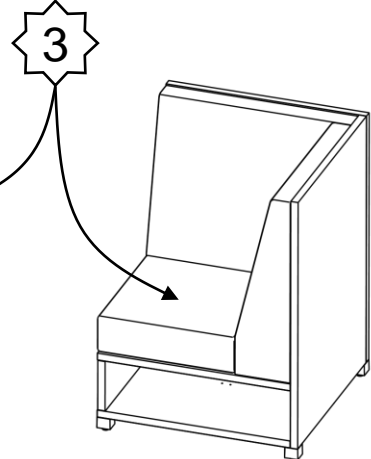


Right Unit

Step 3:
Install Front Cushion



Left Unit

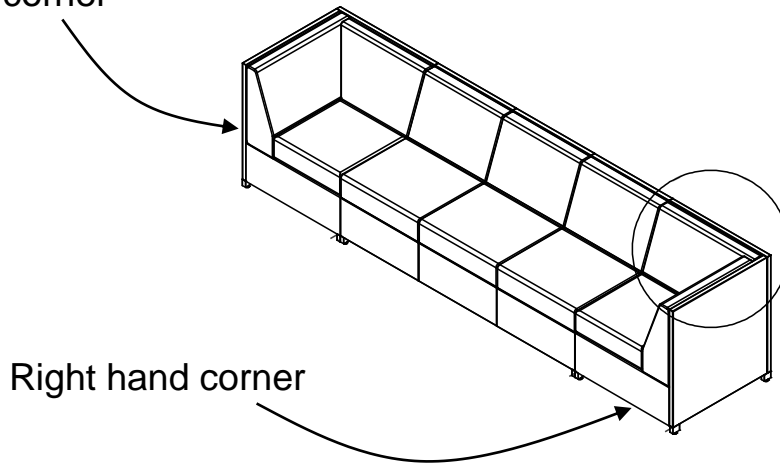


Right Unit

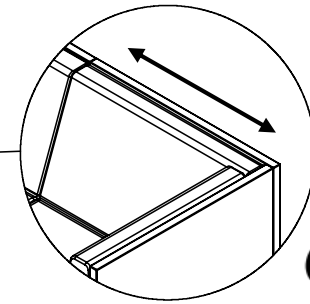
LB Lounge Installation

Configuring Corner Units (Solid Bases)

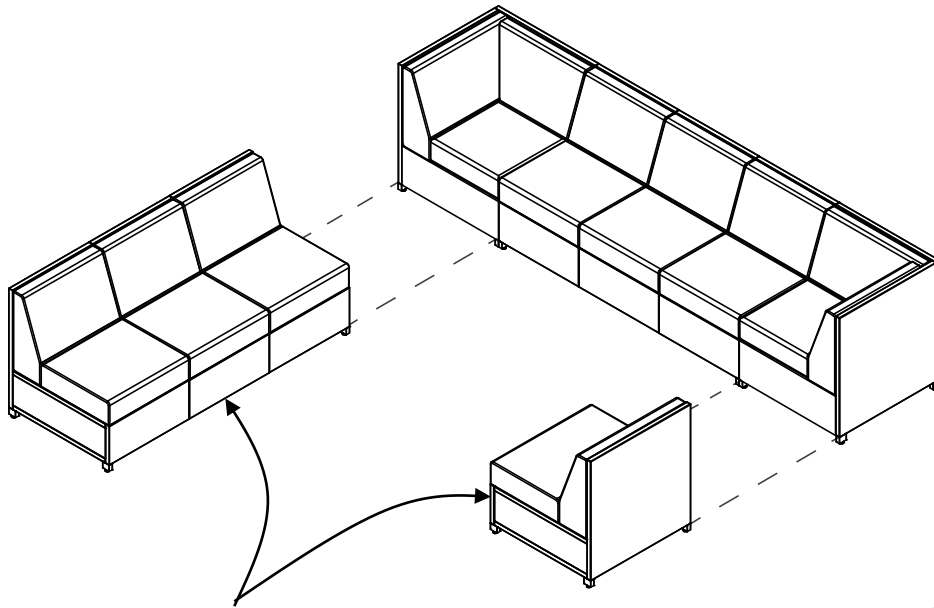
Left hand corner



Back Overlay



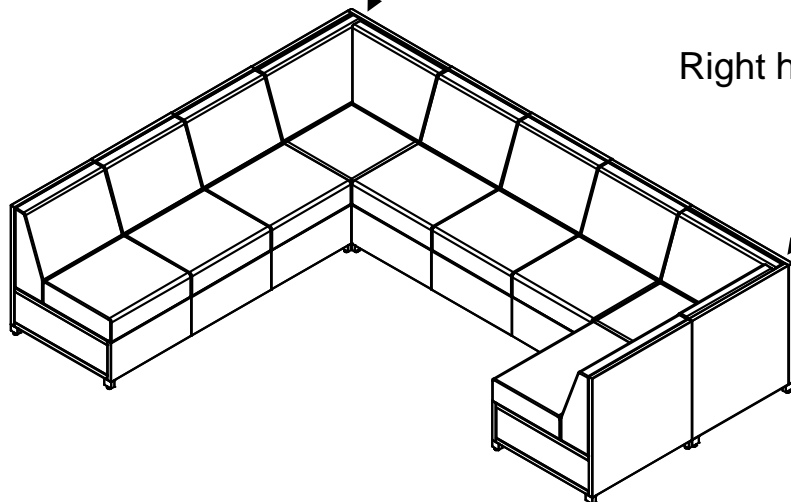
Check to make sure the back of the unit has a continuous overlay. Swap left/right units if necessary.



Adjacent Units (solid bases)

Left hand corner

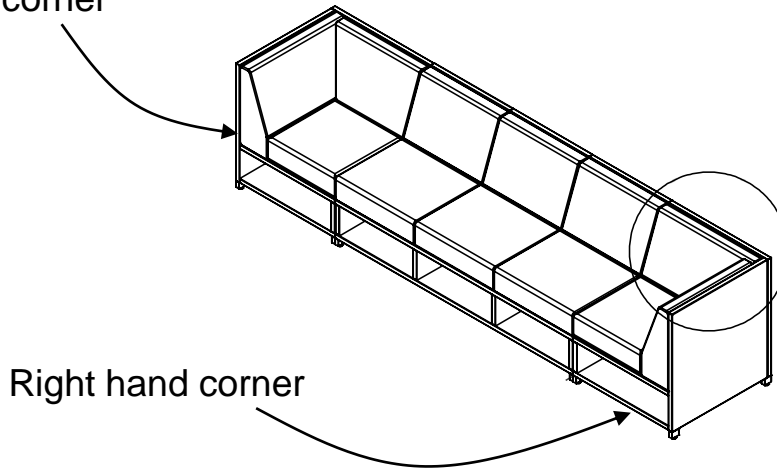
Right hand corner



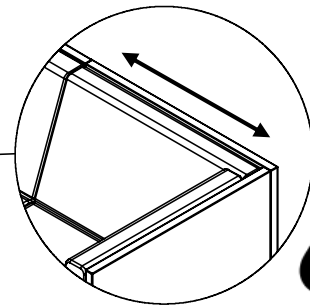
LB Lounge Installation

Configuring Corner Units (Open Bases)

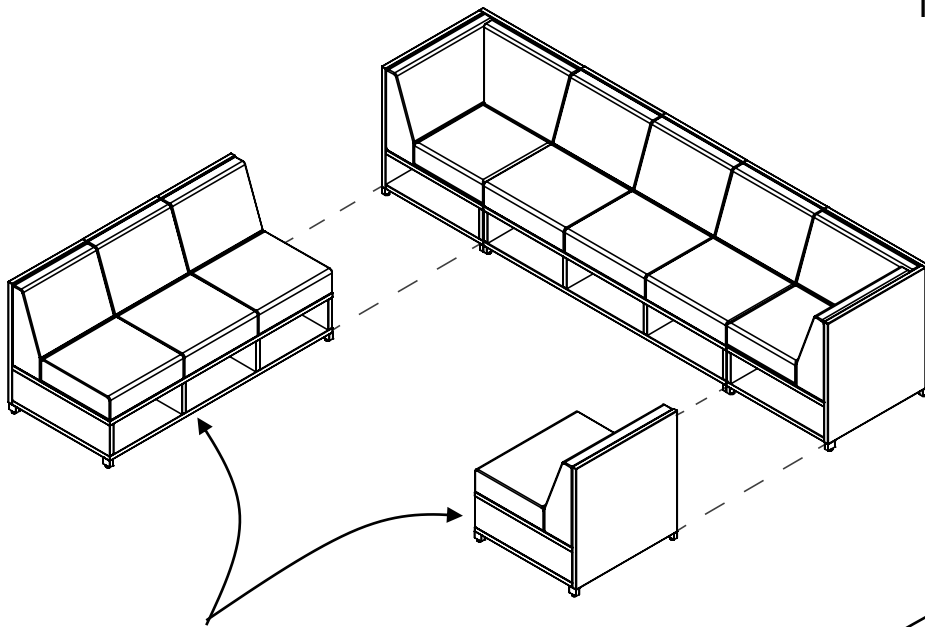
Left hand corner



Back Overlay



Check to make sure the back of the unit has a continuous overlay. Swap left/right units if necessary.



Adjacent Units
(solid bases)

Left hand corner

Right hand corner

