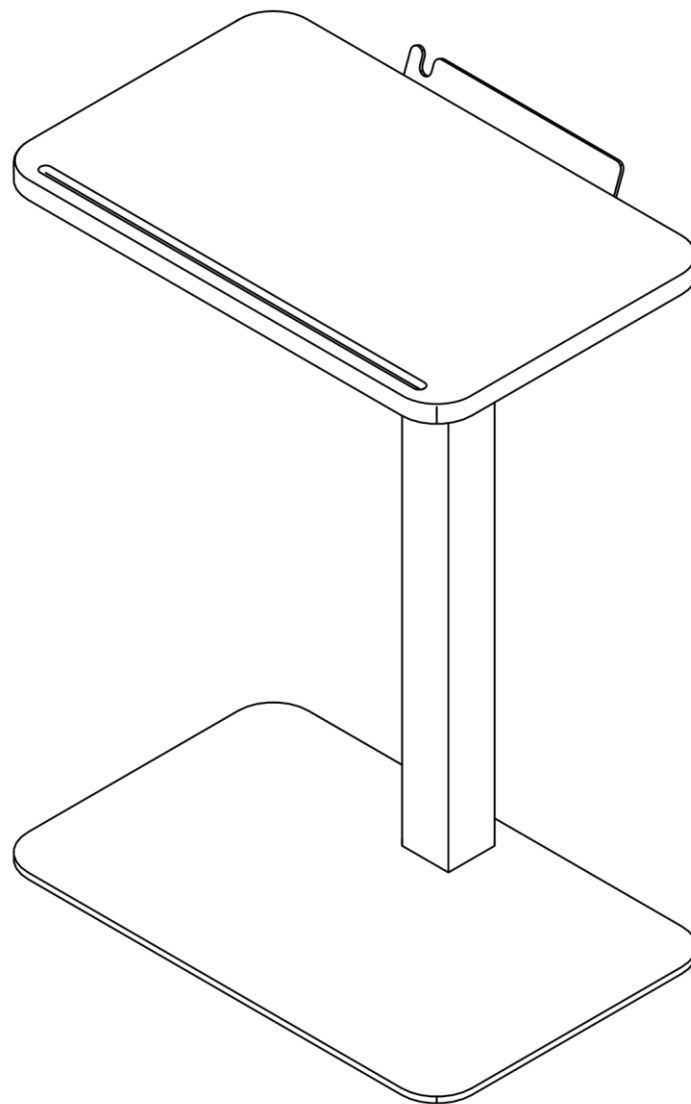
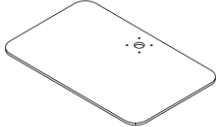
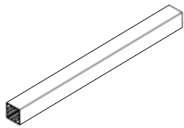
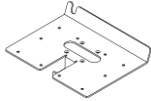

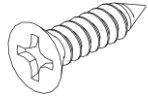
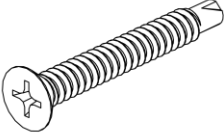



Date	Page No.	Description of change	Name
9/28/2020	1-4	Released	S. Powers
07/28/2022	5	Added adhesive back bumpers	S. Powers



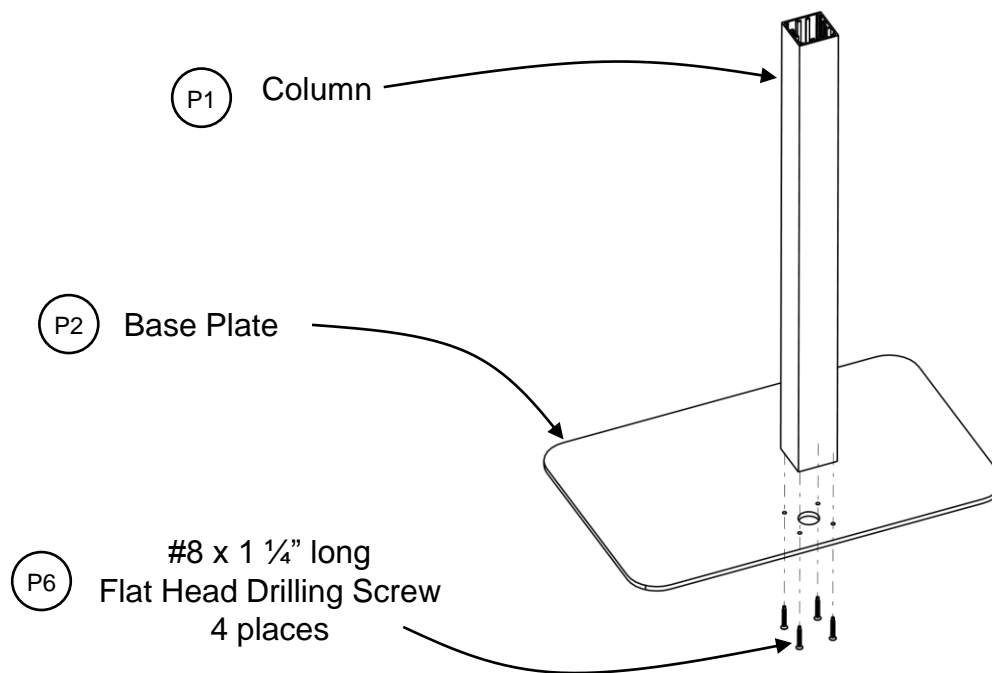
Laptop Table Installation

Parts List

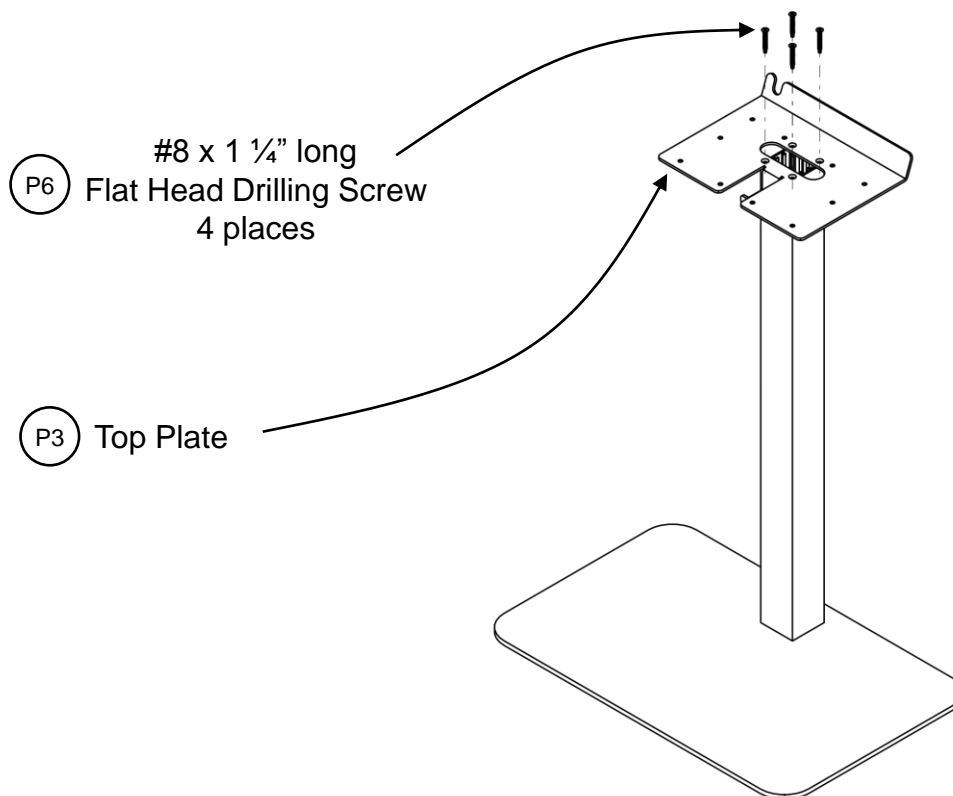
Item	Replacement Part number	Circle Sheet Part Number	Description	Image
1	RPLTTBP	RPLTTBP	Base Plate	
2	RP-LTT22	RP-LTT22	2 x 2 Column	
3	RP-LTTTP	RP-LTTTP	Top Plate	
4	RP-LTTT-x x = C (Cloud) x = G (Shark Grey) x = W (Glacier White)	RP-LTTT-x x = C (Cloud) x = G (Shark Grey) x = W (Glacier White)	Tabletop	
5	RH-WSFP1034-C	RH-WSFP1034-C	#10 x 3/4" Flat Head Wood Screw	
6	TSSF8114	TSSF8114	#8 x 1 1/4" Flat Head Drilling Screw	
7	RH-95495K728-I	RH-95495K728-I	Adhesive Back Bumper	

Laptop Table Installation

Step 1: Assemble column to base plate using #8 x 1 ¼" screws.

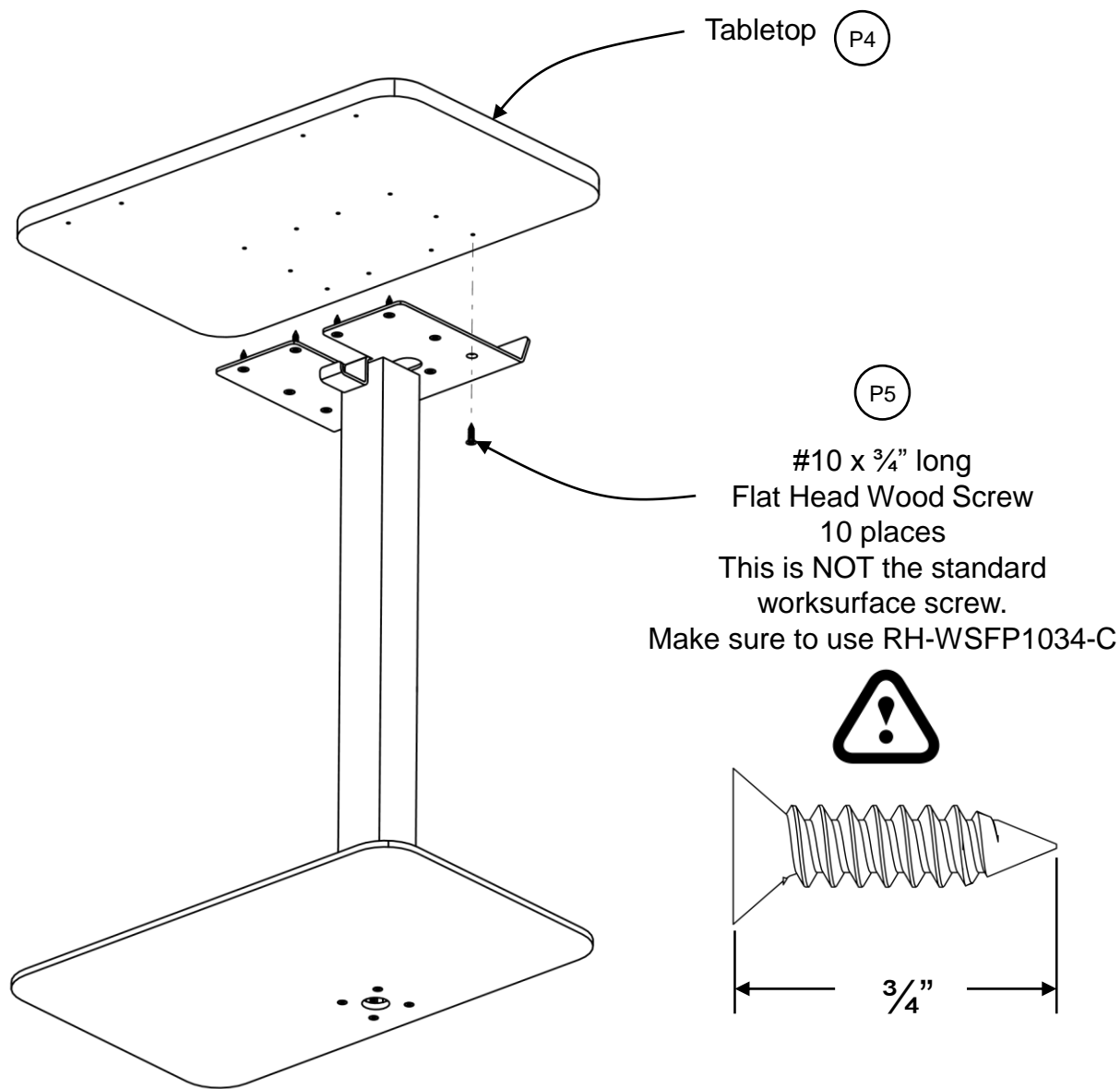


Step 2: Assemble top plate to column using #8 x 1 ¼" screws.



Laptop Table Installation

Step 3: Secure tabletop to base plate using #10 x 3/4" screws.



Laptop Table Installation

Step 4: Remove adhesive backing from (4) bumpers and apply to the bottom of the base plate.

