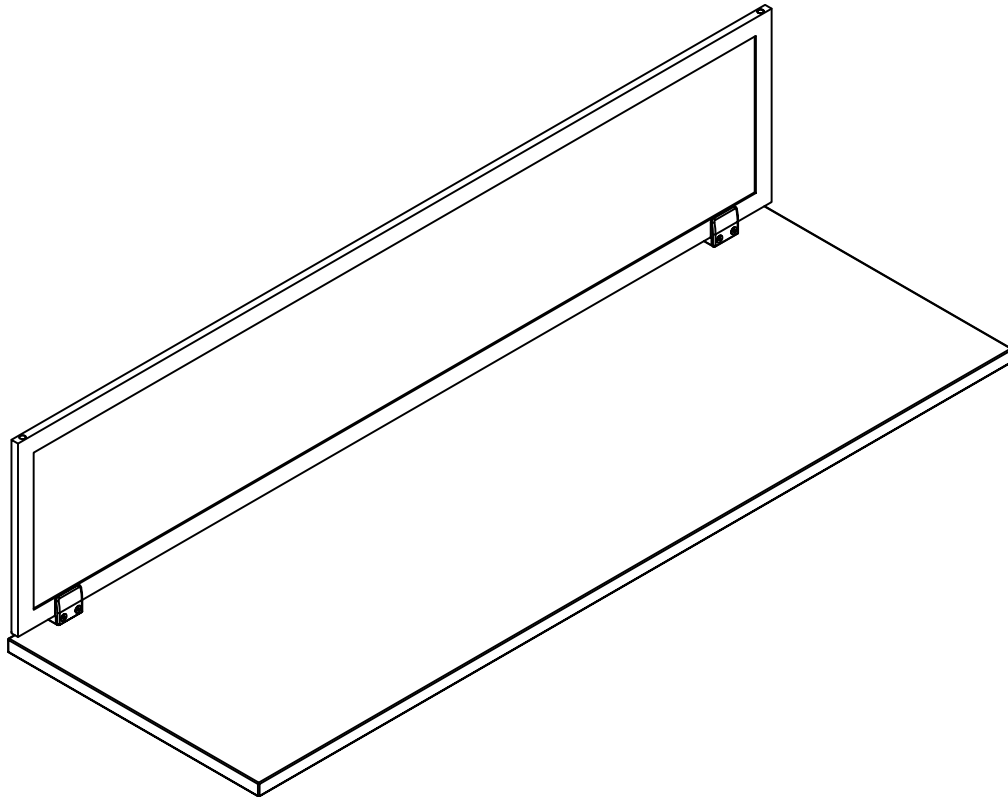
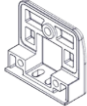




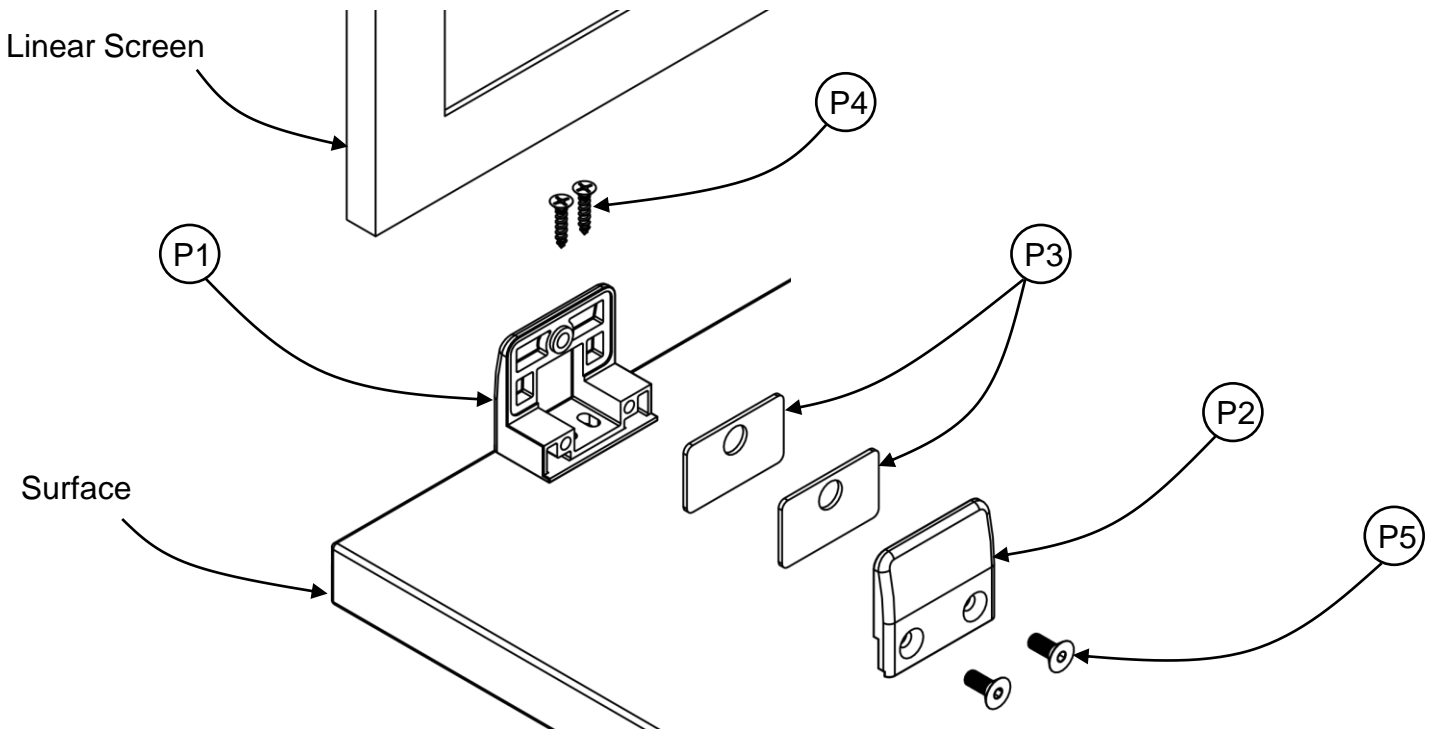


Date	Page No.	Description of change	Name
8/4/2020	1-4	Removed Spacer.	S. Powers

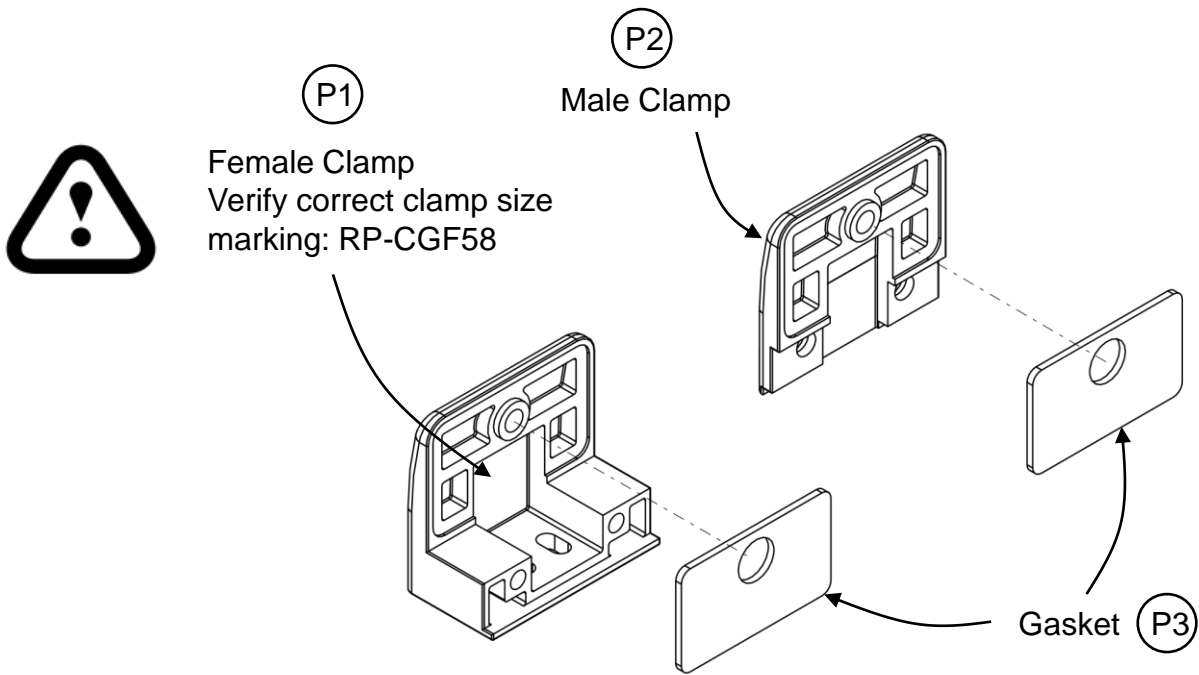


Item	Replacement Part number	Circle Sheet Part Number	Description	Image
P1	RP-CGF58	RP-CGF58	Female Clamp	
P2	RP-CGM	RP-CGM	Male Clamp	
P3	RP-UNFGCG	RP-UNFGCG	Gasket	
P4	RH-QS0978	RH-QS0978	Flat Head Screw #9 x 7/8" Long	
P5	RH-MSSHf142858	RH-MSSHf142858	Flat Head Socket Screw 1/4-28 x 5/8" long	

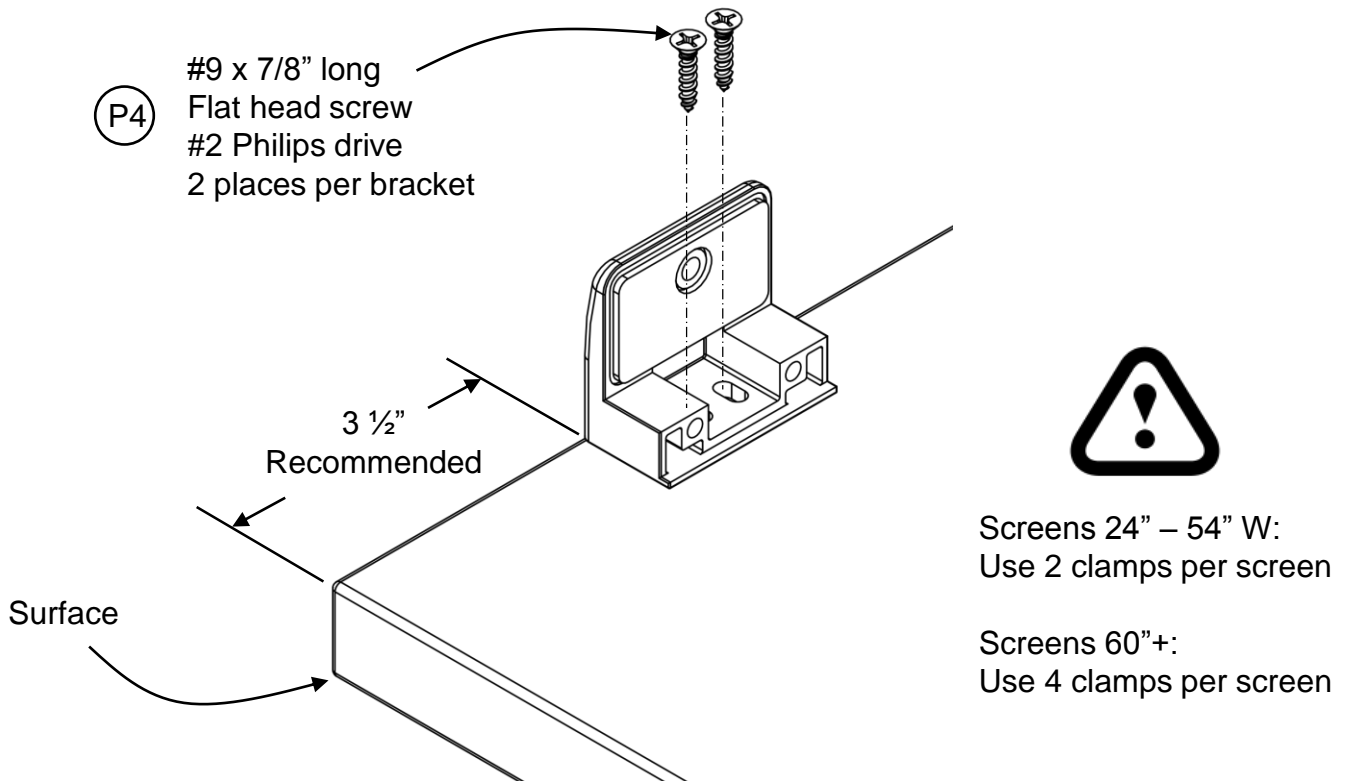


Linear Screen Installation

Step 1: Apply the foam rubber stickers to male and female clamp parts.



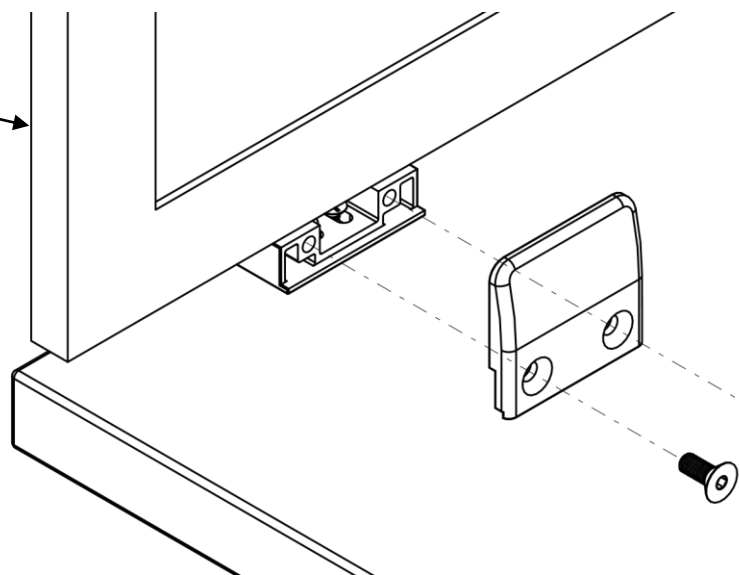
Step 2: Position female clamp as desired and secure to surface .



Linear Screen Installation

Step 3: Loosely connect male and female clamps using 1/4-28 screws.
Position linear screen as desired and tighten screws to firmly secure in place.

Linear Screen



(P5)

Flat Head Socket Screw
1/4-28 x 5/8" long
2 places per clamp

