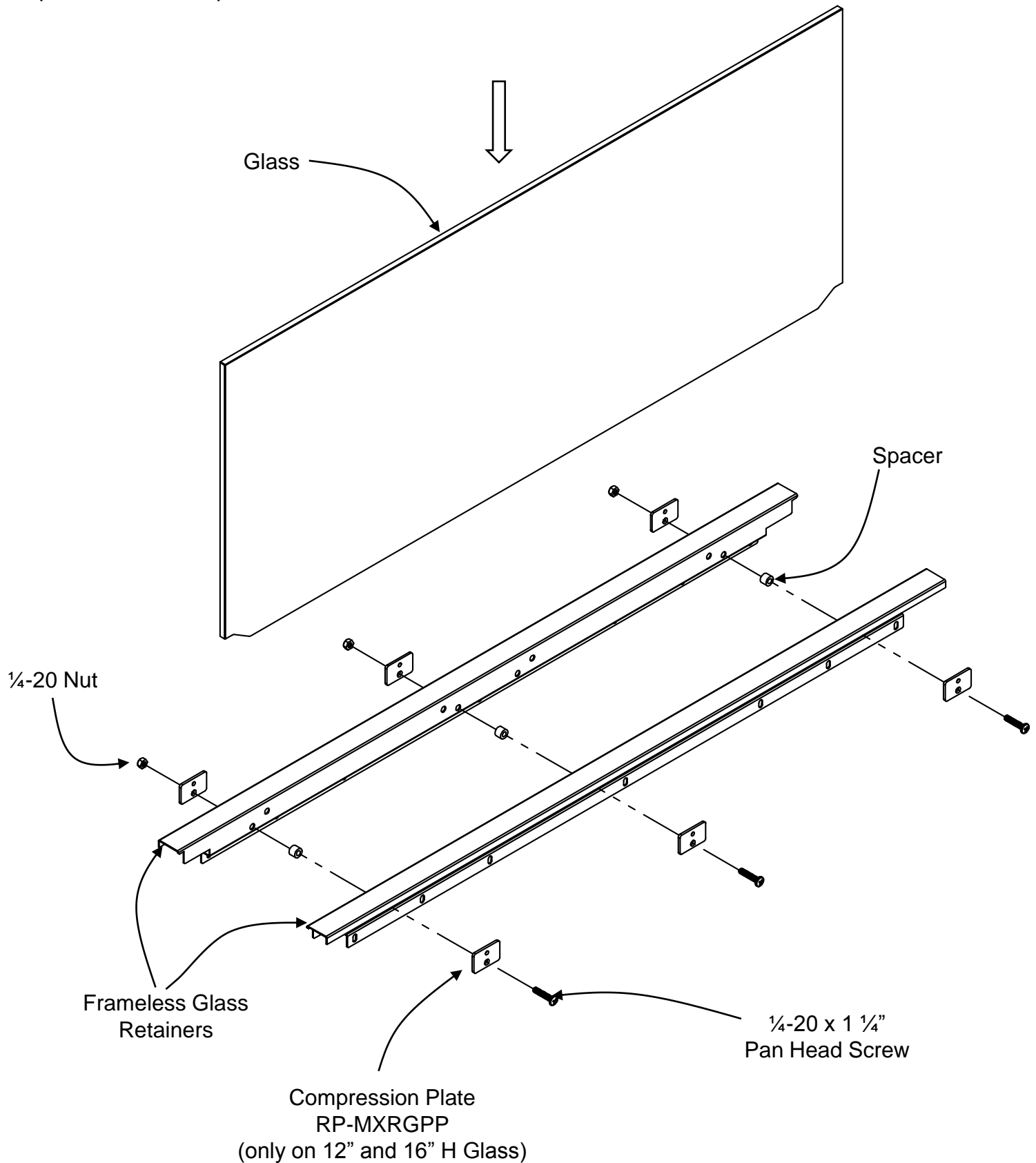


Recessed Frameless Glass Installation

Step 1:

LOOSELY bolt the Frameless Glass Retainers to the Glass using Compression Plates, Spacers, 1/4-20 x 1 1/4" screws, and 1/4-20 Nuts

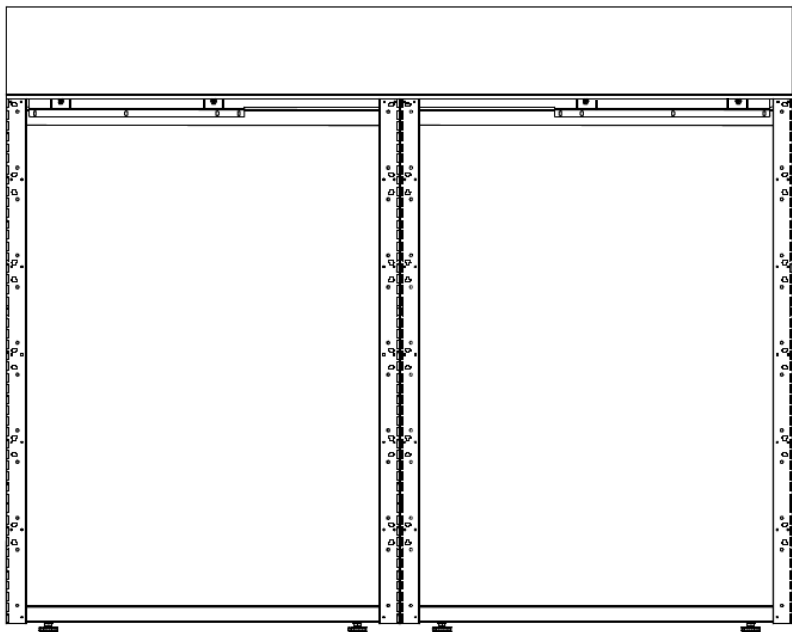


Recessed Frameless Glass Installation

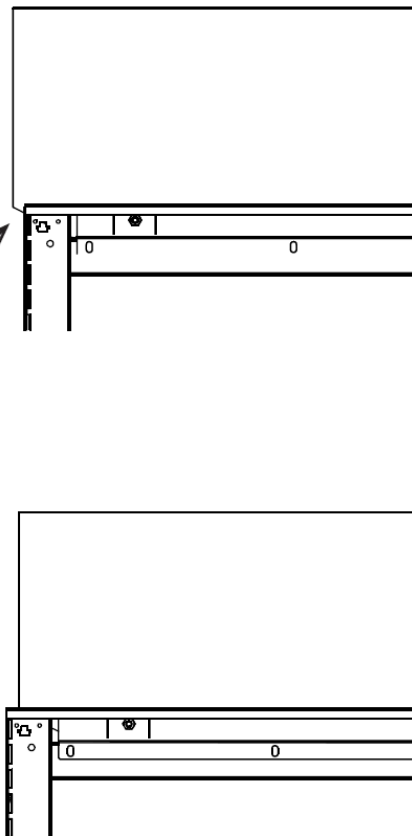
Step 2:

Adjust the placement of the glass so that it is centered on the frame (s), then tighten the bolts with LOW TORQUE.

Centered Glass



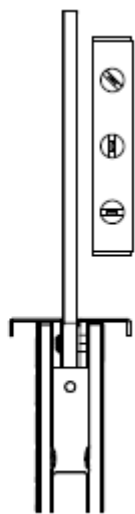
NOT Centered Glass



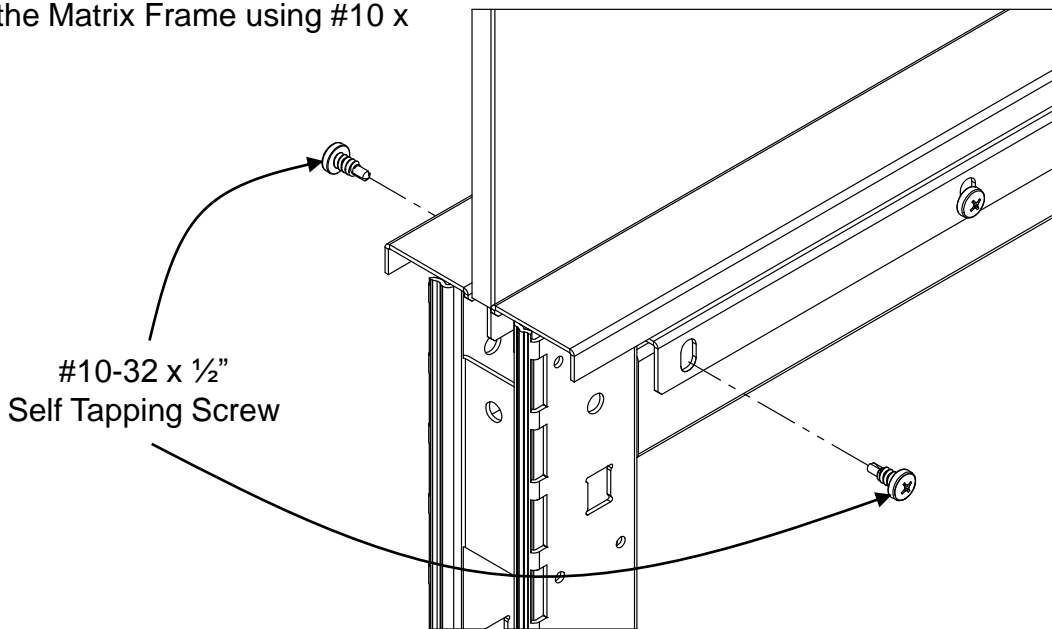
Step 3:

Using a level, make sure glass is leveled front to back on the frames. Then, keeping the glass level, attach the Recessed Glass Retainer to the Matrix Frame using #10 x 1/2" Self Tapping Screws.

FIRST
Level the glass



#10-32 x 1/2"
Self Tapping Screw



Recessed Frameless Glass Installation

Step 4:

With LOW TORQUE, Install 1/4-28 x 3/8" Set Screw into Compression Plate so that the set screw is firmly supporting the glass. To insure glass remains level, DO NOT OVER TORQUE.

