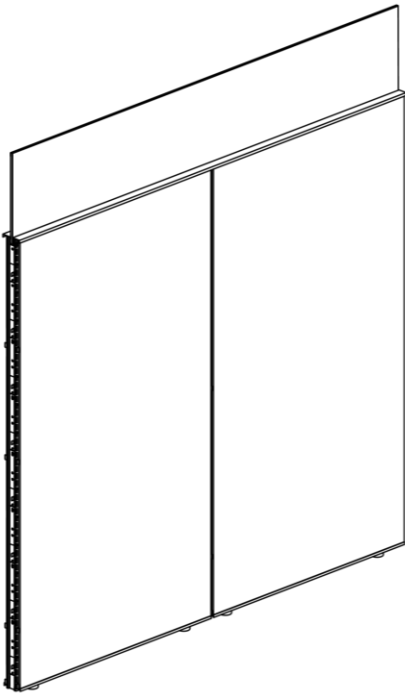
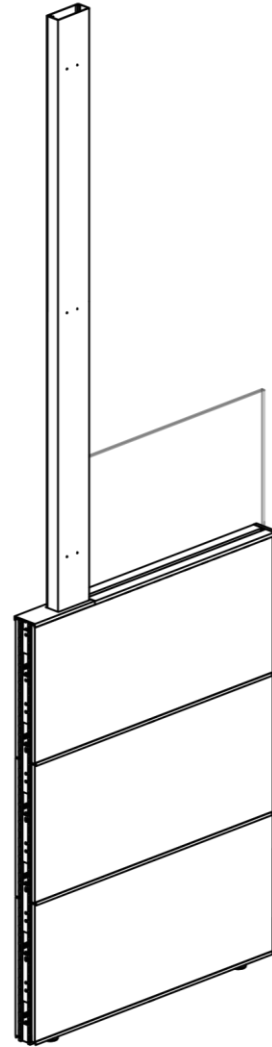


Date	Page No.	Description of change	Name
5/19/2021	1-10	New template, added power pole situations	S. Powers







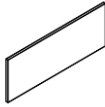

Matrix Recessed Glass  
See pages 2-5



Matrix Recessed Glass  
For Power Pole Situations  
See pages 6-10

# Matrix Recessed Glass

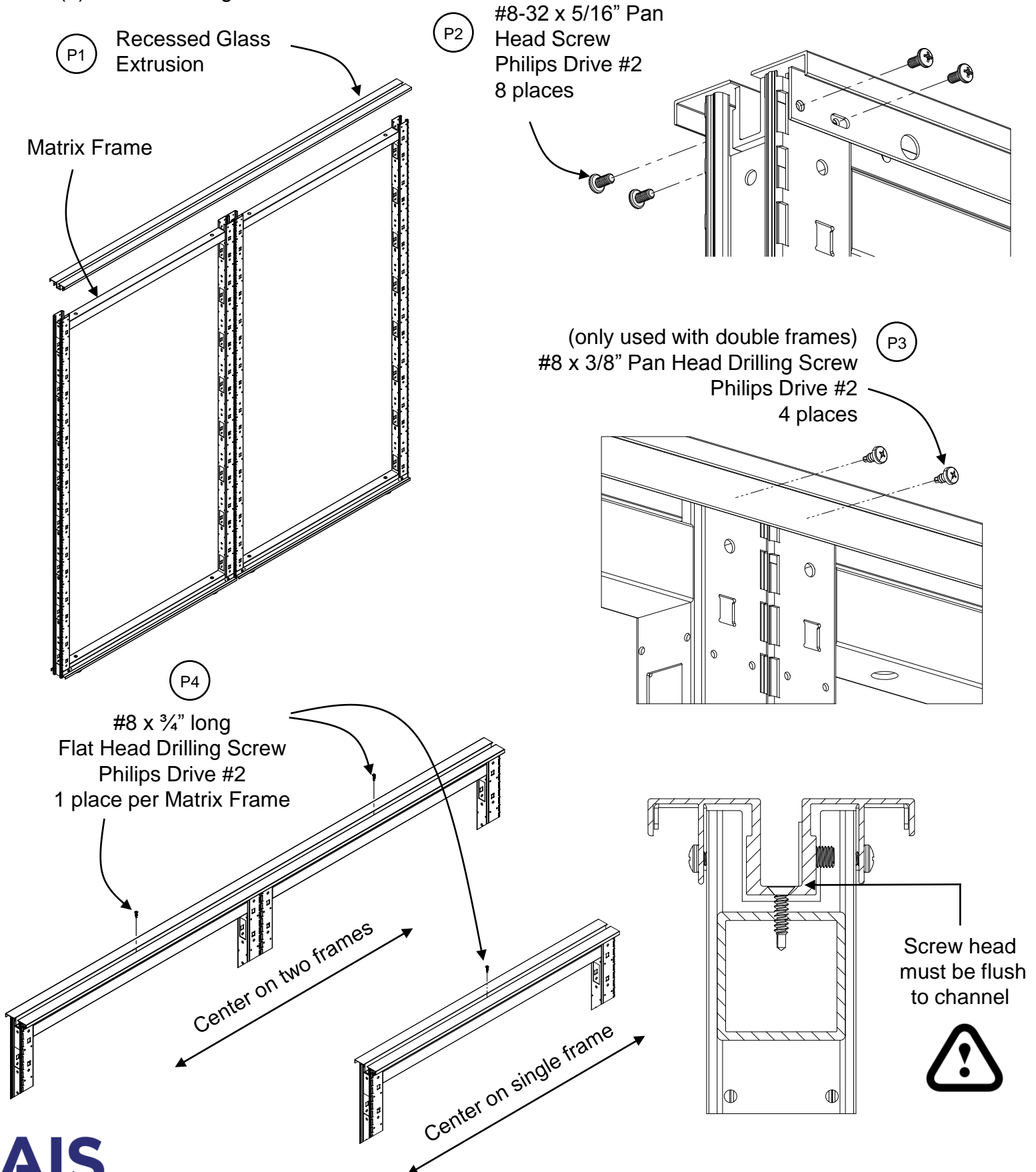
# Parts List

Item	Replacement Part number	Circle Sheet Part Number	Description	Image
P1	P-MRGAExx-P xx = 24-96 (in 6" increments)	RP-MRGAExx-P xx = 24-96 (in 6" increments)	Recessed Glass Extrusion	
P2	RP-MXHS83214-I	RP-MXHS83214A	Pan Head Screw #8-32 x 5/16"	
P3	TSP838-A	TSP838-A	Pan Head Drilling Screw #8 x 3/8"	
P4	RH-94195A140	RH-94195A140	Flat Head Drilling Screw #8 x 3/4"	
P5	O-GCP	OX-GCP2	Compression Plate (Clear Polycarbonate)	
P6	RH-SHBSO142838C	RH-SHBSO142838A	Set Screw 1/4-28 x 3/8"	

# Matrix Recessed Glass

## Step 1:

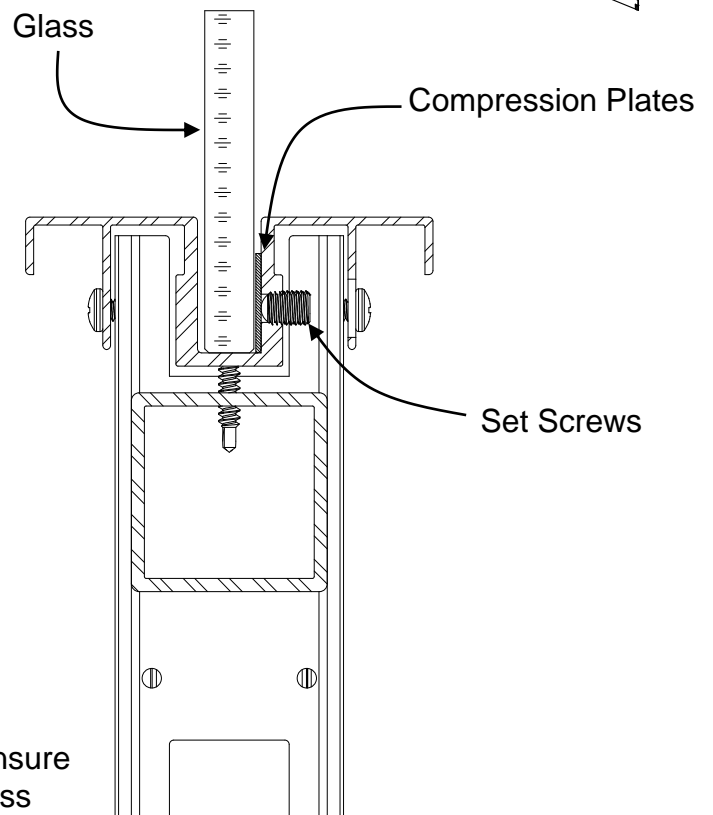
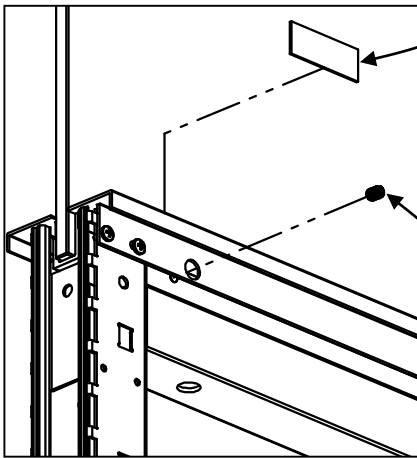
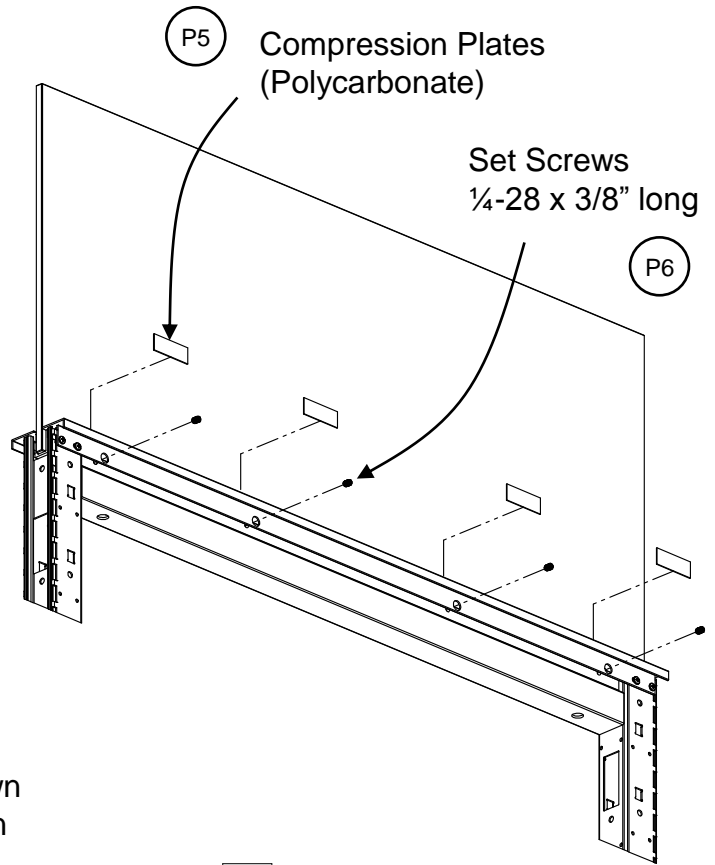
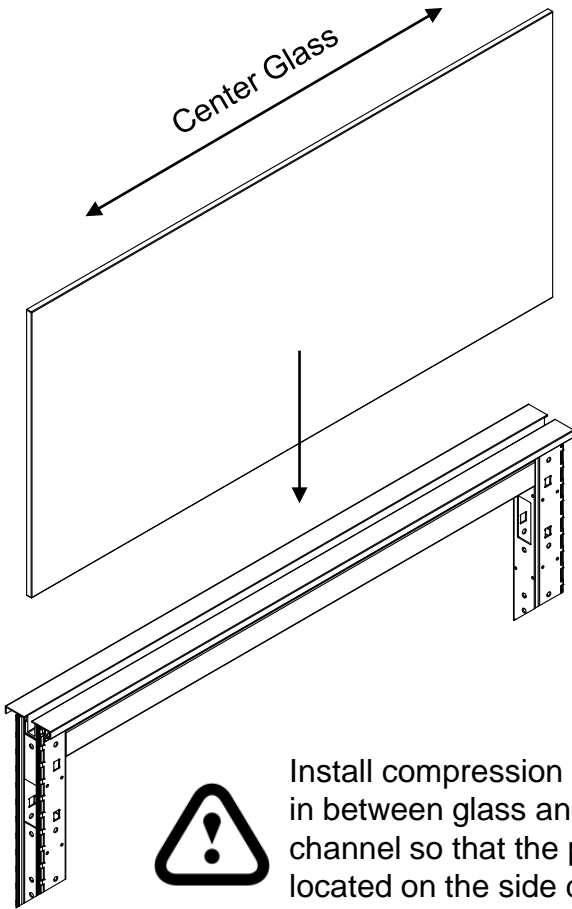
Attach Recessed Glass Extrusion to Matrix frame using (4) #8-32 x 5/16" Pan Head Screw and (1) #8 x 3/4" Drilling Screw.



# Matrix Recessed Glass

## Step 2:

Center glass in extrusion channel. Make sure glass is LEVEL and secure to frame using compression plates and set screws. DO NOT OVER TORQUE. Glass should be secure with no wobble.

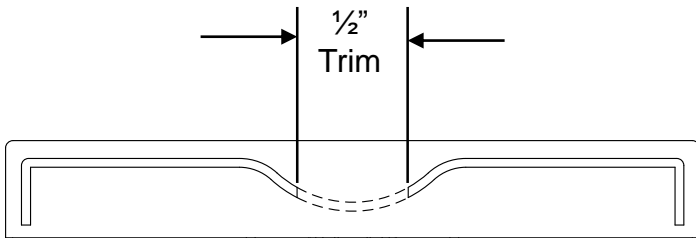
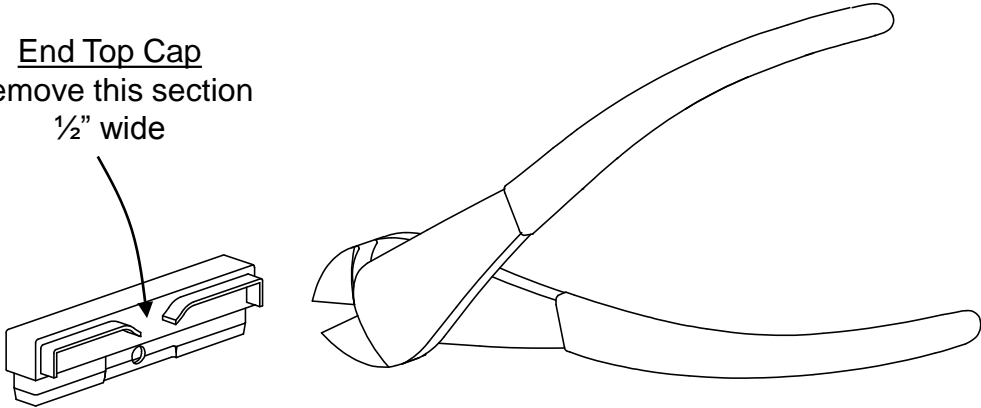


# Matrix Recessed Glass

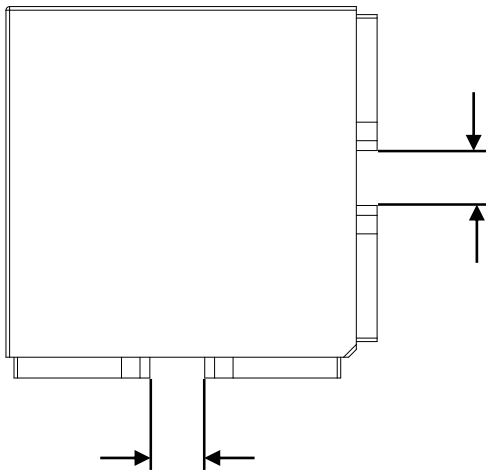
## Step 3: (if required)

Connector and end cap top caps must be trimmed as shown prior to installation. See Main Matrix instructions for installation.

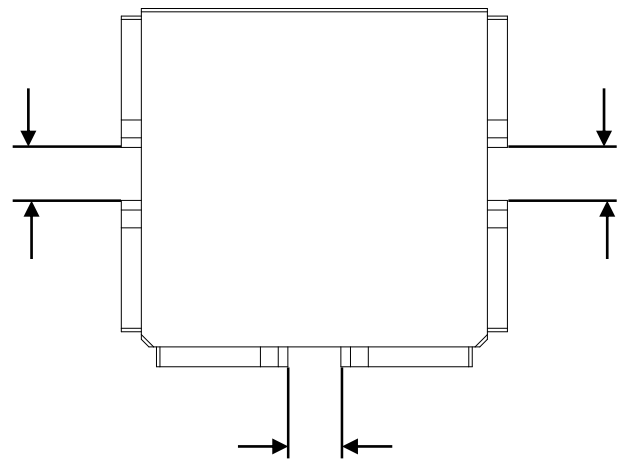
End Top Cap  
Remove this section  
1/2" wide





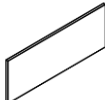




2-Way Top Cap  
Remove 1/2" wide  
sections as required



3-Way Top Cap  
Remove 1/2" wide  
sections as required

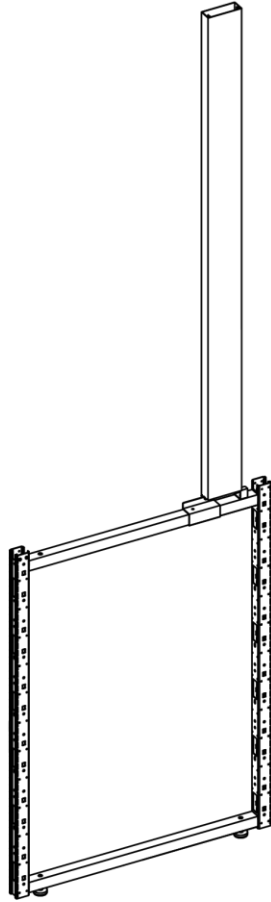


Item	Replacement Part number	Circle Sheet Part Number	Description	Image
P1	RSP-74459-5-P	RSP-74459-5	U-Bracket	
P2	RH-94195A140	RH-94195A140	Flat Head Drilling Screw #8 x 3/4"	
P3	P-MRGAExx-P xx = 24-96 (in 6" increments)	RP-MRGAExx-P xx = 24-96 (in 6" increments)	Recessed Glass Extrusion	
P4	RP-MXHS83214A-I	RP-MXHS83214A	Pan Head Screw #8-32 x 5/16"	
P5	O-GCP	OX-GCP2	Compression Plate (Clear Polycarbonate)	
P6	RH-SHBSO142838C	RH-SHBSO142838C	Set Screw 1/4-28 x 3/8"	
P7	RP-M4TCPPE-RG	RP-M4TCPPE-RG	Topcap Power Pole Recessed Glass	

# Matrix Recessed Glass - Power Poles

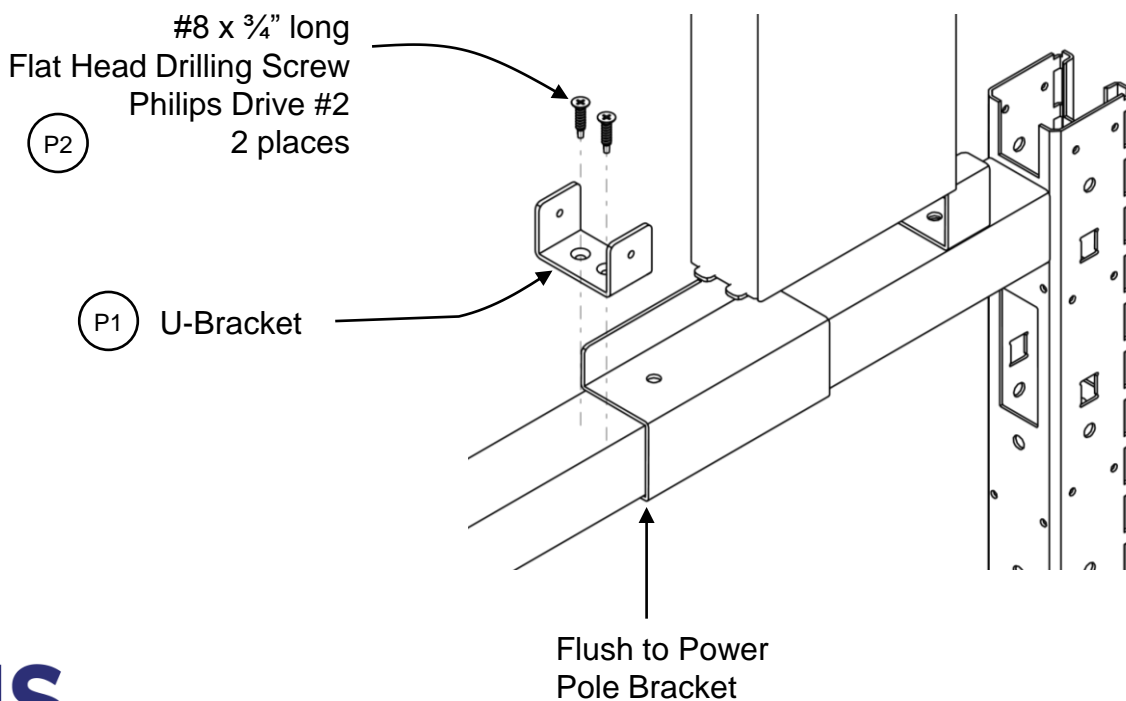
## Step 1:

Install the Power Pole as shown in the Matrix Installation Instruction Manual #P-MXINSTRUCT01.



## Step 2:

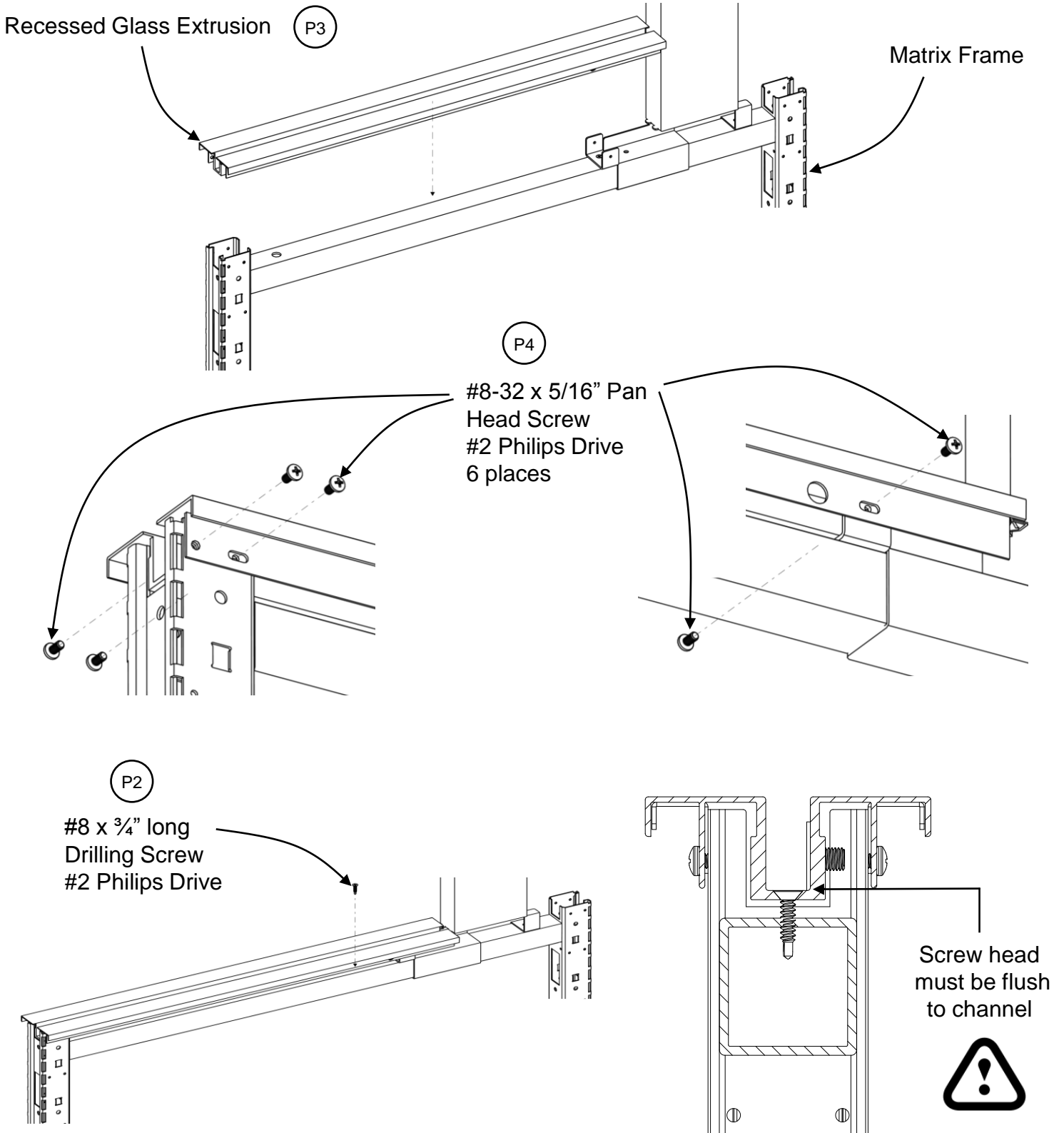
Install the U-Bracket adjacent to the bottom power pole mounting bracket using (2) #8 x 3/4" long flat head drilling screws



# Matrix Recessed Glass - Power Poles

## Step 3:

Attach Recessed Glass Extrusion to Matrix frame using (6) #8-32 x 5/16" Pan Head Screw and (1) #8 x 3/4" Drilling Screw.

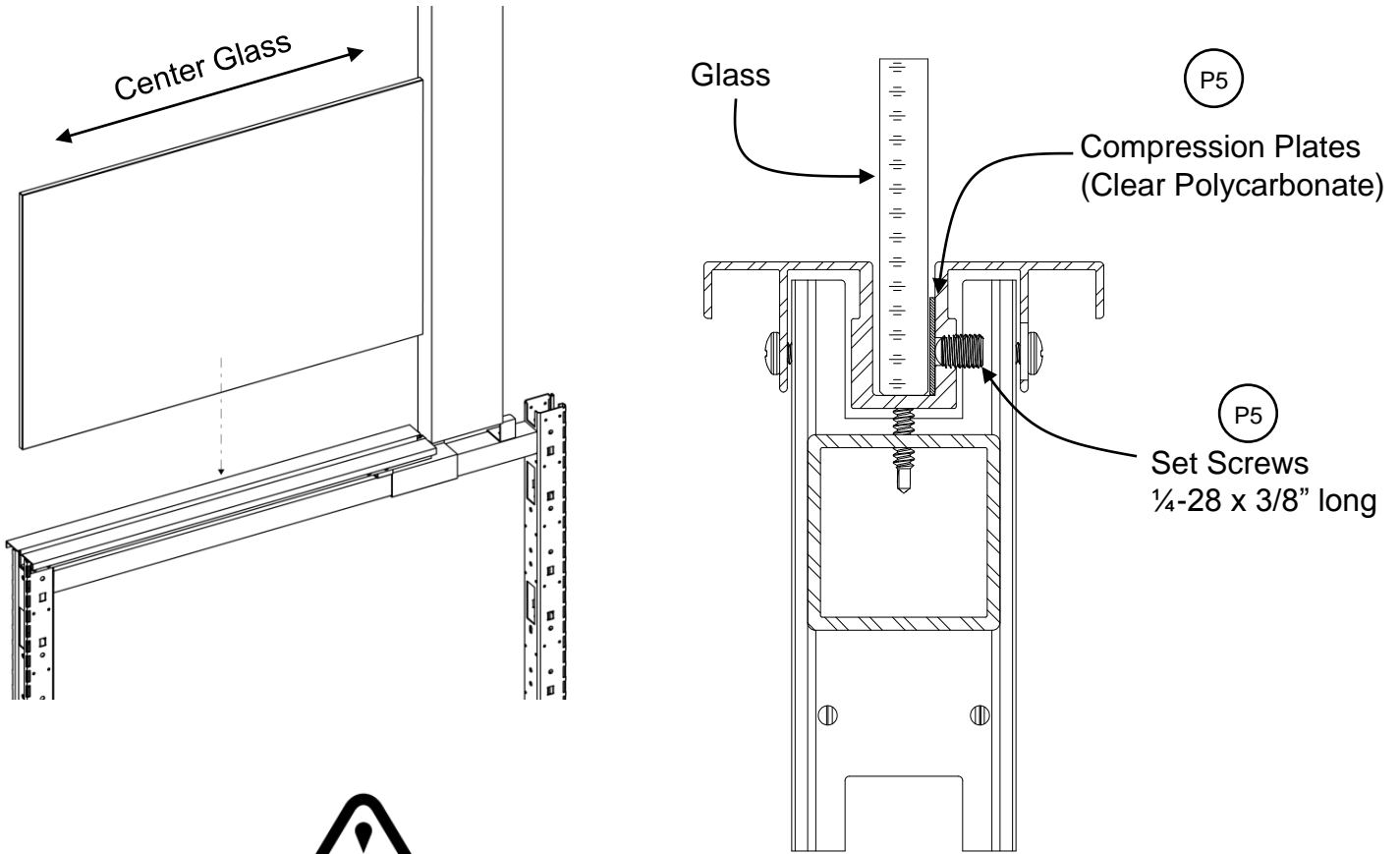




# Matrix Recessed Glass - Power Poles

## Step 4:

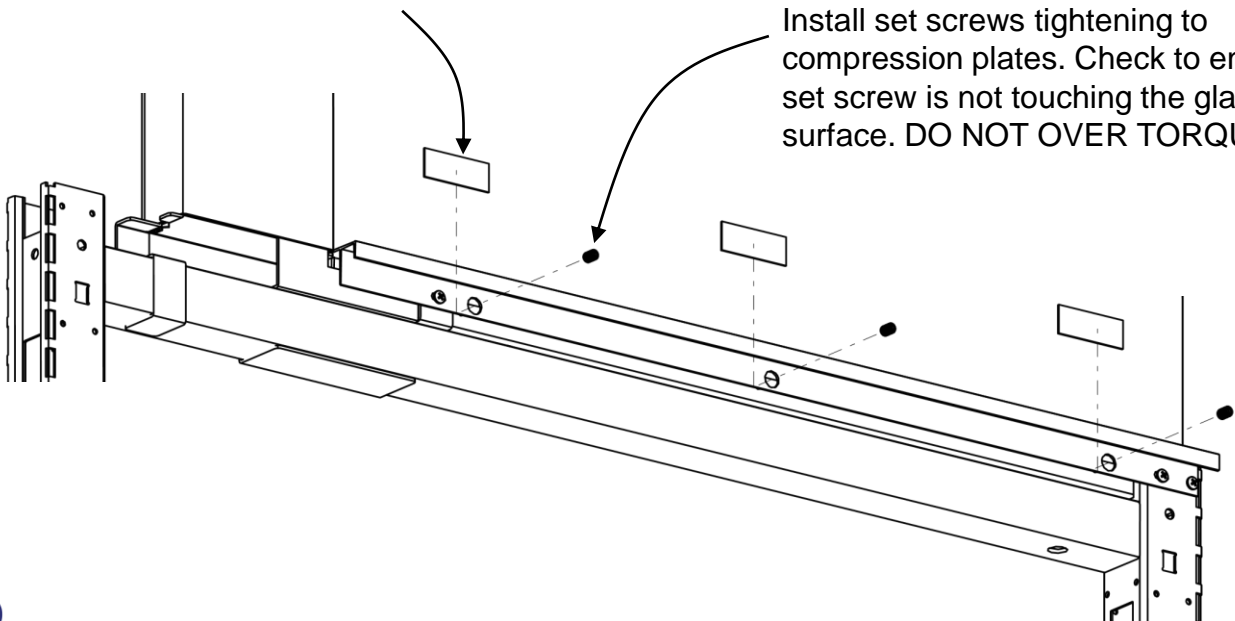
Center glass in extrusion channel. Make sure glass is LEVEL and secure to frame using compression plates and set screws. DO NOT OVER TORQUE. Glass should be secure with no wobble.



Install compression plates down in between glass and extrusion channel so that the plate is located on the side directly behind the set screw hole



Install set screws tightening to compression plates. Check to ensure set screw is not touching the glass surface. DO NOT OVER TORQUE



# Matrix Recessed Glass - Power Poles

## Step 5:

Remove adhesive backing from the 2 strips of double-sided tape, located on the topcap. Firmly position topcap around power pole as shown.

