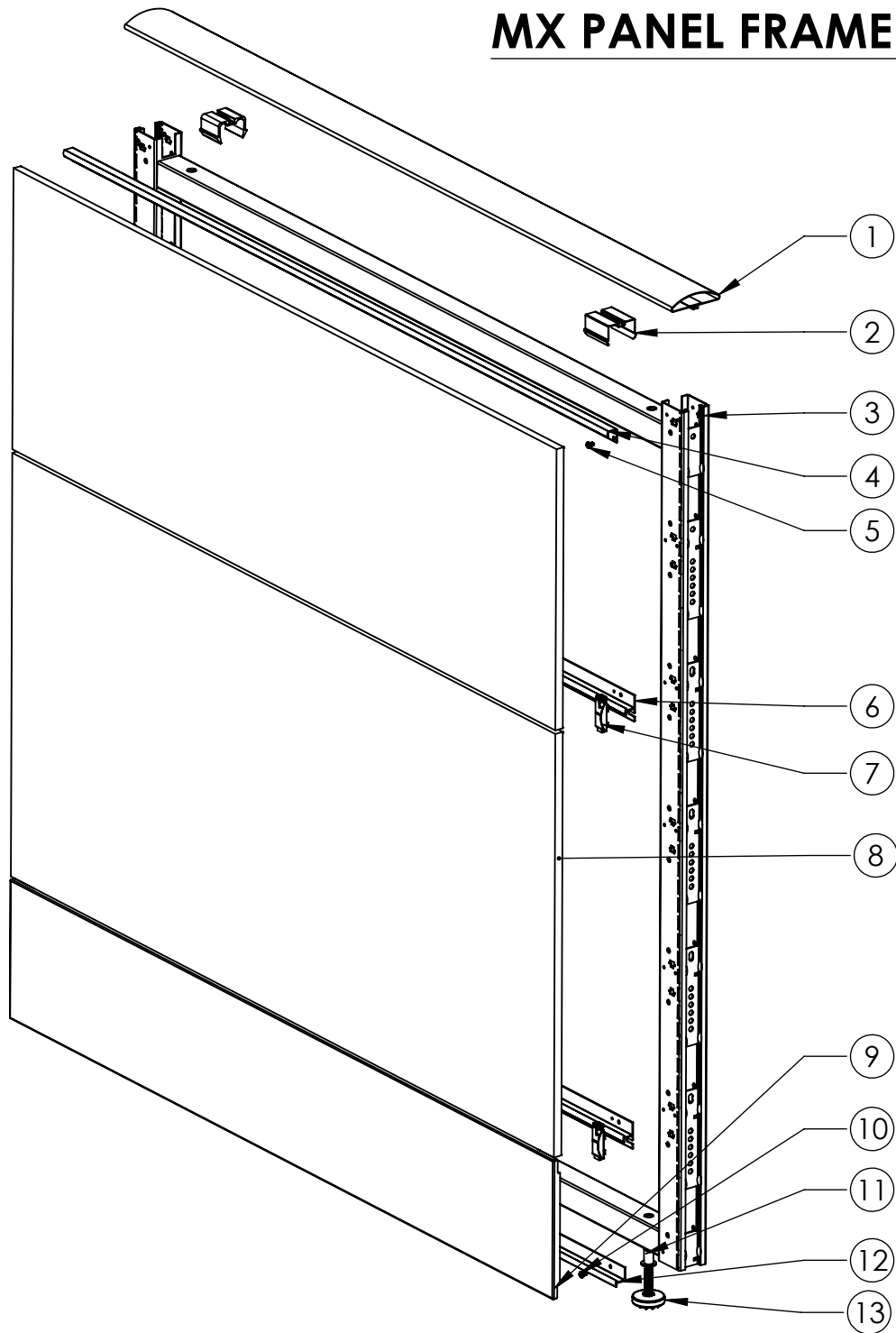
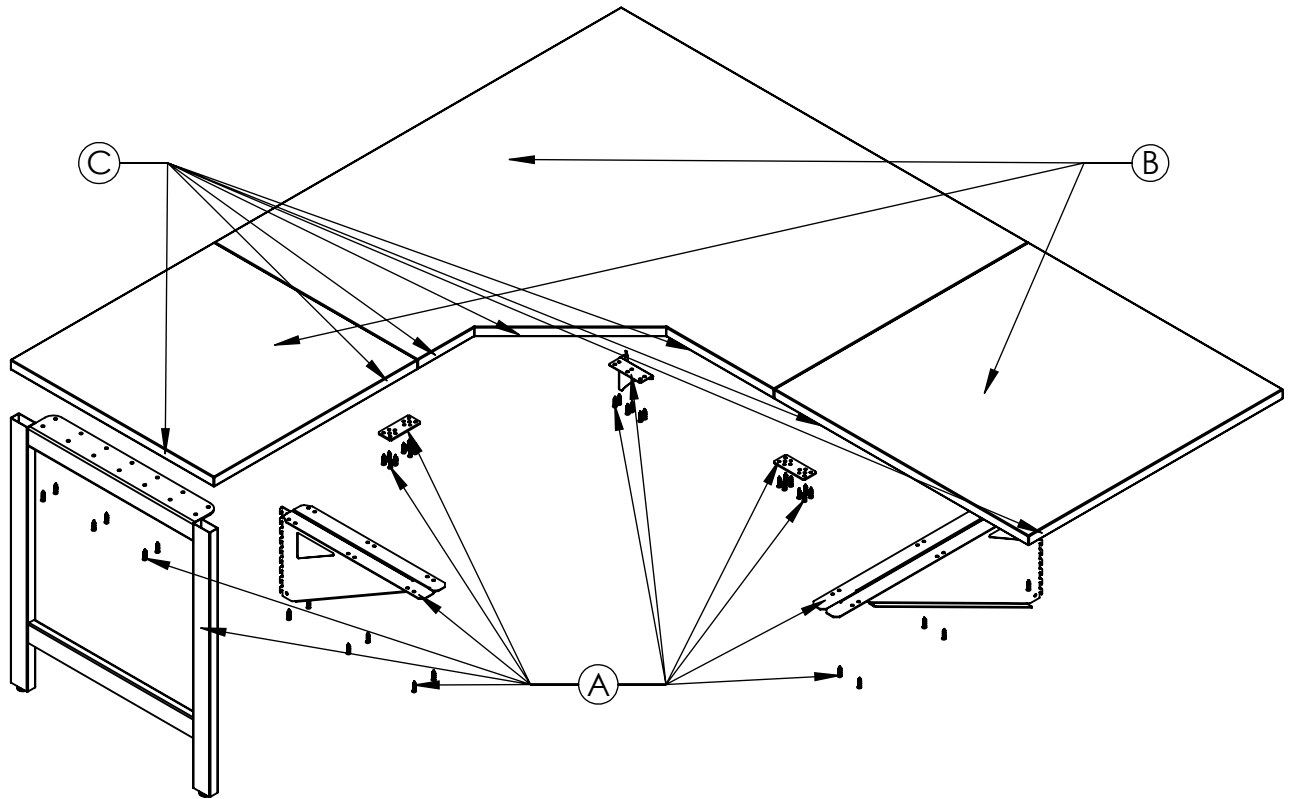



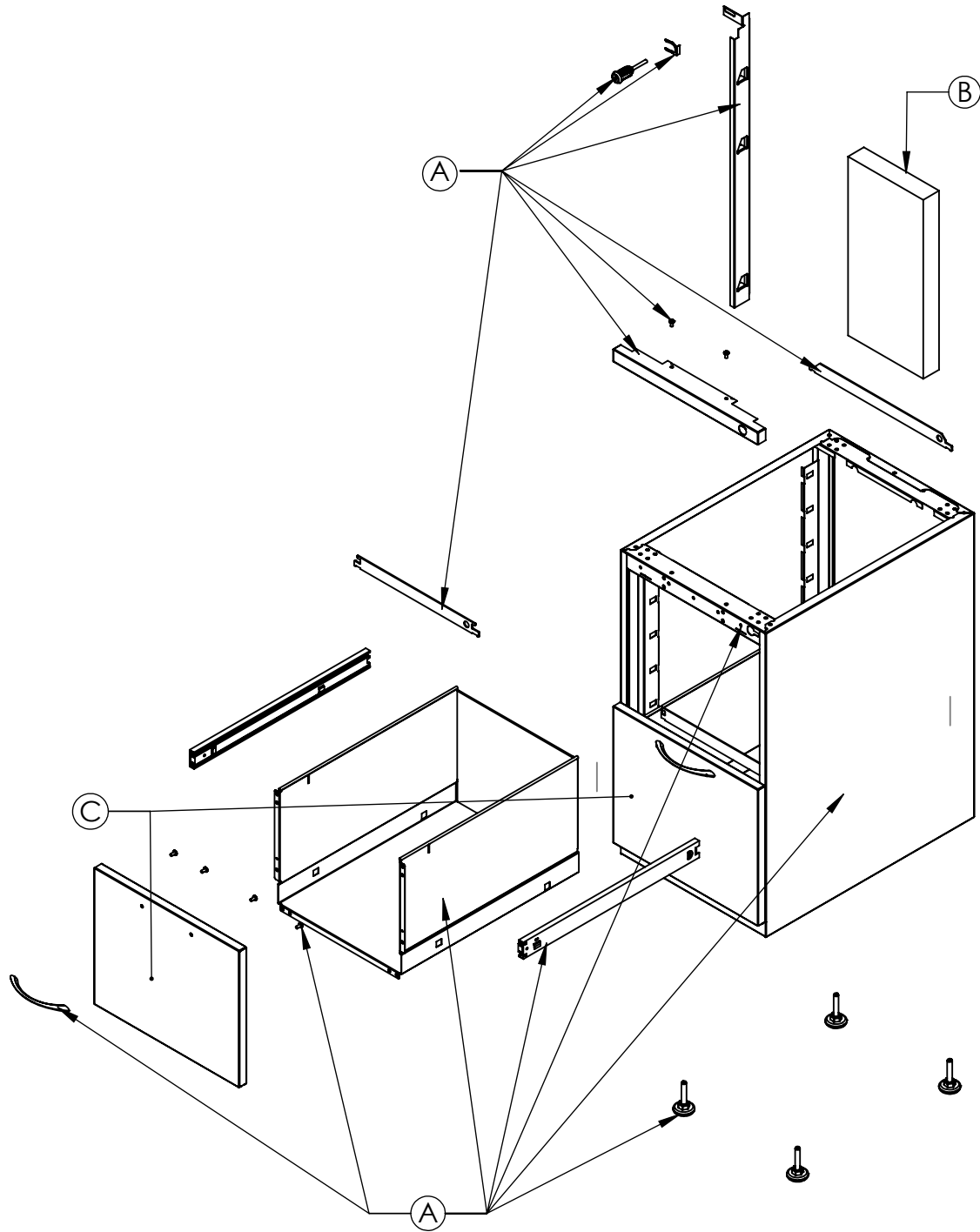
# MX PANEL FRAME DISASSEMBLY



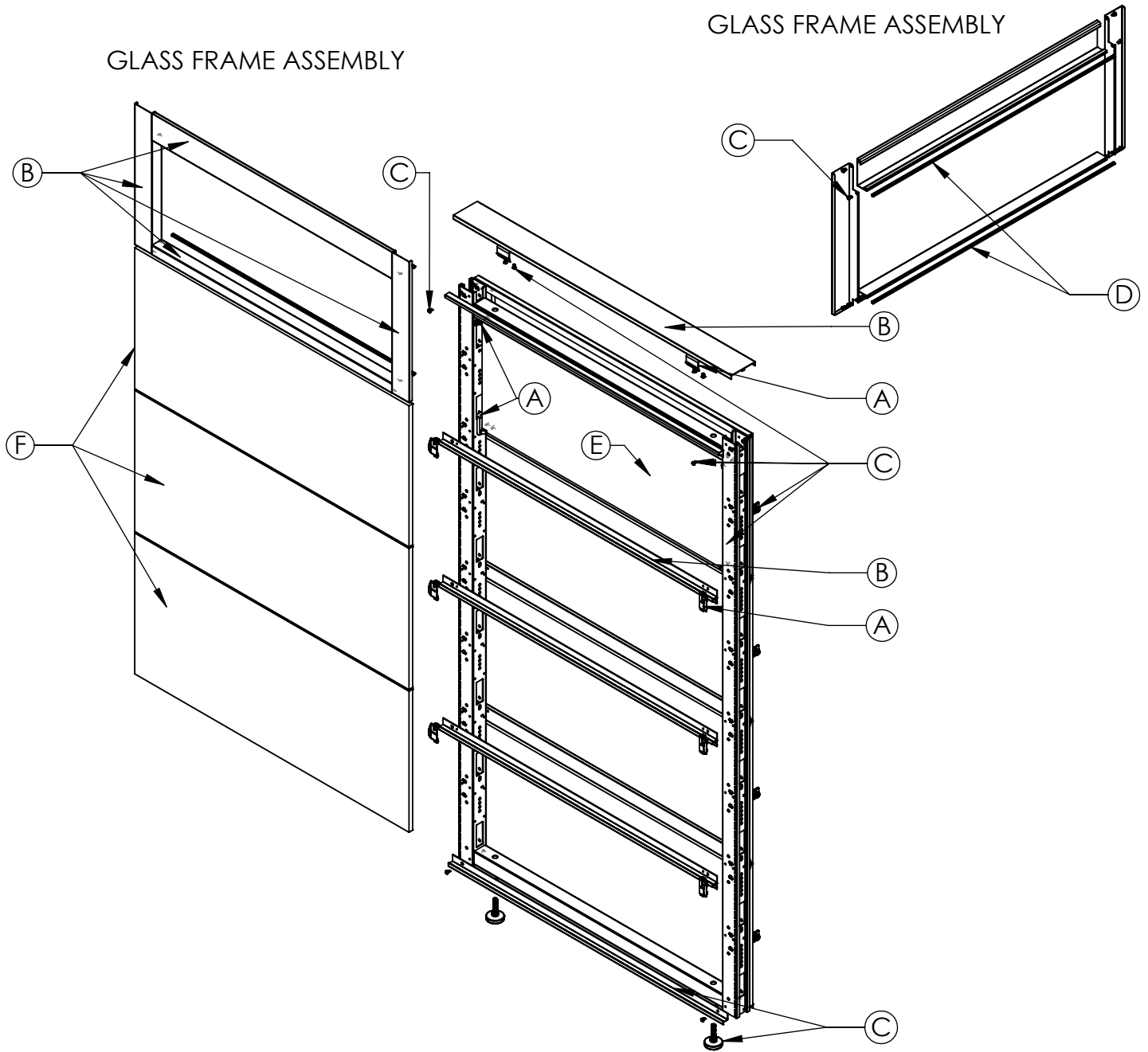
ITEM NO.	MATERIAL
1	ALUMINUM
2	ABS
3	STEEL
4	M2-Concept15-48
5	STEEL
6	ALUMINUM
7	ABS
8	FABRIC FIBERGLASS
9	STEEL
10	STEEL
11	STEEL
12	ALUMI NUM
13	STEEL



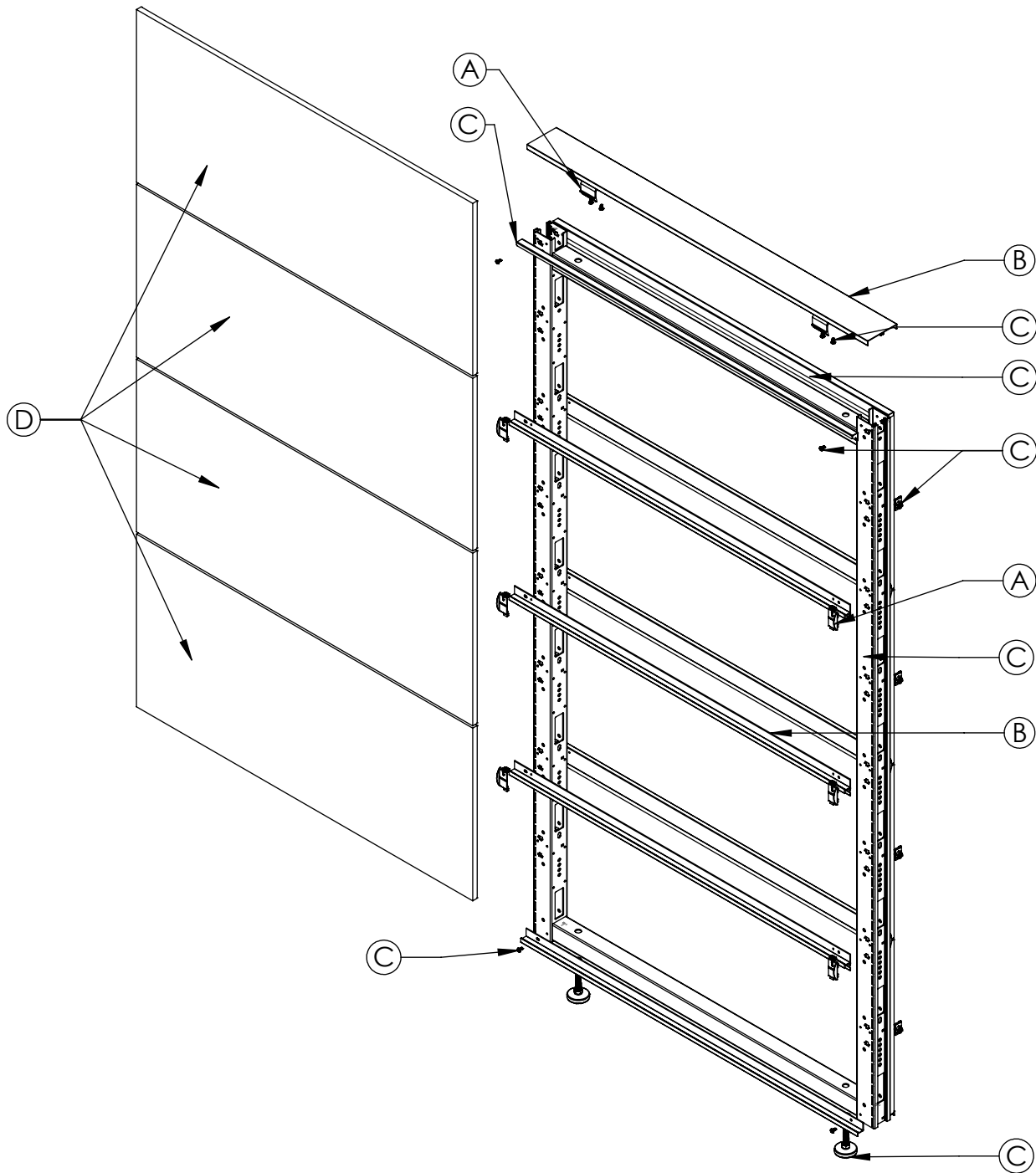
PARTS		SPECS	TOOLS REQUIRED
A.) STEEL		STEEL	1.) CORDLESS DRILL
B.) WOOD		LAMINATED COMPOSITE WOOD	2.) PHILLIPS SCREWDRIVER
C.) PLASTIC		FLEXIBLE PVC	



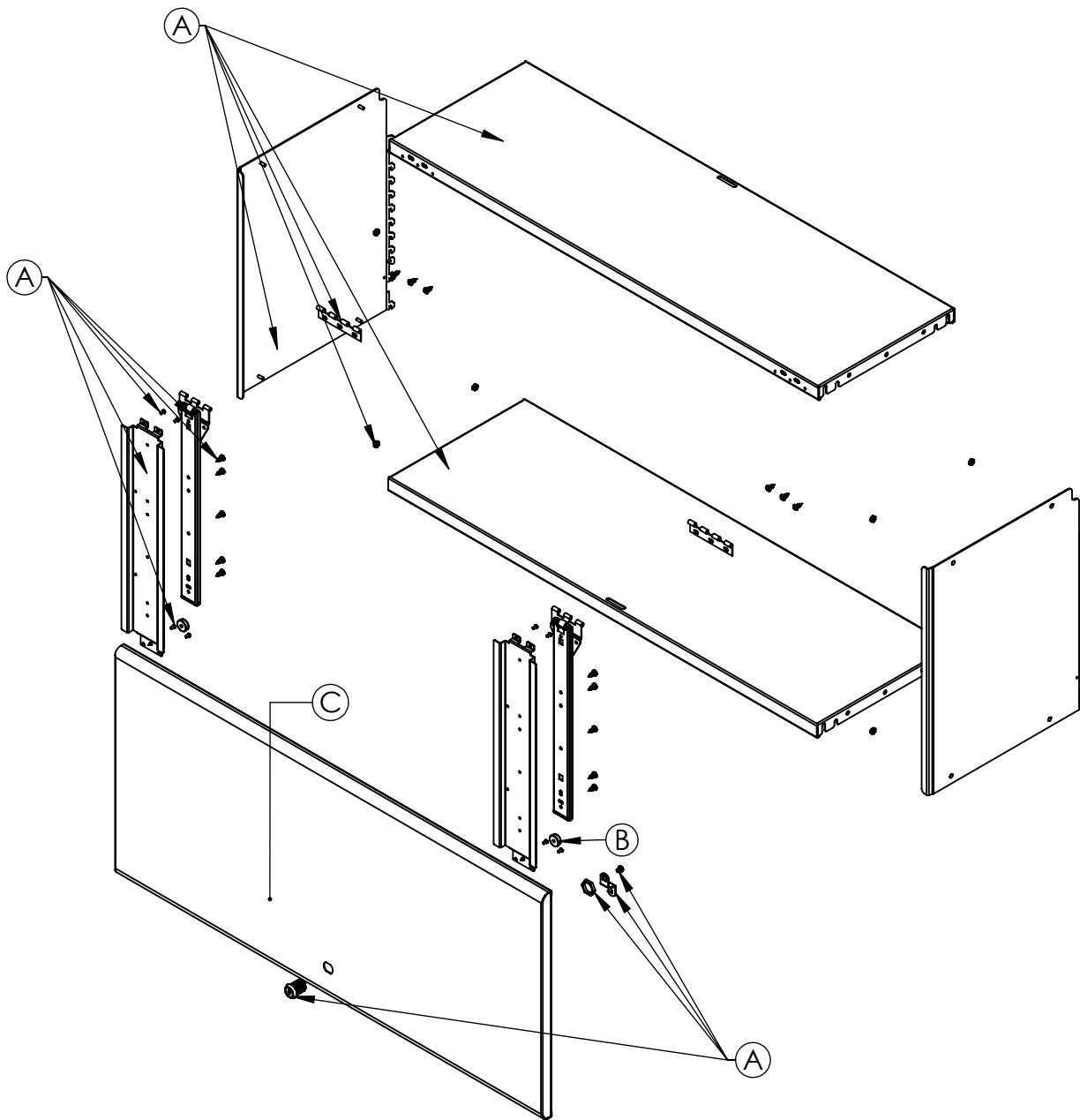
PARTS	SPECS	TOOLS REQUIRED
A) STEEL	STEEL	1.) FLATHEAD SCREWDRIVER
B.) CEMENT	CEMENT	2.) CORDLESS DRILL
C.) PEDASTAL FACE	1) STEEL 2) LAMINATE WITH PLASTIC PVC EDGE	3.) PHILLIPS SCREWDRIVER





PARTS	SPECS	TOOLS REQUIRED
A.) PLASTIC	ABS	1.) FLATHEAD SCREWDRIVER
B.) ALUMINUM ☼	6063 - T5	2.) MALLET
C.) STEEL ☼	STEEL	3.) PHILLIPS SCREWDRIVER
D.) PLASTIC	FLEXIBLE PVC	4.) CORDLESS DRILL
E.) GLASS	TEMPERED	
F.) INSERT TILES	1) TACKABLE ACOUSTICAL 2) STANDARD STEEL ☼ 3) EMBOSSED STEEL ☼ 4) PERFORATED STEEL ☼ 5) LAMINATE 6) GLASS 7) OPEN FRAME (ALUMINUM 6063-T5) ☼ 8) WHITE BOARD 9) VENEED 10) UTILITY (ALUMINUM 6063-T5) ☼	



PARTS	SPECS	TOOLS REQUIRED
A.) PLASTIC	ABS	1.) FLATHEAD SCREWDRIVER
B.) ALUMINUM	6063 - T5	2.) MALLET
C.) STEEL	STEEL	3.) PHILLIPS SCREWDRIVER
D.) INSERT TILES	1.) TACKABLE ACOUSTICAL 2.) STANDARD STEEL 3.) EMBOSSED STEEL 4.) PERFORATED STEEL 5.) LAMINATE 6.) GLASS 7.) OPEN FRAME (ALUMINUM 6063-T5) 8.) WHITE BOARD 9.) VENEED 10.) UTILITY (ALUMINUM 6063-T5)	4.) CORDLESS DRILL



PARTS	SPECS	TOOLS REQUIRED
A.) STEEL 	STEEL	1.) FLATHEAD SCREWDRIVER
B.) PLASTIC	RUBBER	2.) CORDLESS DRILL
C.) PEDASTAL FACE	1) STEEL  2) LAMINATE WITH PLASTIC PVC EDGE	3.) PHILLIPS SCREWDRIVER
		4.) 3/8 WRENCH