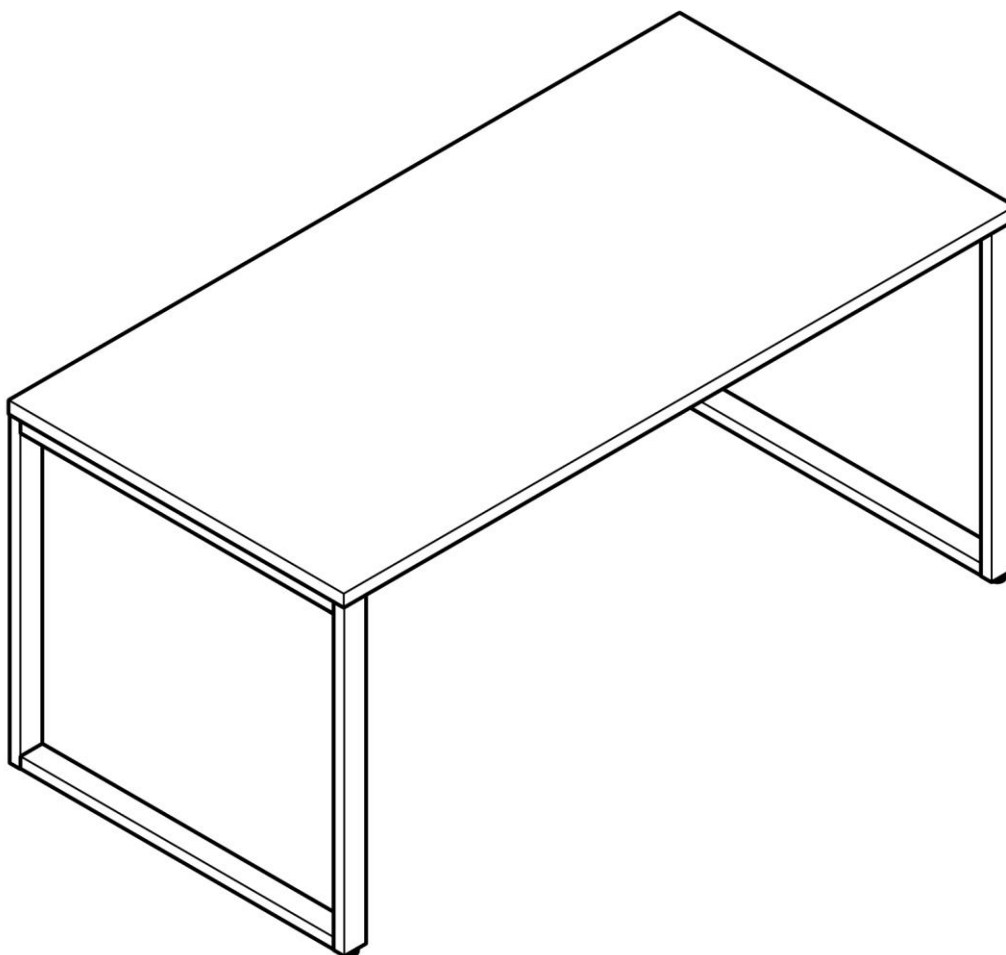
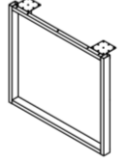
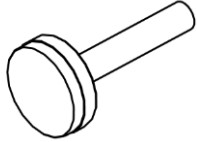
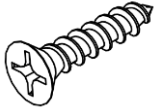



Date	Page No.	Description of change	Name
1/16/2022	1-5	Released	S. Powers
08/11/2022	5	Added shared leg instructions	S. Powers



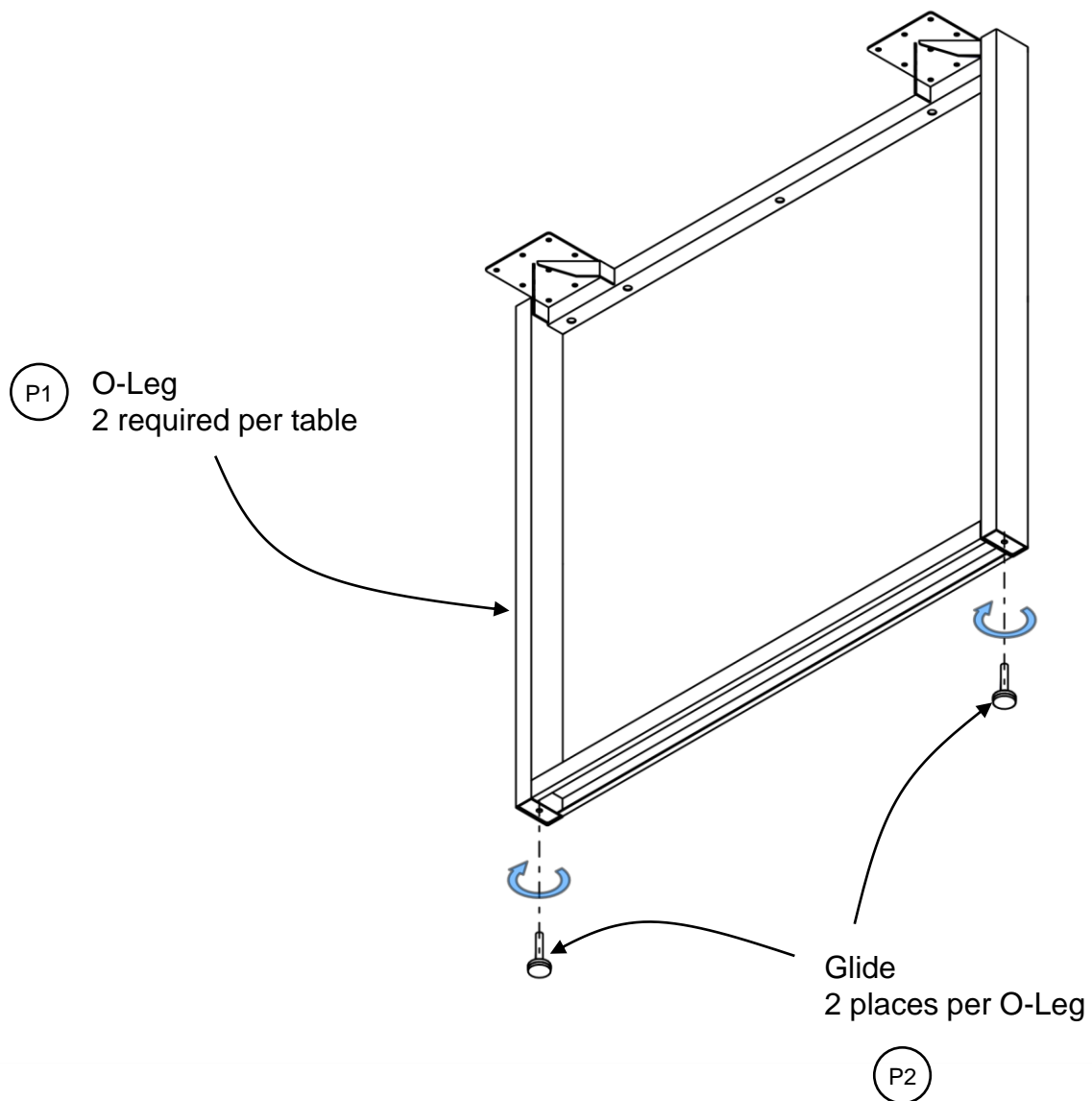
O-Leg Table Installation Instructions

Parts List

Item	Replacement Part number	Circle Sheet Part Number	Description	Image
P1	WFS-OL27xxFS-2 xx = 18, 24, 30 or 36	RC-SOL27xxFS-2 xx = 18, 24, 30 or 36	Freestanding O-Leg	
P2	WFS-GL51618-I	RWFS-GL51618-I	5/16-18 Glide	
P3	RH-QS0978	RH-QS0978	Flat Head Screw #9 x 7/8"	
P4	T-UCKxx xx= 36-72 (increments of 6")	RWPS-HSxx xx= 36-72 (increments of 6")	U-Channel	

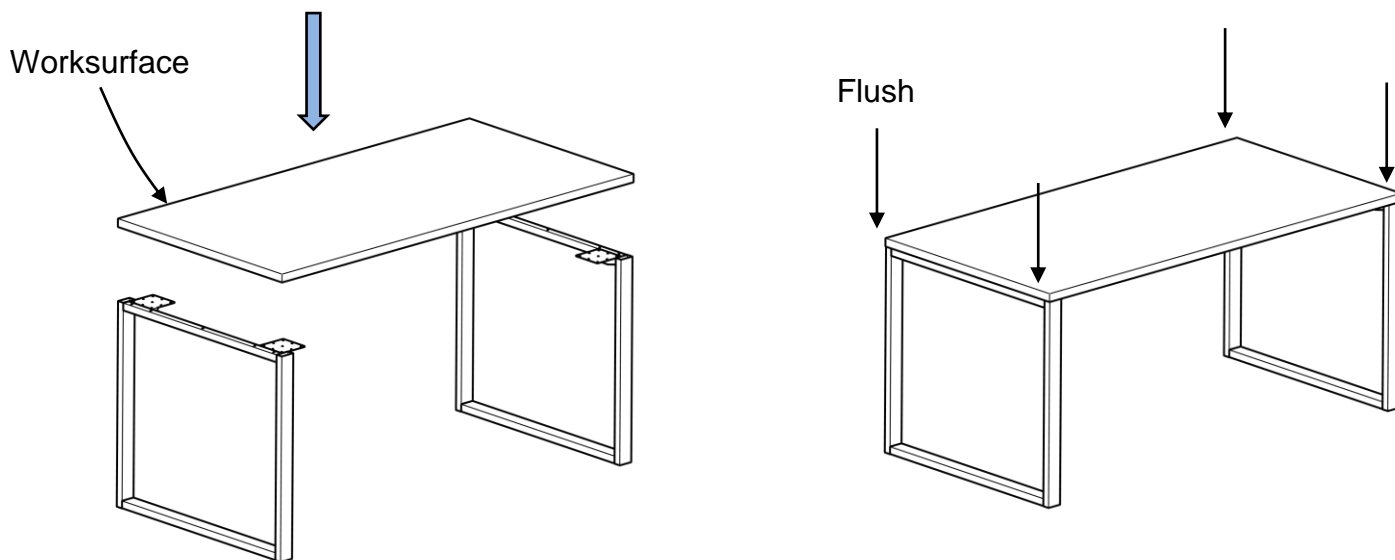
O-Leg Table Installation Instructions

Step 1: Install glides into the bottom of each O-Leg.



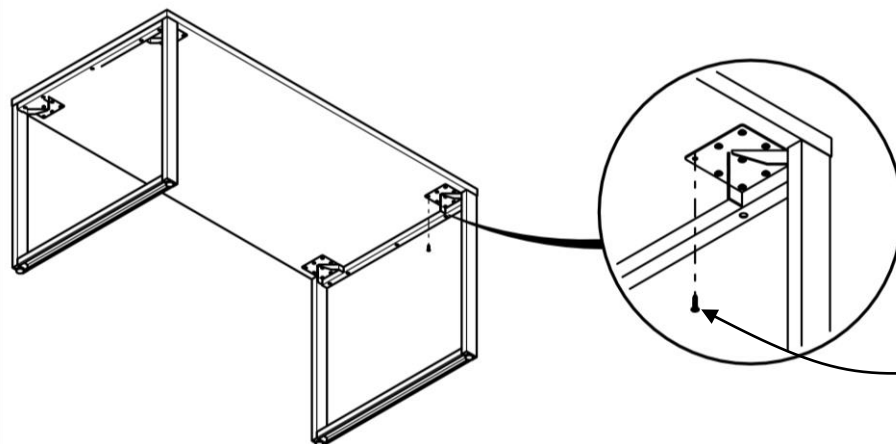
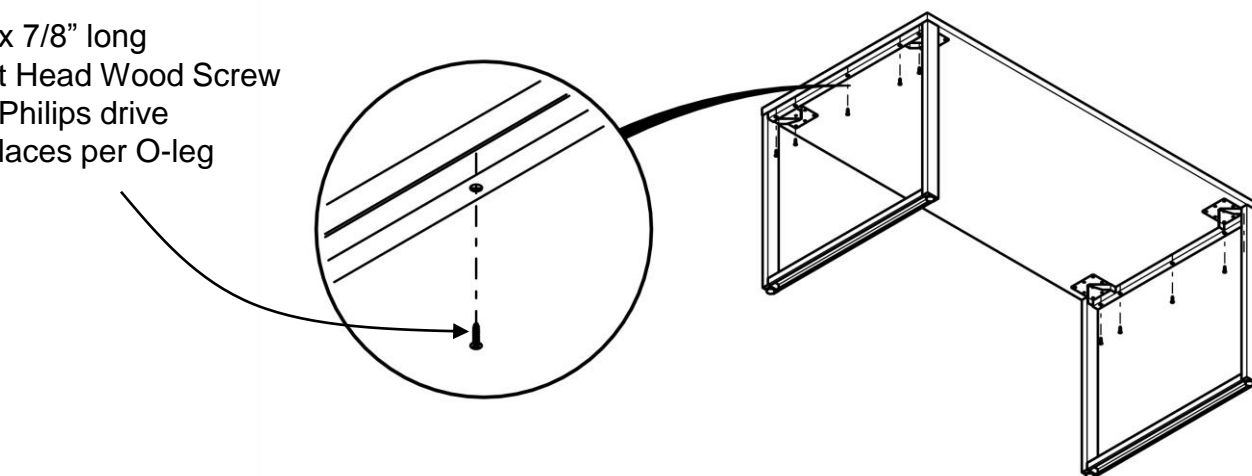
O-Leg Table Installation Instructions

Step 2a: Align O-Legs to the worksurface and secure using #9 x 7/8" worksurface screws.
Note: For shared leg configurations see step 2b for positioning.



P3

#9 x 7/8" long
Flat Head Wood Screw
#2 Philips drive
5 places per O-leg

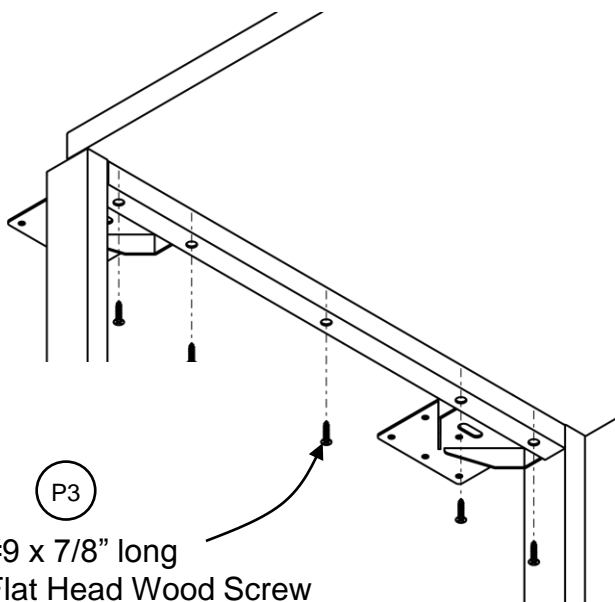
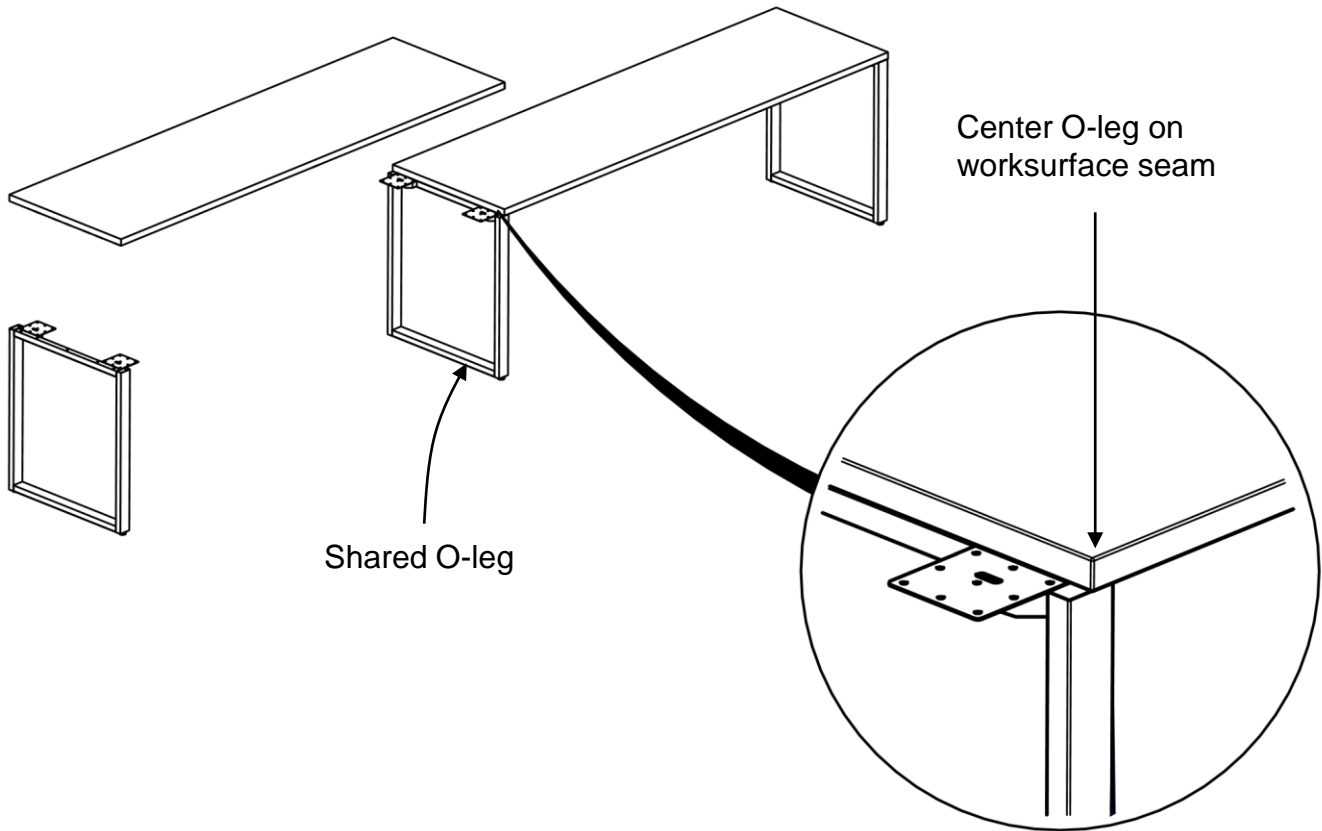


P3

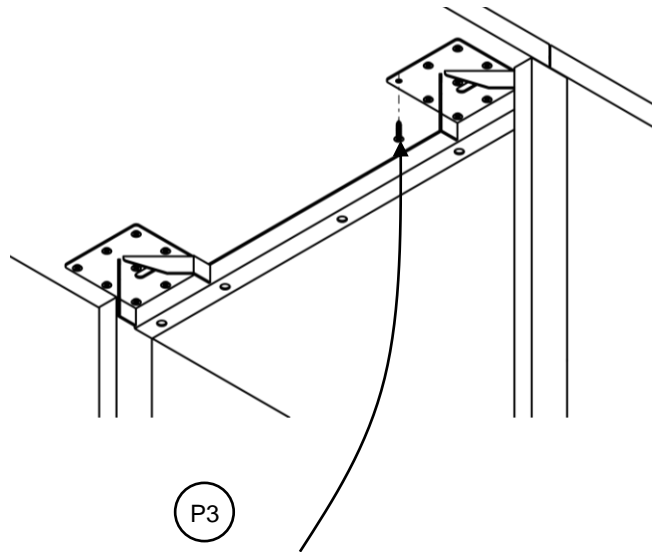
#9 x 7/8" long
Flat Head Wood Screw
#2 Philips drive
18 places per O-Leg

O-Leg Table Installation Instructions

Step 2b (for shared leg configurations): Align the edge of the shared O-Leg to the worksurface seam and secure using #9 x 7/8" worksurface screws.



#9 x 7/8" long
Flat Head Wood Screw
#2 Philips drive
5 places per O-leg



#9 x 7/8" long
Flat Head Wood Screw
#2 Philips drive
18 places per O-Leg

O-Leg Table Installation Instructions

Step 3: Install U-Channels to the worksurface using #9 x 7/8" worksurface screws.

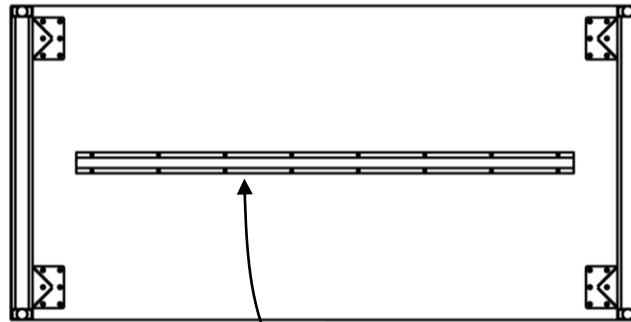
U-Channel

18D X 48W – 84W = Qty 1

24D X 48W – 72W = Qty 1

30D X 48W – 72W = Qty 1

36D X 48W – 72W = Qty 1



Center U-Channel
on Worksurface

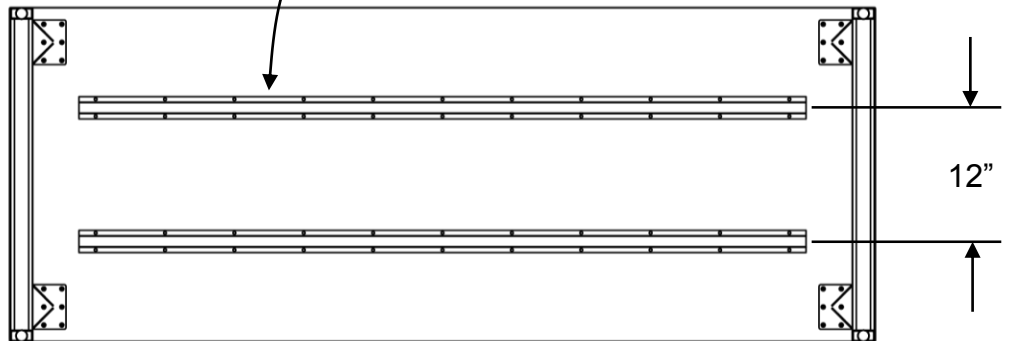
P4

U-Channel

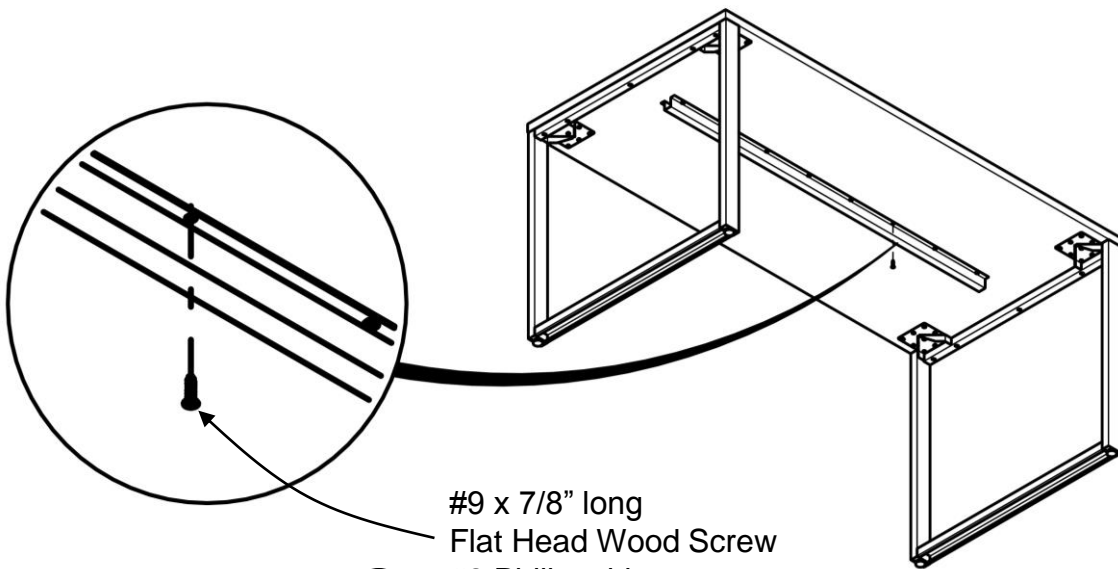
24D X 78W – 84W = Qty 2

30D X 78W – 84W = Qty 2

36D X 78W – 84W = Qty 2



12"



#9 x 7/8" long
Flat Head Wood Screw
#2 Philips drive
Install screws in all hole
locations

P3