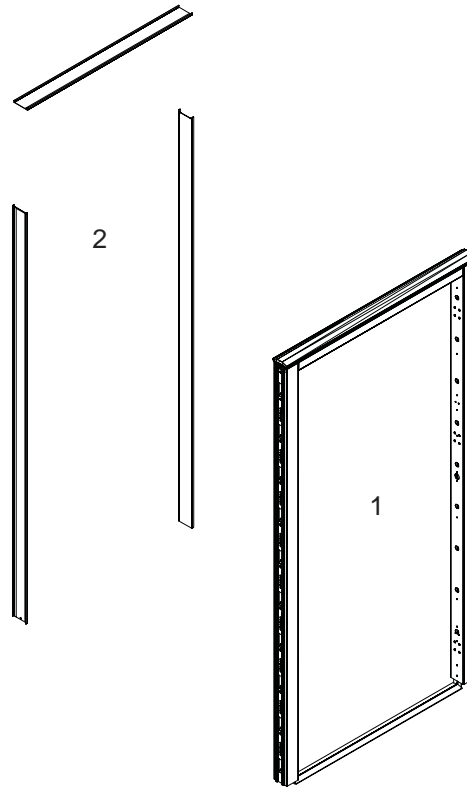


Details

Matrix Arch Door Frame installs using the same method as standard frames, with the addition of a threshold and field installed trim covers.

Handle Parts

1. Door Frame
2. Trim Covers



Step 1

Once the frame is installed, adjust the threshold height as needed. Once this is done, attach the trim covers (using the pre-installed double-sided tape) to the frame.

Note: Install the side covers first, and the top cover second.

