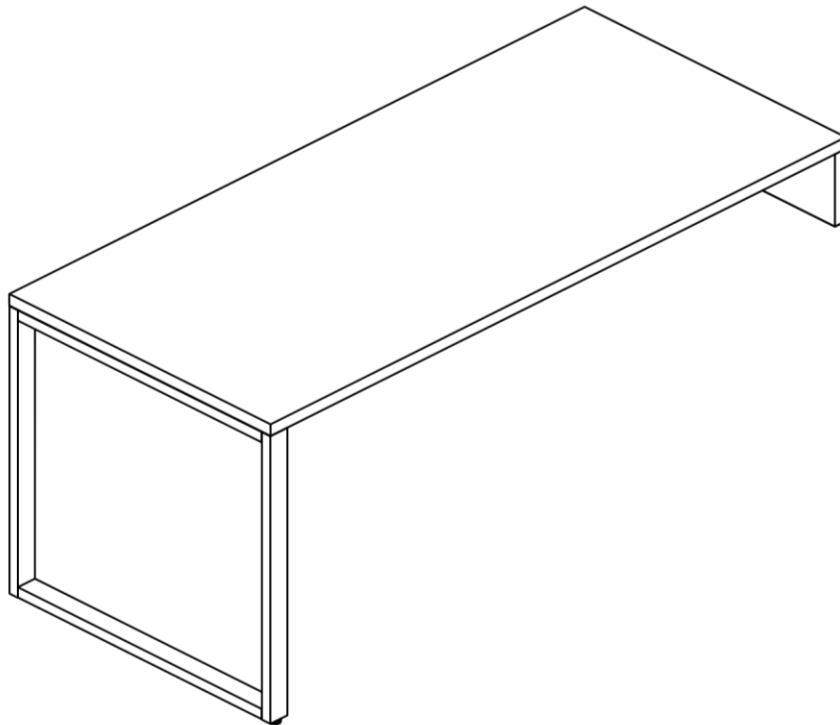
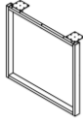
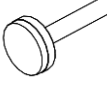
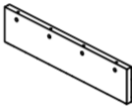
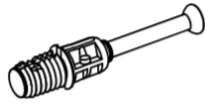

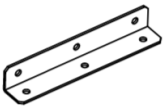

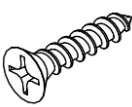



# Stack-On Desk with O-Legs Installation Instructions

Date	Page No.	Description of change	Name
2/14/2022	1-6	Released	S. Powers

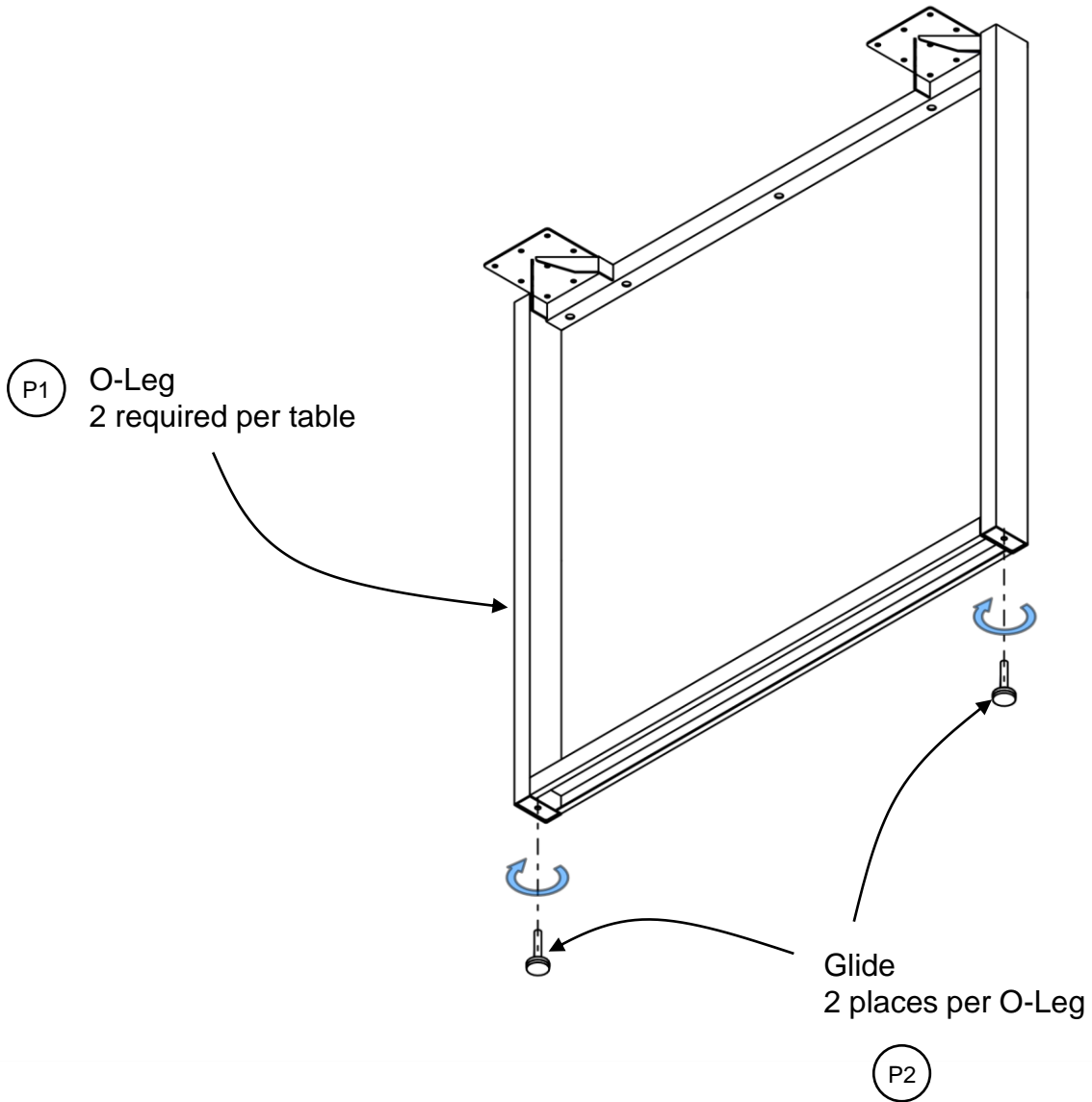


# Stack-On Desk with O-Legs Installation Instructions

Item	Replacement Part number	Circle Sheet Part Number	Description	Image
P1	WFS-OL27xxFS-2 xx = 24, 30 or 36	RC-SOL27xxFS-2 xx = 24, 30 or 36	O-Leg	
P2	WFS-GL51618-I	RWFS-GL51618-I	5/16-18 Glide	
P3			Worksurface	
P4			Riser Panel	
P5	RH-DU325	RH-DU325	Anchor Pin	
P6	RH-0079485	RH-0079485	Cam Bushing	
P7	O-LB2	OX-LB2	L-Bracket	
P8	RS-HS834	RS-HS834	#9 x 3/4" Flat Head Screw	
P9	RH-QS0978	RH-QS0978	#9 x 7/8" Flat Head Screw	
P10	T-UCKxx xx= 36-72 (increments of 6")	RWPS-HSxx xx= 36-72 (increments of 6")	U-Channel	
P11	RC-HDST	RC-HDST	Double Sided Tape	

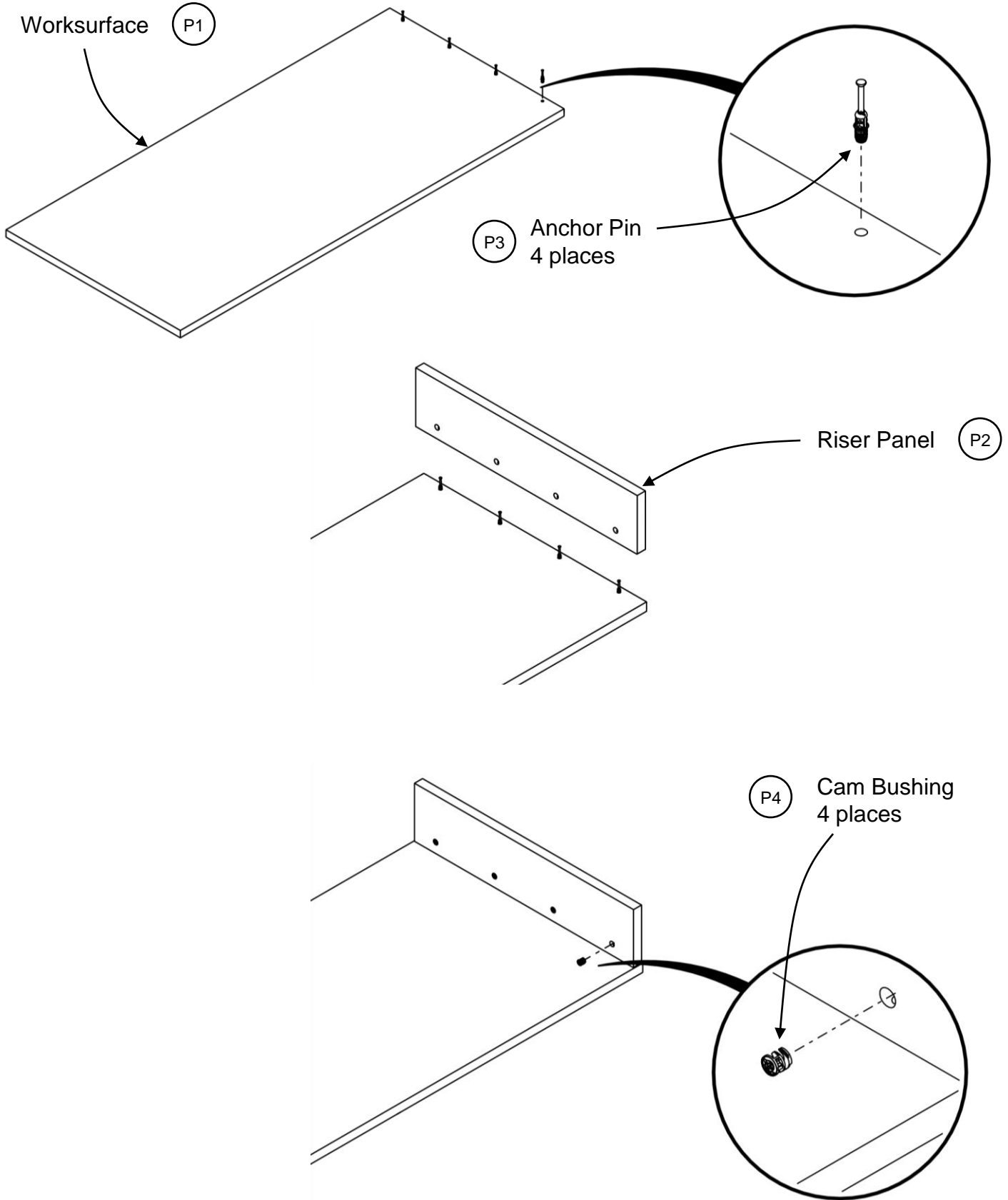
# Stack-On Desk with O-Legs Installation Instructions

**Step 1:** Install glides into the bottom of each O-Leg.



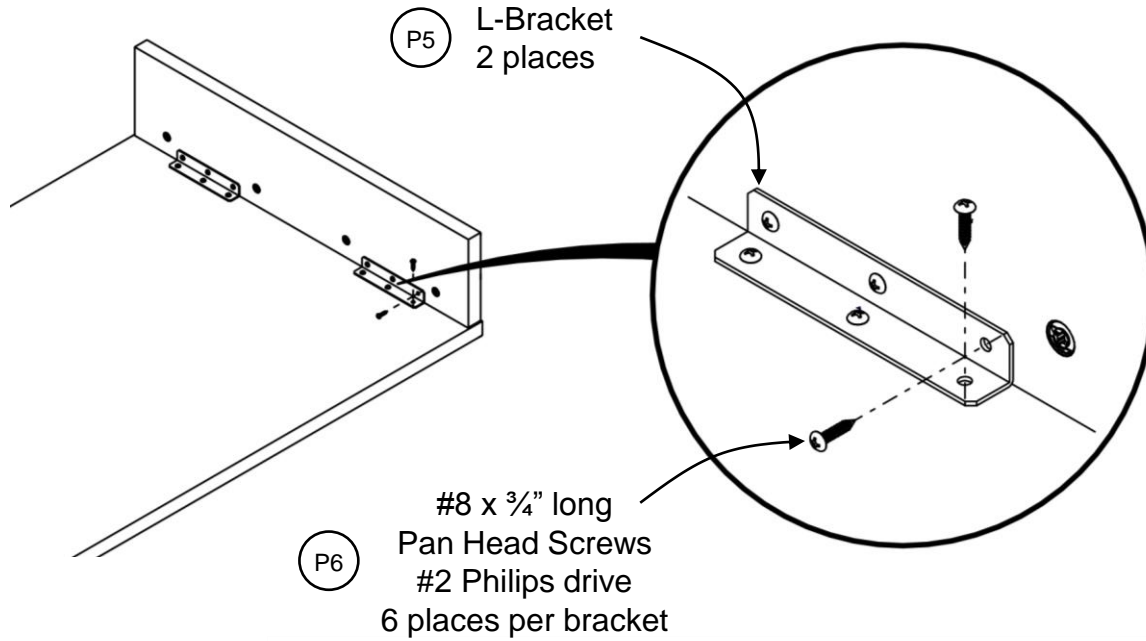
# Stack-On Desk with O-Legs Installation Instructions

**Step 2:** Install the riser panel to the worksurface using locking cams and pins.

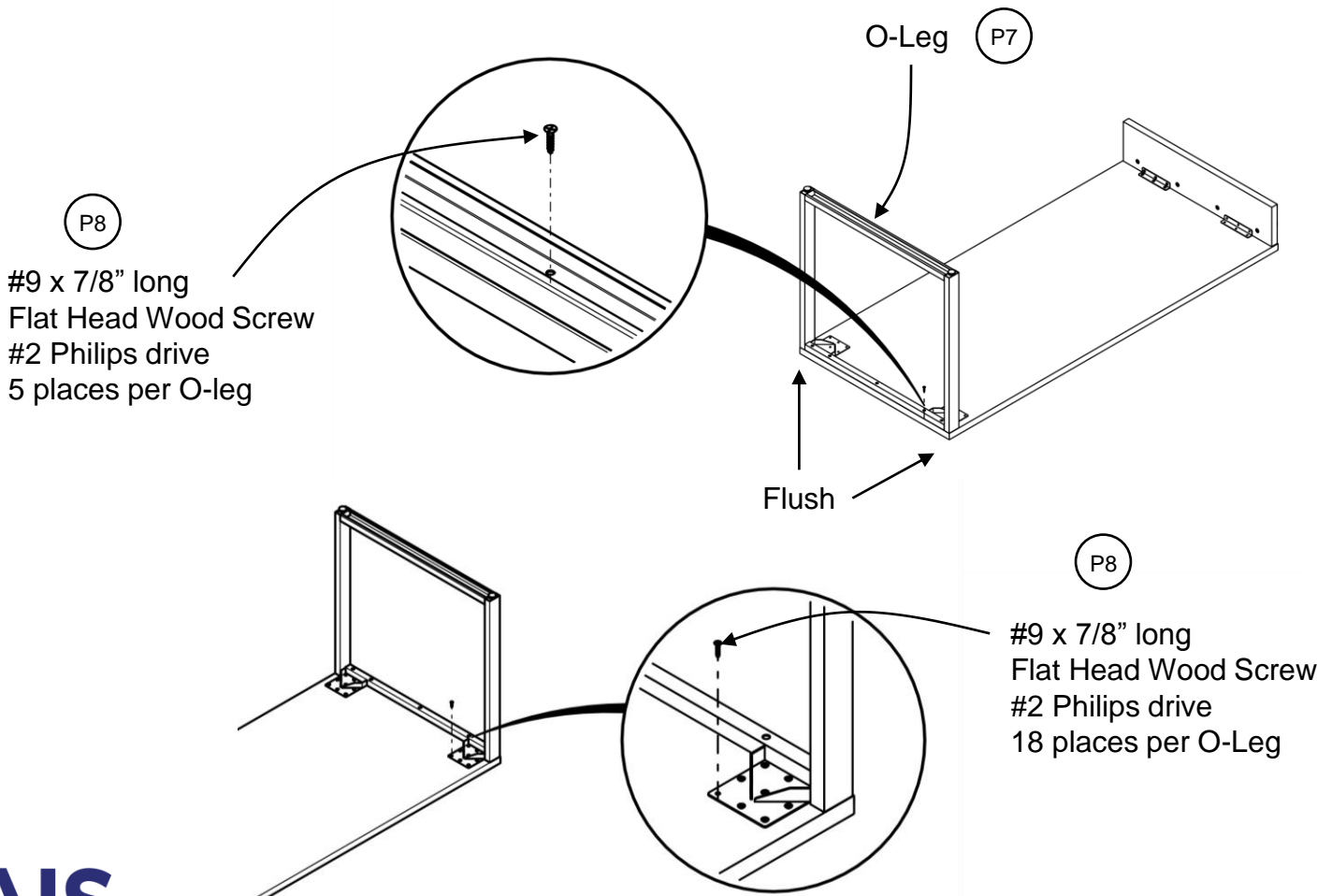


# Stack-On Desk with O-Legs Installation Instructions

**Step 3:** Install the L-brackets using #8 x 3/4" screws.

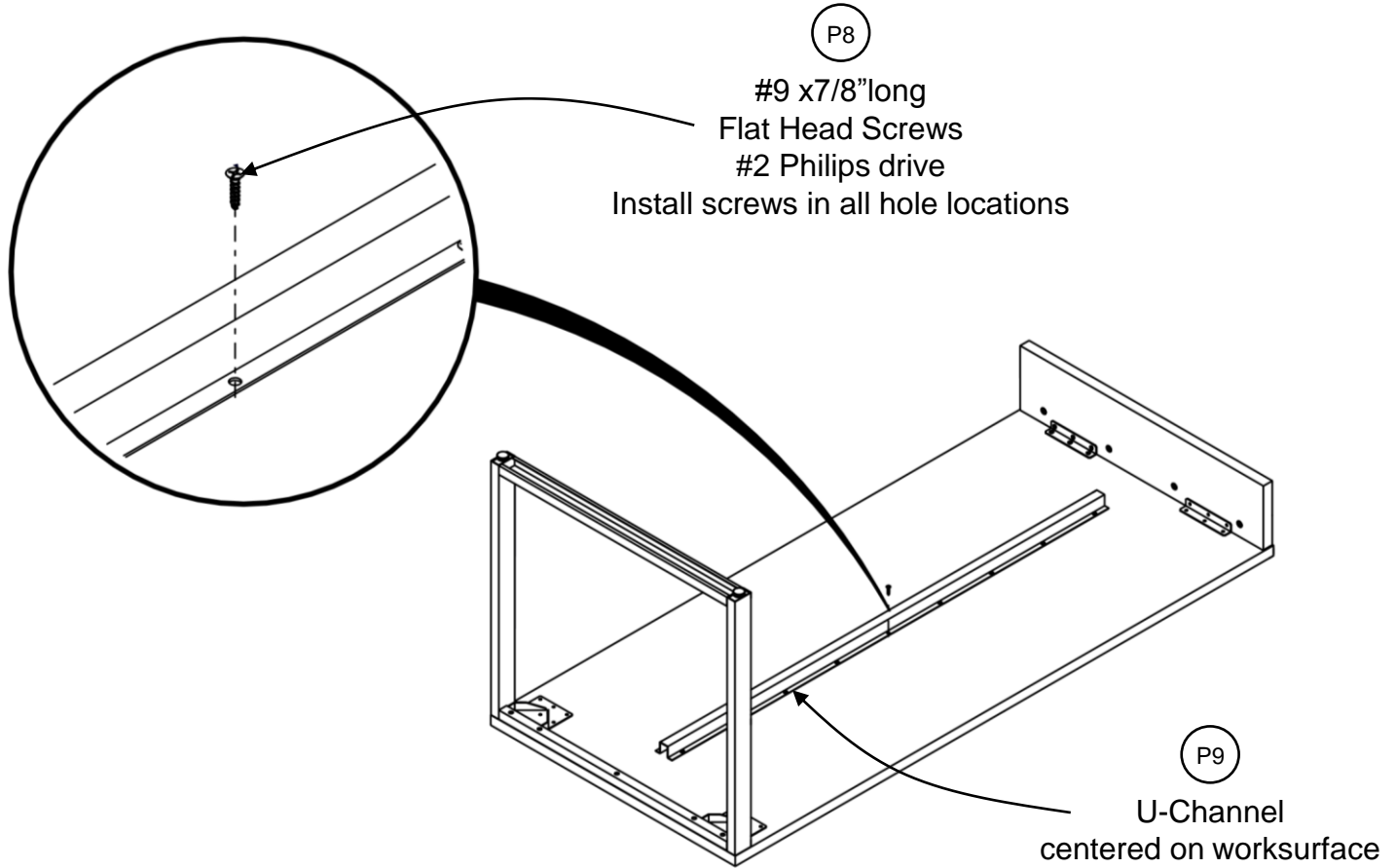


**Step 4:** Align O-Legs to the worksurface and secure using #9 x 7/8" worksurface screws.



# Stack-On Desk with O-Legs Installation Instructions

**Step 5:** Install the U-Channel using #9 x7/8" screws.



**Step 6:** Position the riser panel to the casegood per the design spec and secure in place using double sided foam tape.

