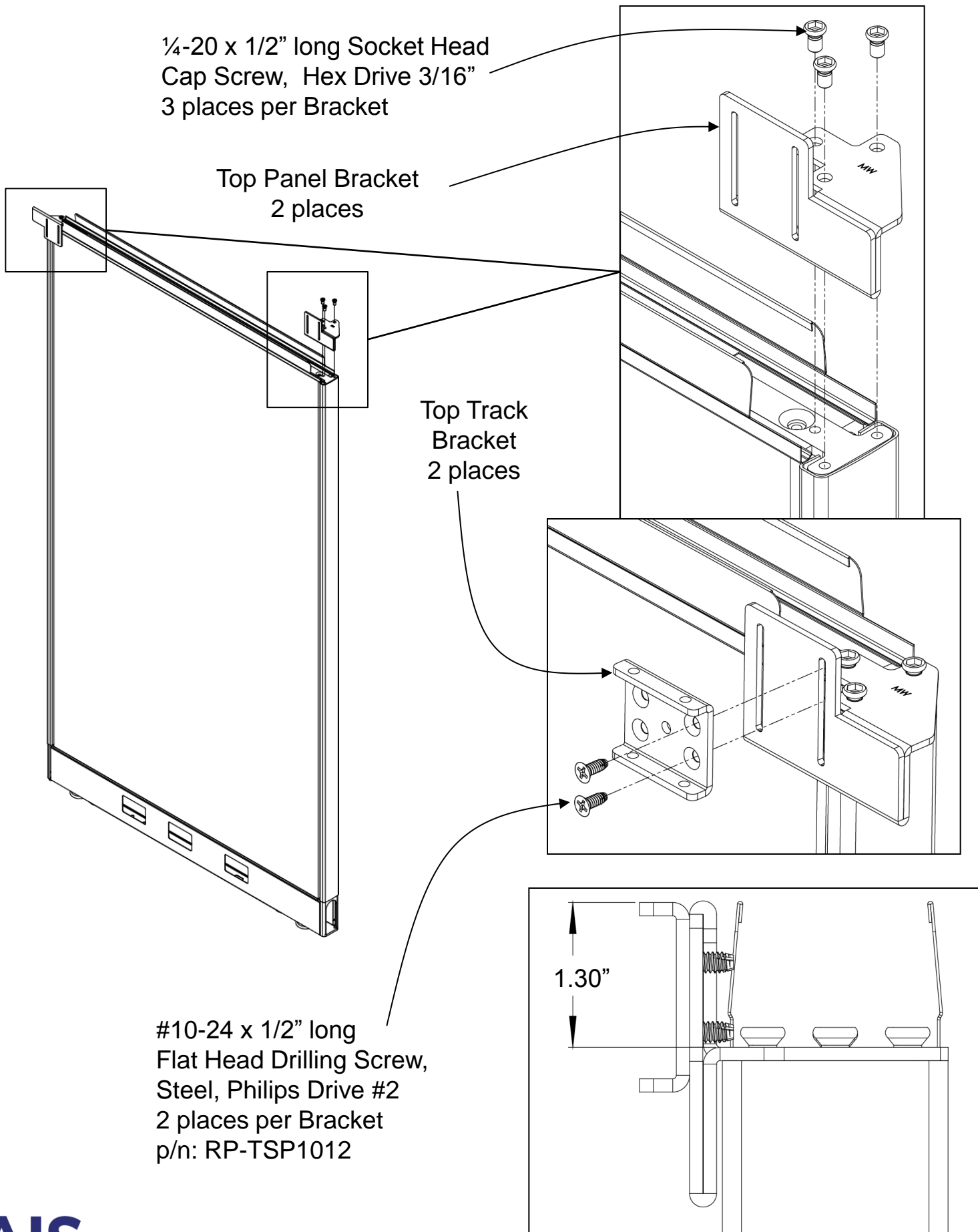


Date	Page No.	Description of change	Name
8/7/2018	1-4	Released	S. Powers
9/21/2018	5	Added handle and lock instruction page	S. Powers

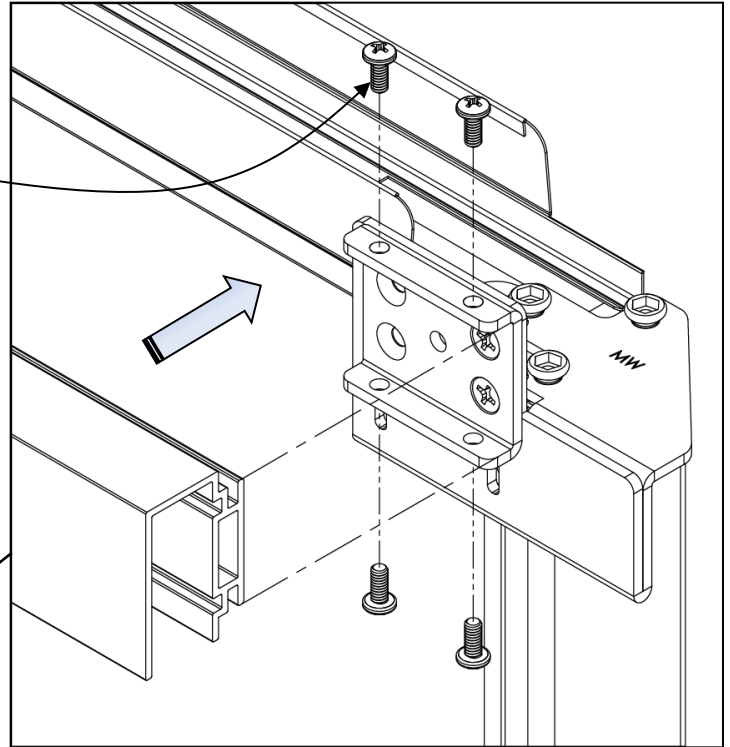
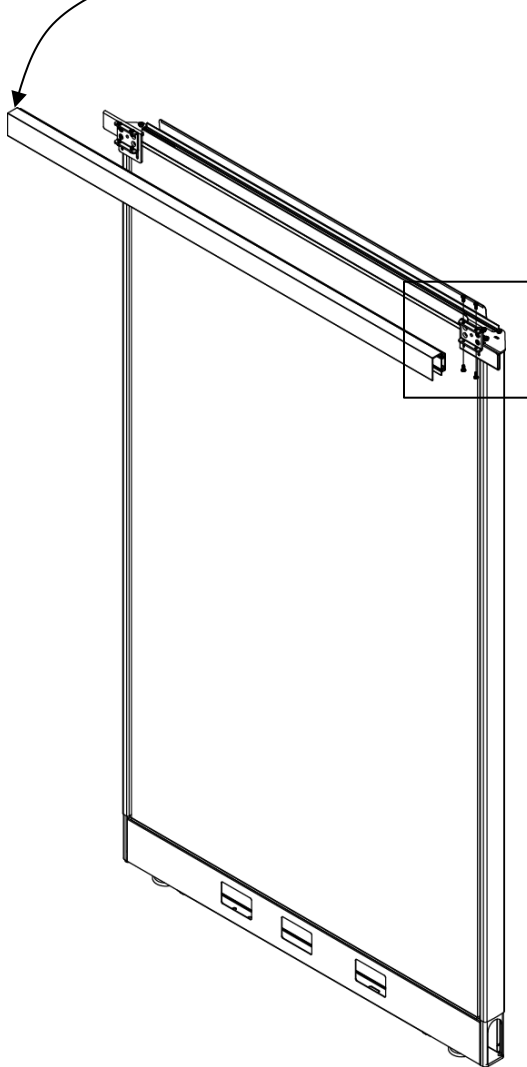
Sliding Door – MWall



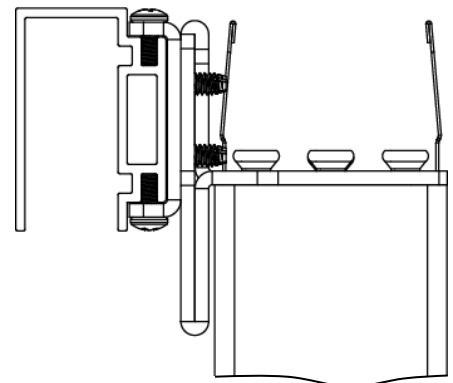
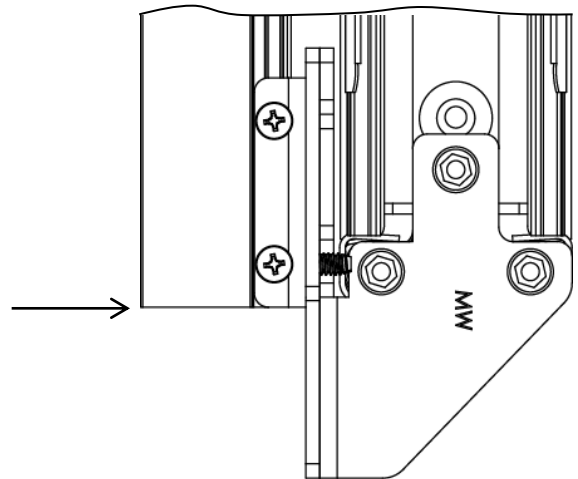
Sliding Door – MWall

#8-32 x 3/8" long
Pan Head Screw, Steel,
Philips Drive #2
4 places per Bracket
p/n: RS-HSSE3

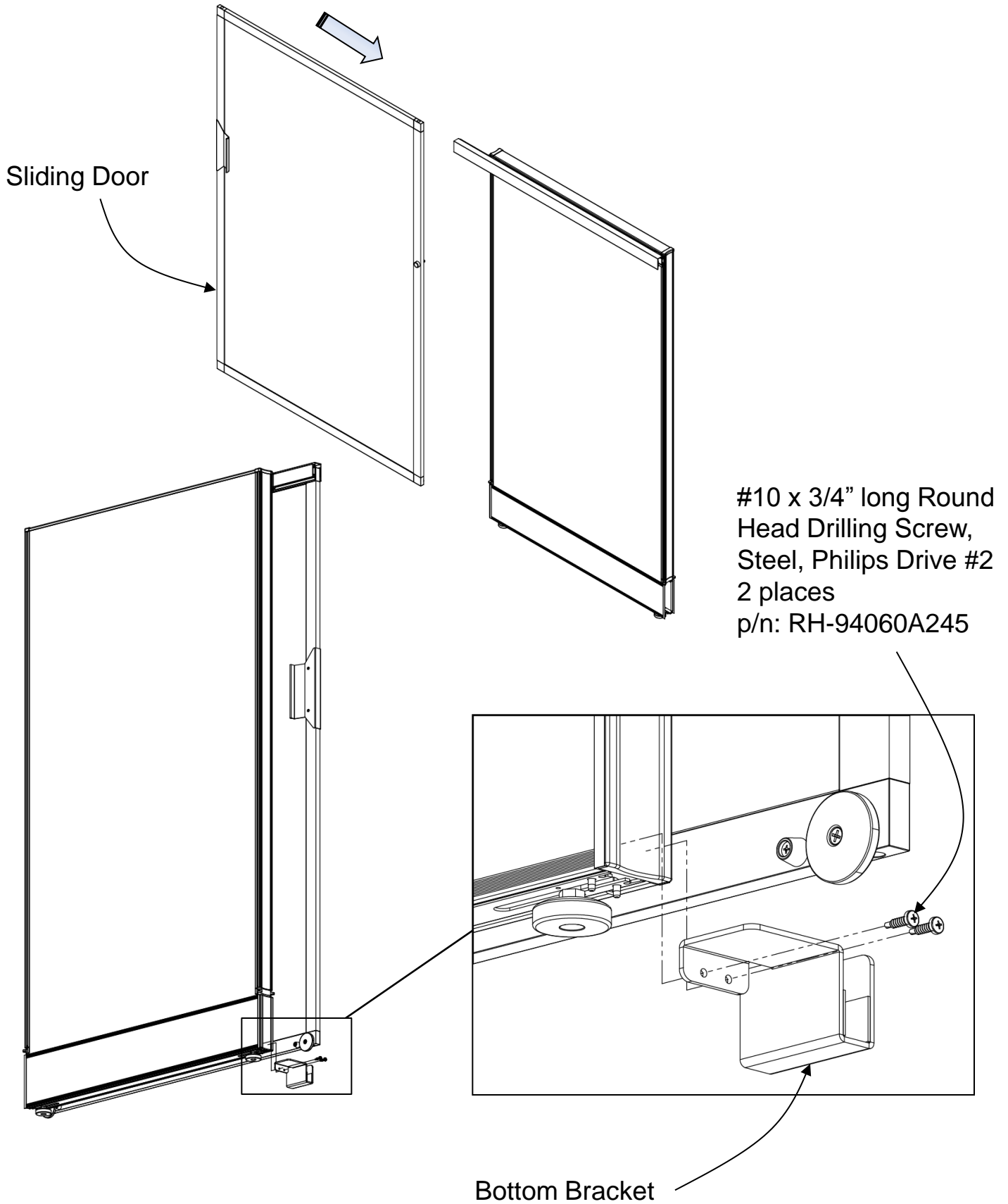
Sliding Track



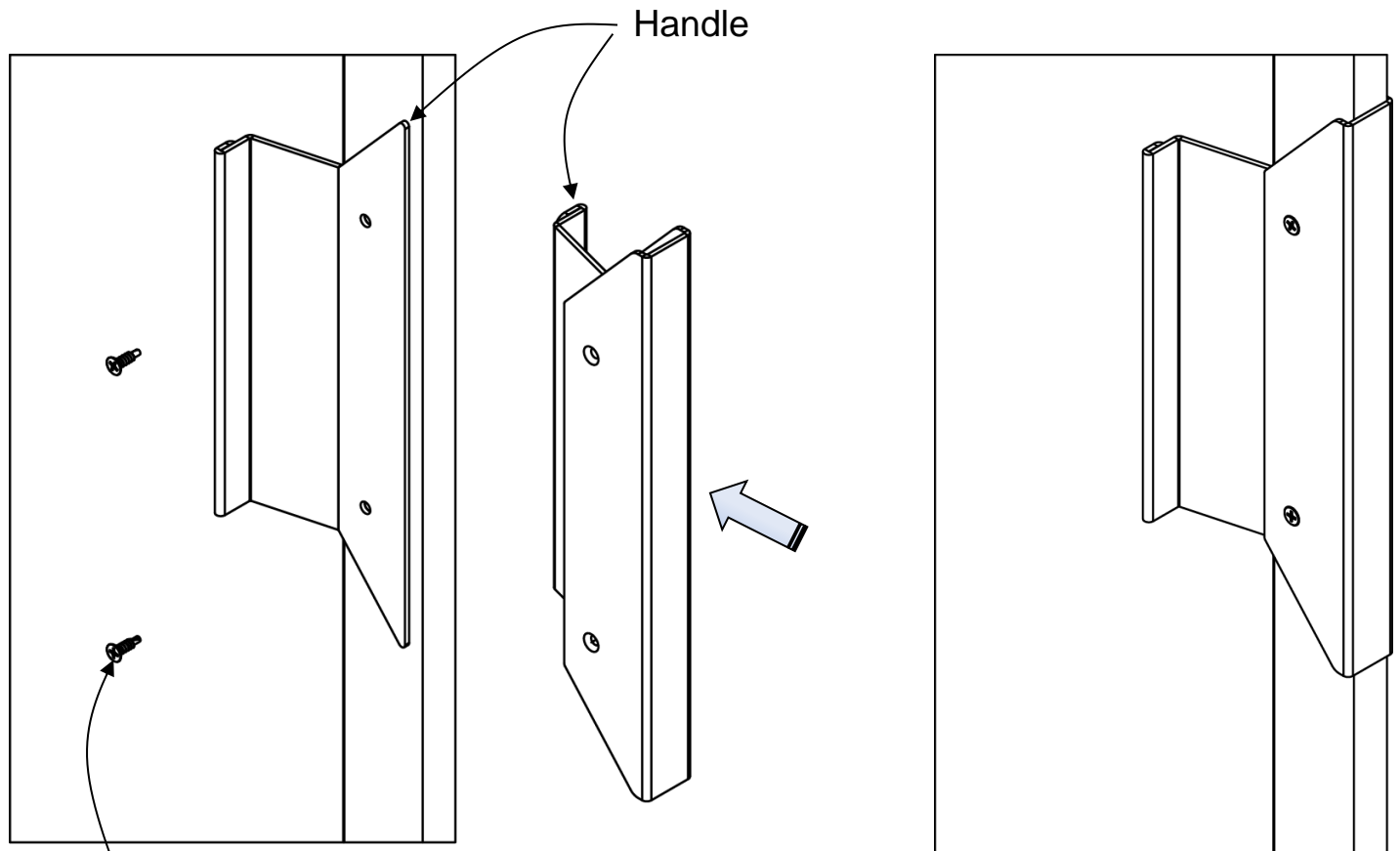
Flush



Sliding Door – MWall



Sliding Door – MWall



#6 X 1/2" long
Flat Head Drilling
Screw
RH-TSSF612
2 places

