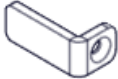




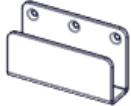


Date	Page No.	Description of change	Name
8/7/2018	1-4	Released	S. Powers
9/21/2018	5	Added handle and lock instruction page	S. Powers
11/14/18	6	Lock panel bracket added	S. Powers
3/19/19	5	Added wall bracket instructions	S. Powers
9/4/2020	2-7	New brackets to install, added parts list	S. Powers


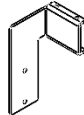
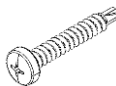




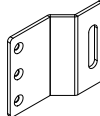
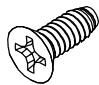
Sliding Door – MWall

Parts List

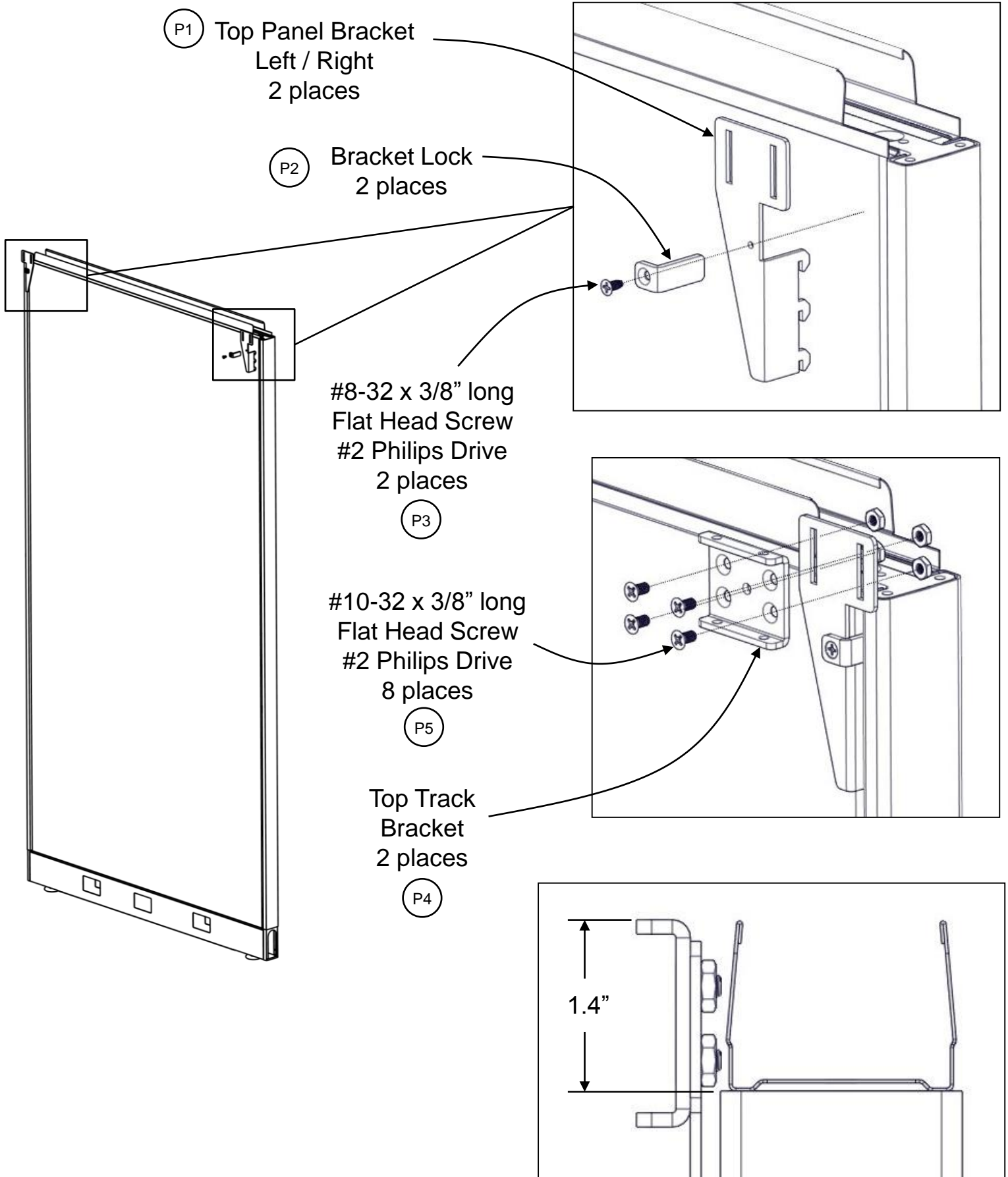
Item	Replacement Part number	Circle Sheet Part Number	Description	Image
P1	TBD	TBD	Top Panel Brackets Left and Right	
P2	RP-SALRPSTLB	RP-SALRPSTLB	Bracket Lock	
P3	RH-83238B	RH-83238B	#8-32 x 3/8" Flat Head Screw	
P4	RA-TBSLDDVMW	RA-TBSLDDVMW	Top Track Bracket	
P5	RH-MSZFP103238	RH-MSZFP103238	#10-32 x 3/8" Screw	
P6	RA-RPSTTBMWxx xx = 36, 42, 48	RA-RPSTTBMWxx xx = 36, 42, 48	Top Track Bar	
P7	RS-HSSE3	RS-HSSE3	#8-32 X 3/8" Pan Head Screw	
P8	RP-MWSLDBBL (left) RP-MWSLDBBR (right)	RP-MWSLDBBL (left) RP-MWSLDBBR (right)	Bottom Bracket Left or Right	
P9	RP-SAHB	RP-SAHB	1/4-20 x 1/2" Hex Cap Screw	
P10	RP-MWSLDLG	RP-MWSLDLG	Lower Guide	

Sliding Door – MWall

Parts List

Item	Replacement Part number	Circle Sheet Part Number	Description	Image
P11	RH-HNZK1032	RH-HNZK1032	10-32 Nut	
P12	RH-RPSLWAMWL (left) RH-RPSLWAMWR (right)	RH-RPSLWAMWL (left) RH-RPSLWAMWR (right)	Top Wall Bracket Left or Right	
P13	RH-94060A246	RH-94060A246	#10 x 1 1/4" Pan Head Screw	
P14	RA-RPSLHF	RA-RPSLHF	Handle Front	
P15	RA-RPSLHR	RA-RPSLHR	Handle Rear	
P16	RH-RSSF612	RH-RSSF612	#6 X 1/2" Flat Head Screw	
P17	RP-PPSLD	RP-PPSLD	Lock	
P18	RP-MWSBSLD	RP-MWSBSLD	Lock Panel Bracket	
P19	RP-TSP1012	RP-TSP1012	#10-24 x 1/2" Flat Head Screw	

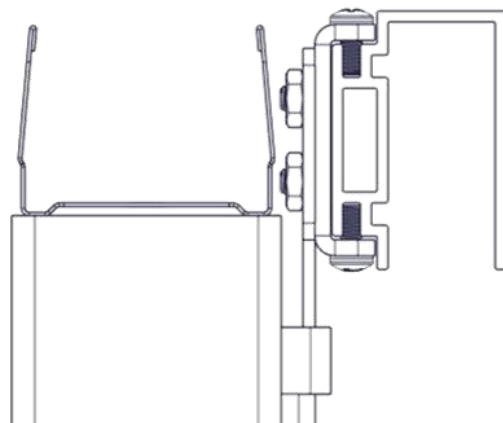
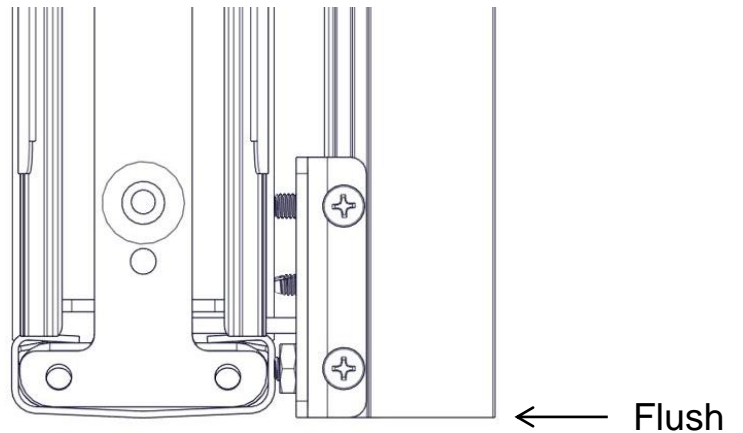
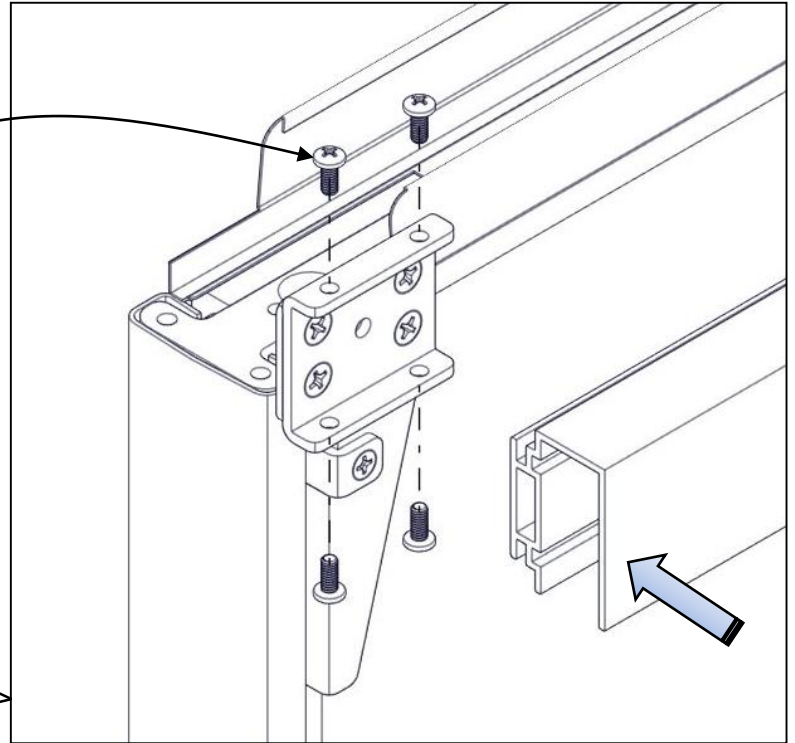
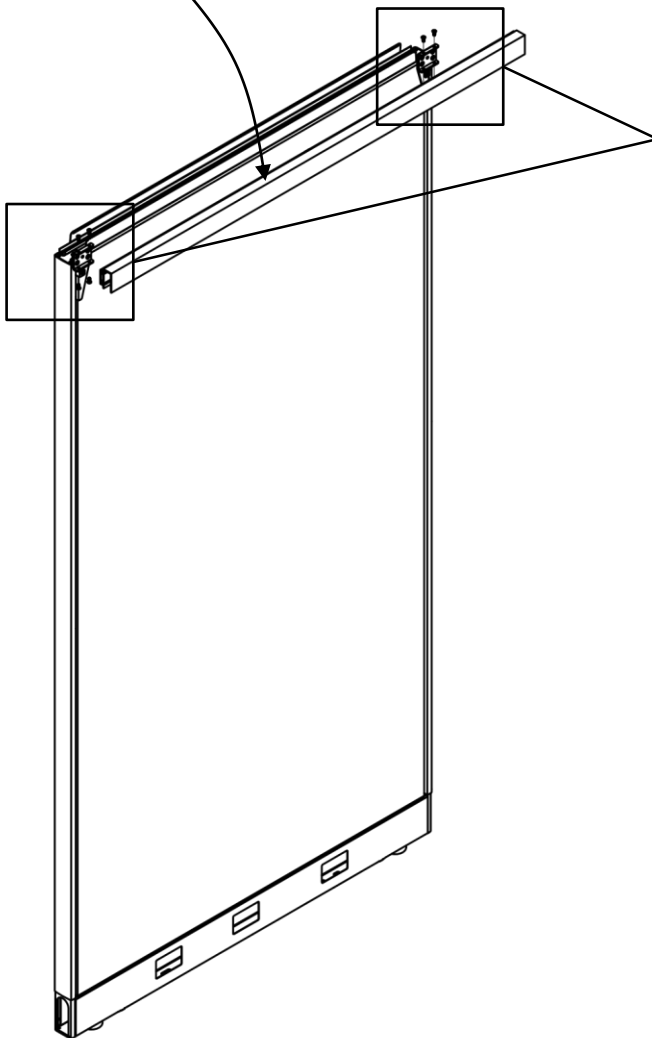
Sliding Door – MWall



Sliding Door – MWall

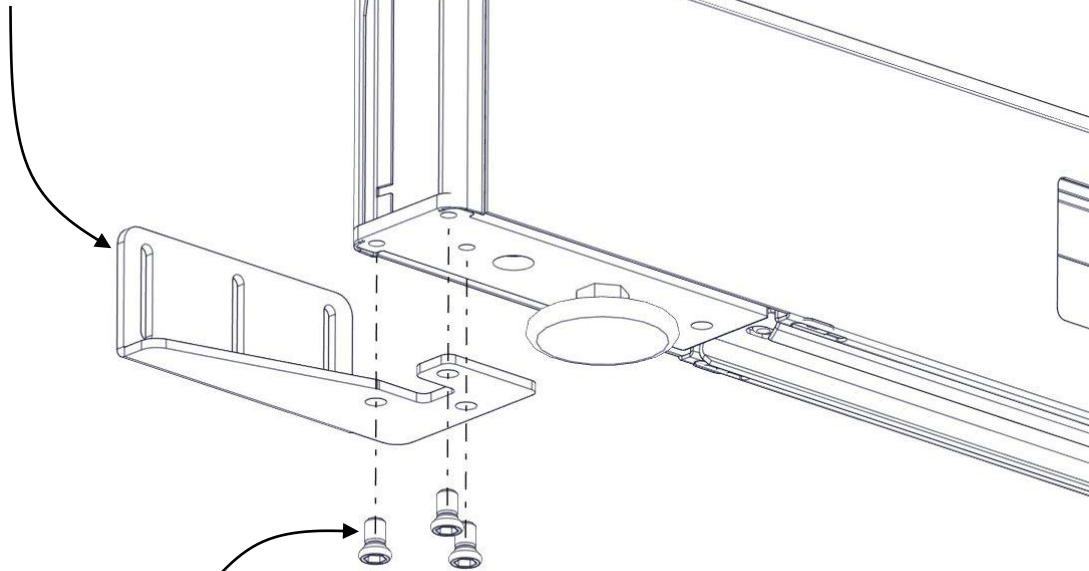
P7 #8-32 x 3/8" long
Pan Head Screw
Philips Drive #2
4 places per Bracket

P6 Top Track Bar



Sliding Door – MWall

P8 Bottom Bracket
Left or Right

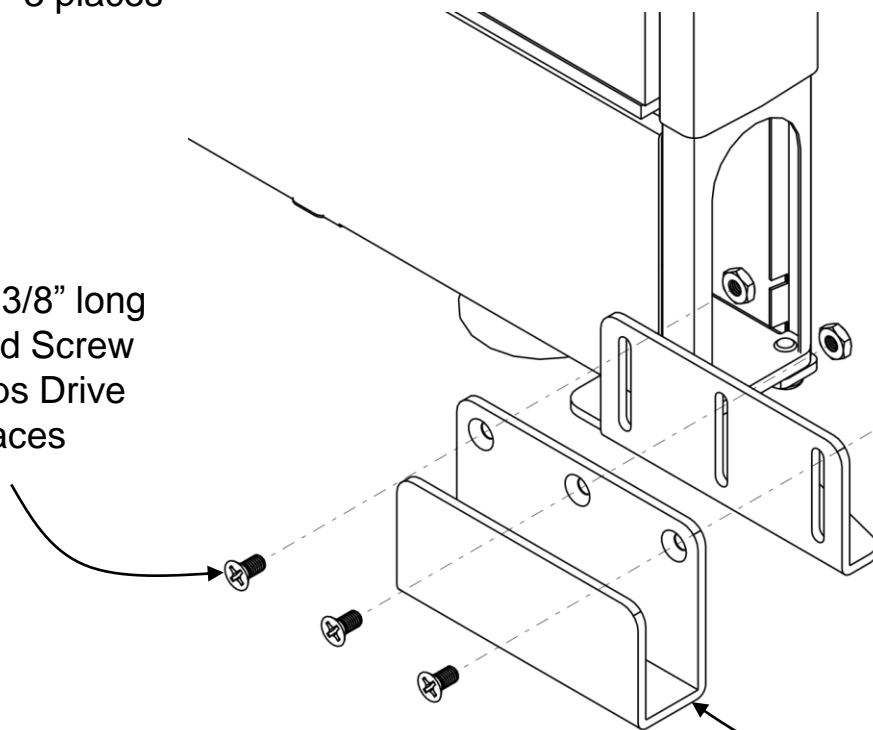


P9

1/4-20 x 1/2" long Socket Head
Cap Screw, Hex Drive 3/16"
3 places

P3

#10-32 x 3/8" long
Flat Head Screw
#2 Philips Drive
3 places



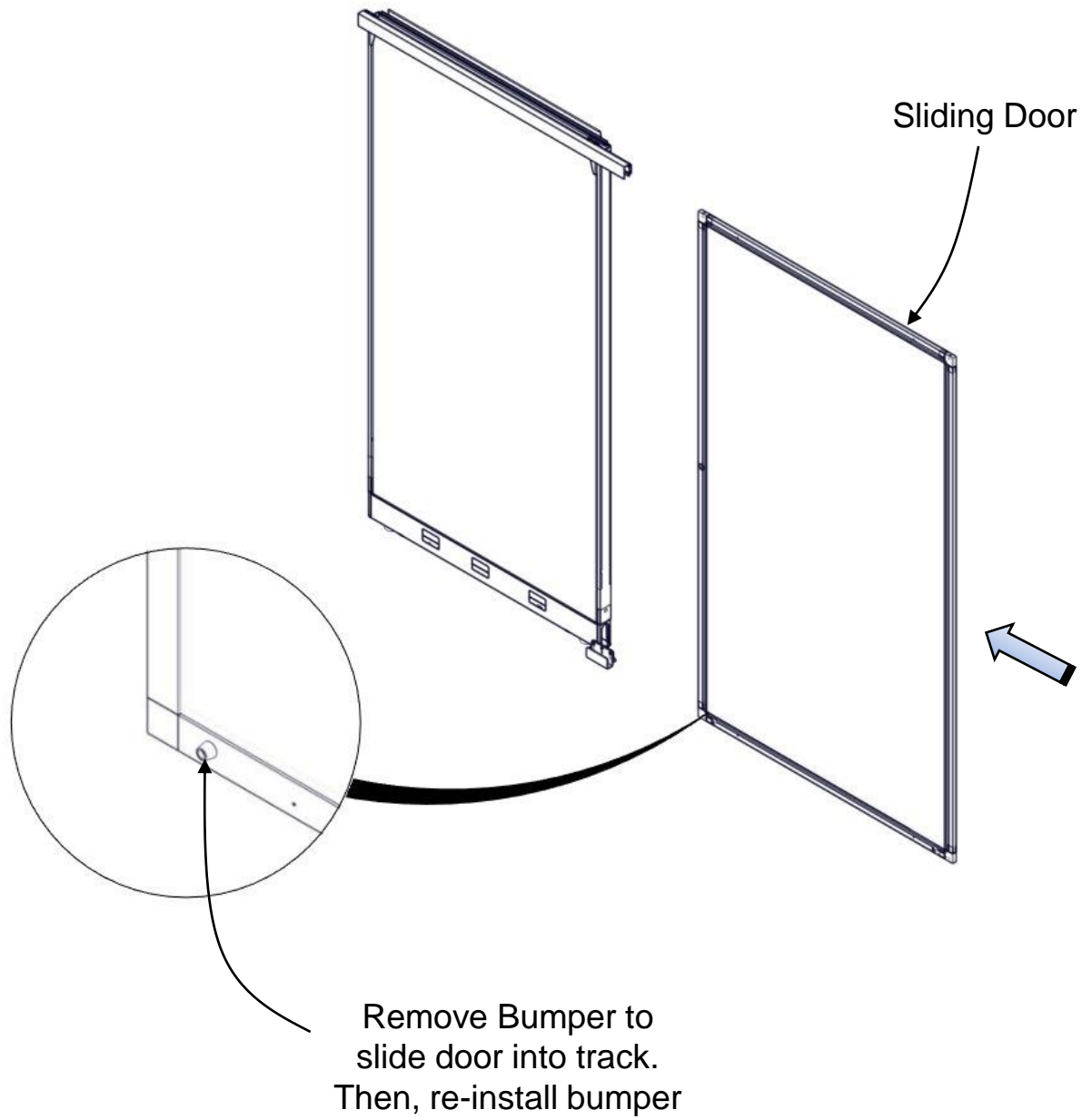
P11

#10-32 Nut
3 places

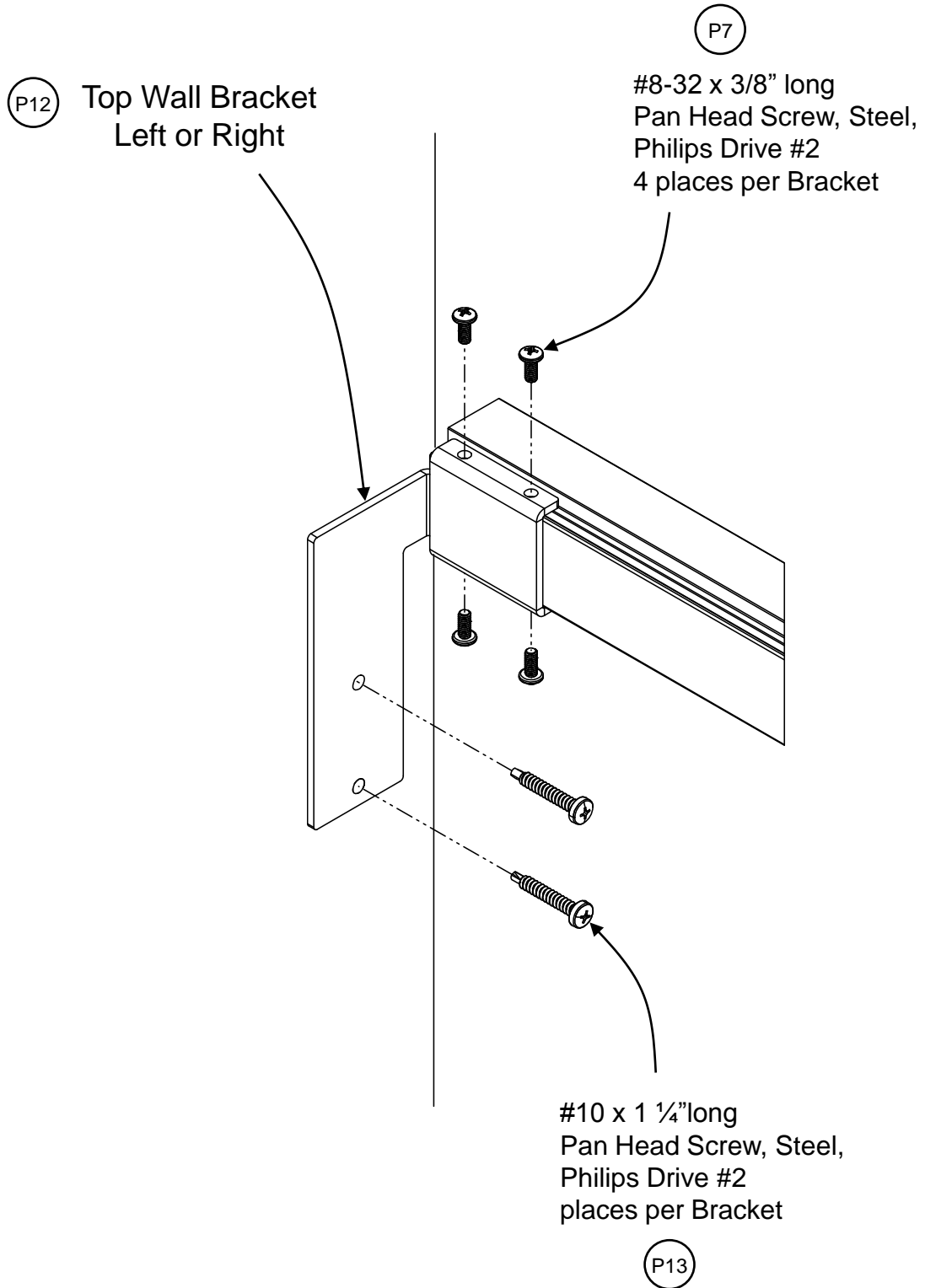
P10

Lower Guide

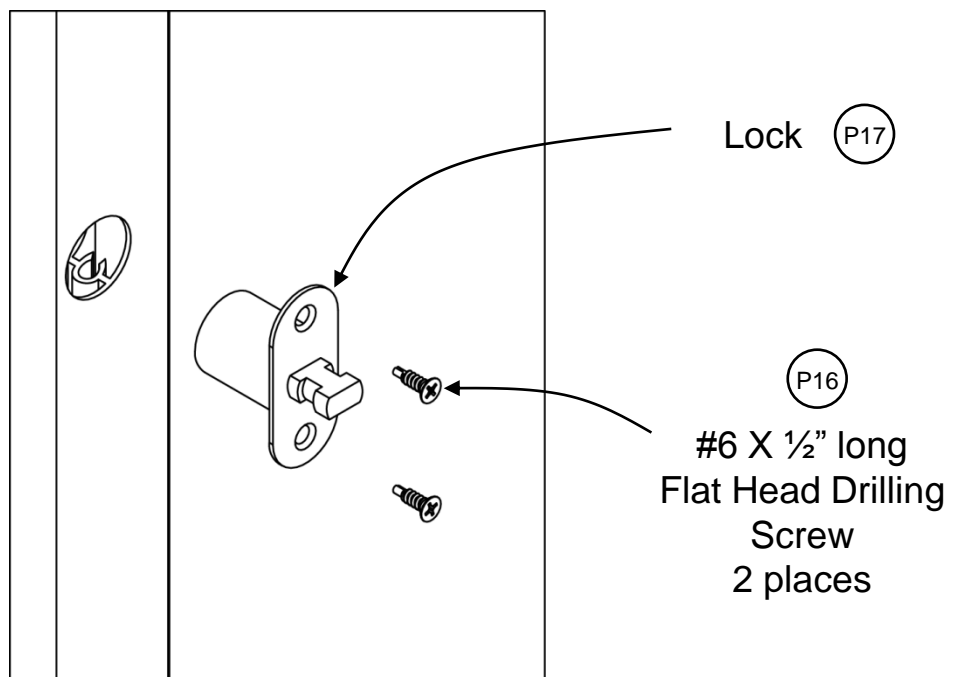
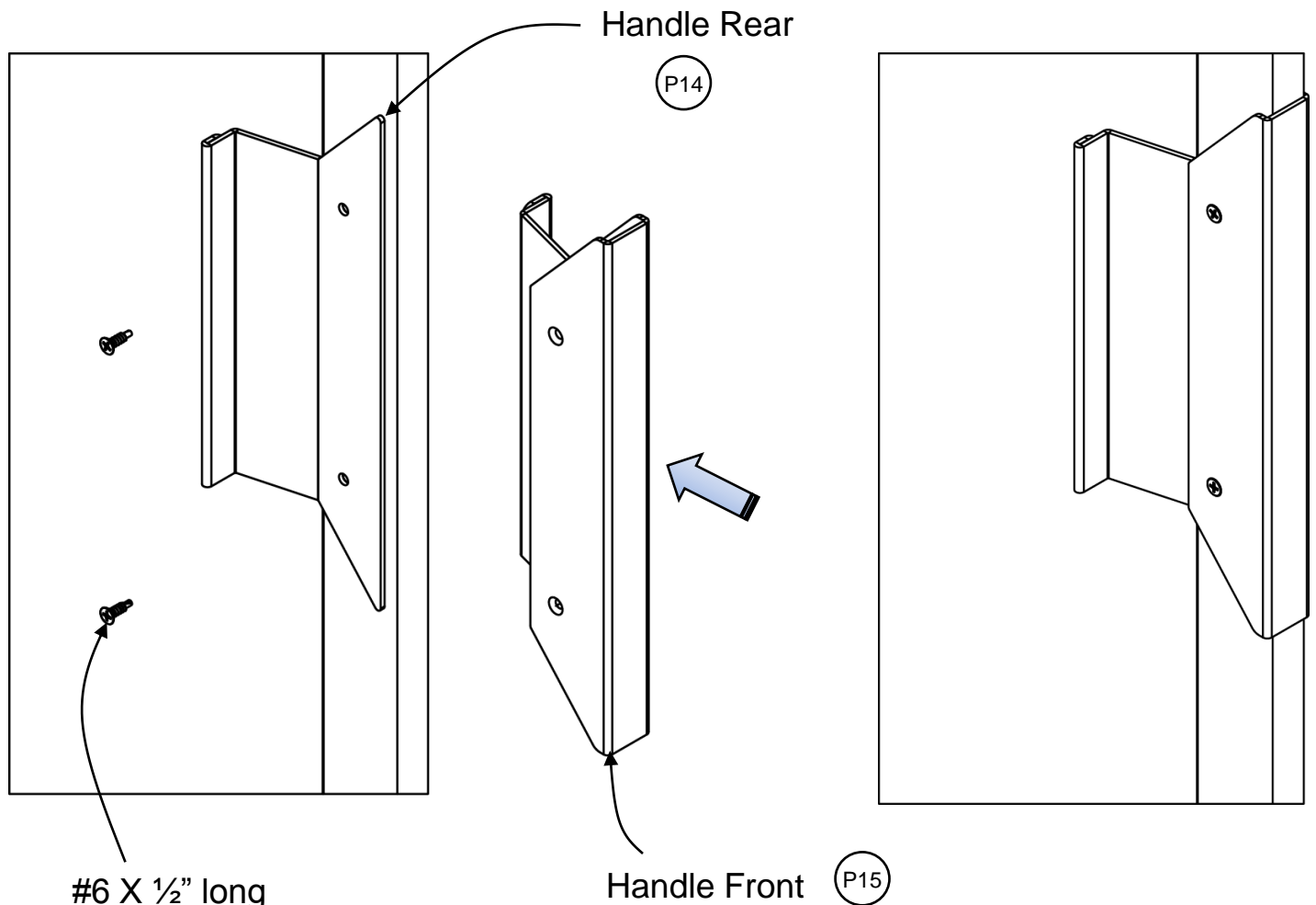
Sliding Door – MWall



Sliding Door – MWall



Sliding Door – MWall



Sliding Door – MWall

