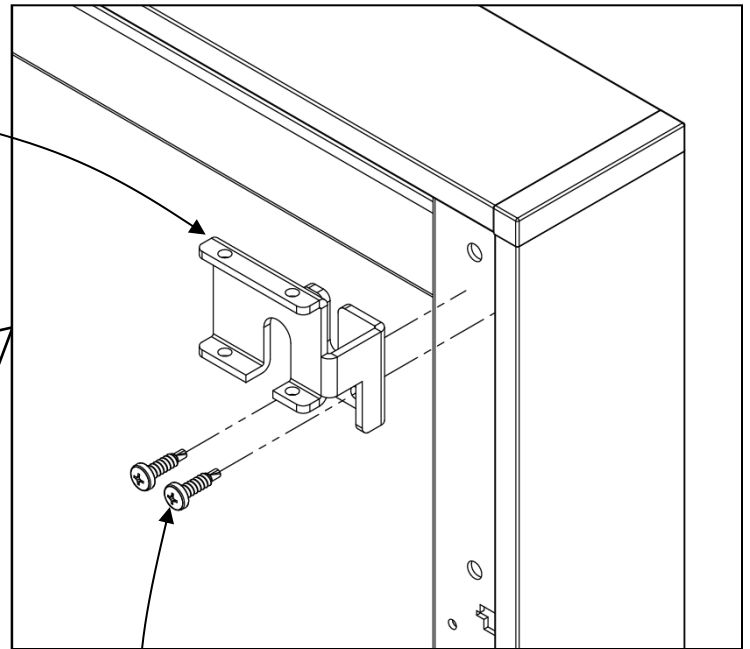


Date	Page No.	Description of change	Name
8/7/2018	1-4	Released	S. Powers
9/21/2018	5	Added handle and lock instruction page	S. Powers

Sliding Door – Matrix

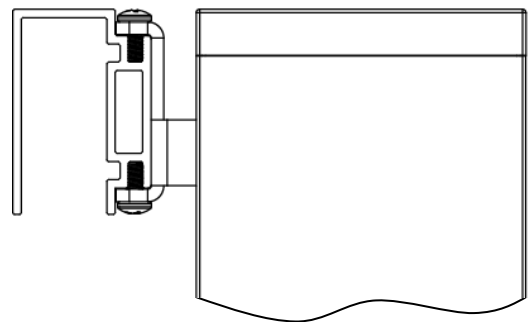
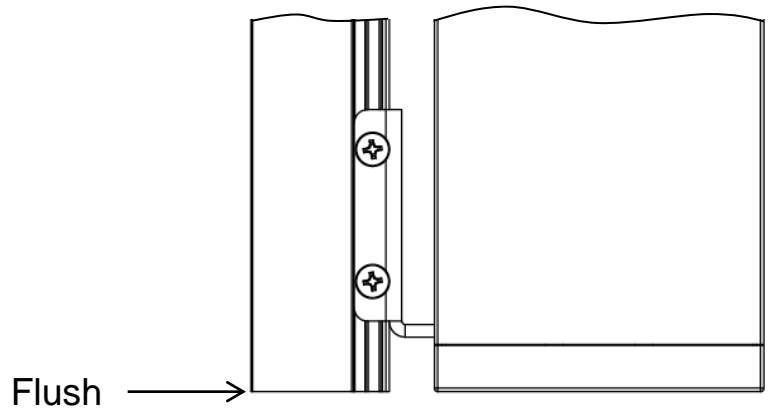
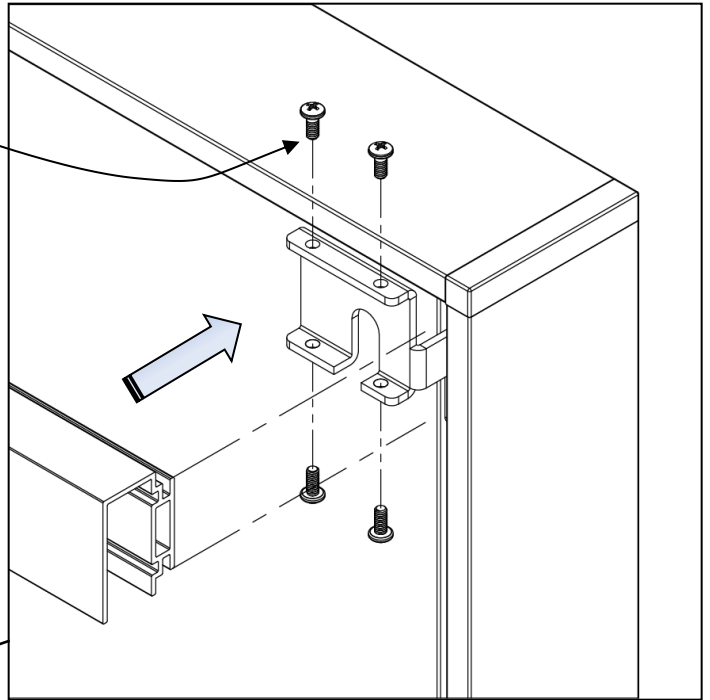
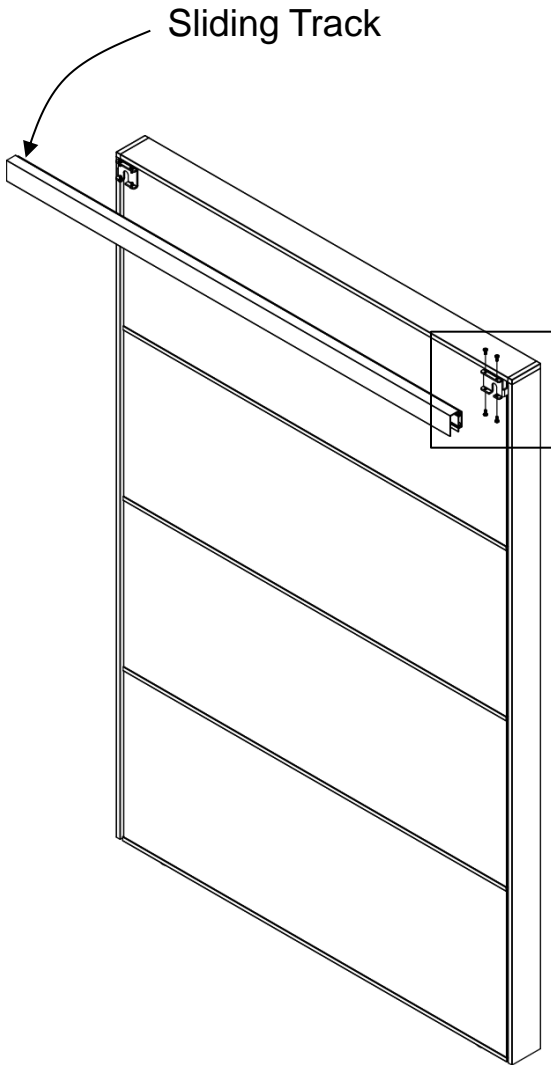
Top Bracket
2 places



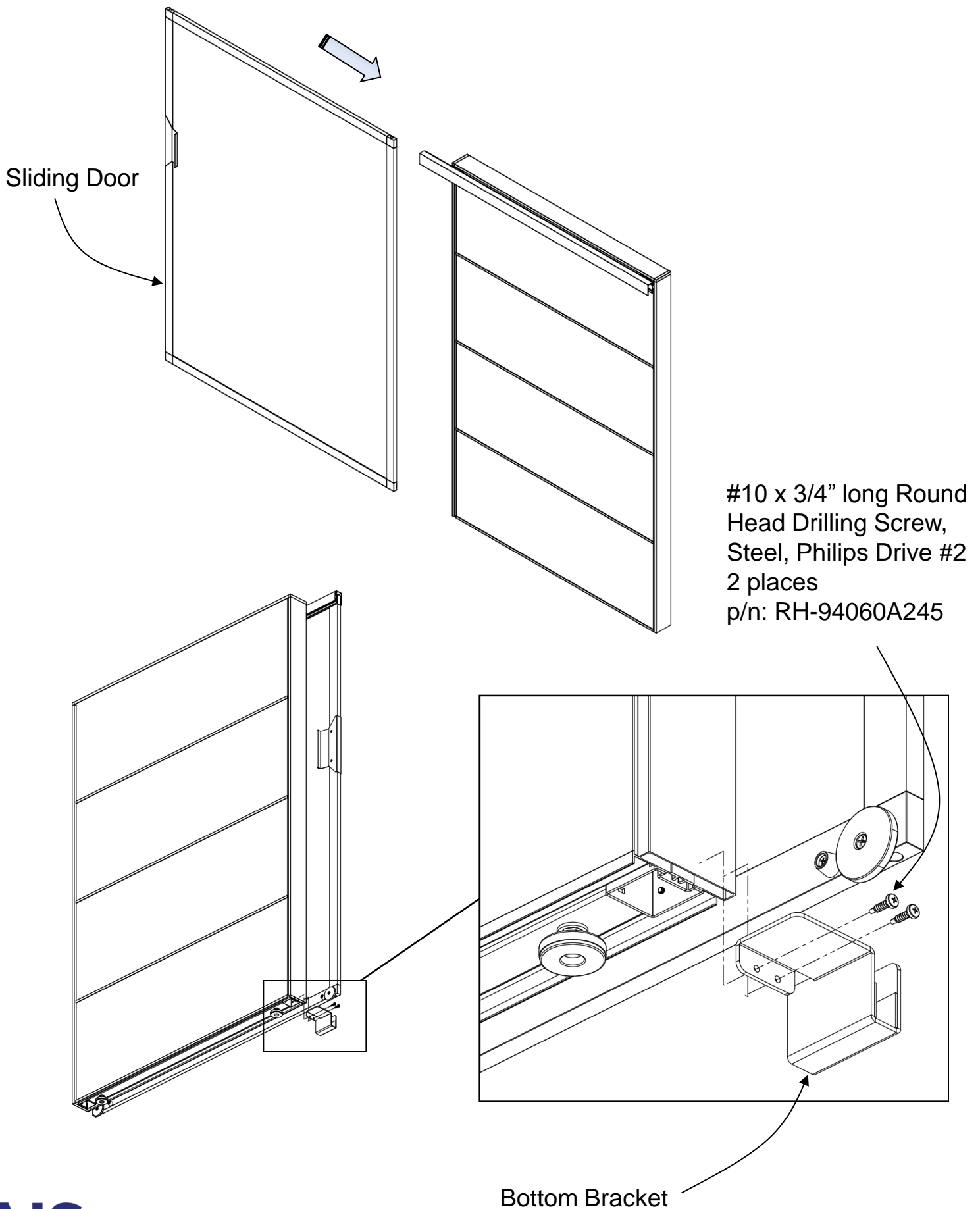
#10 x 3/4" long Round
Head Drilling Screw,
Steel, Philips Drive #2
2 places per Bracket
p/n: RH-94060A245

Sliding Door – Matrix

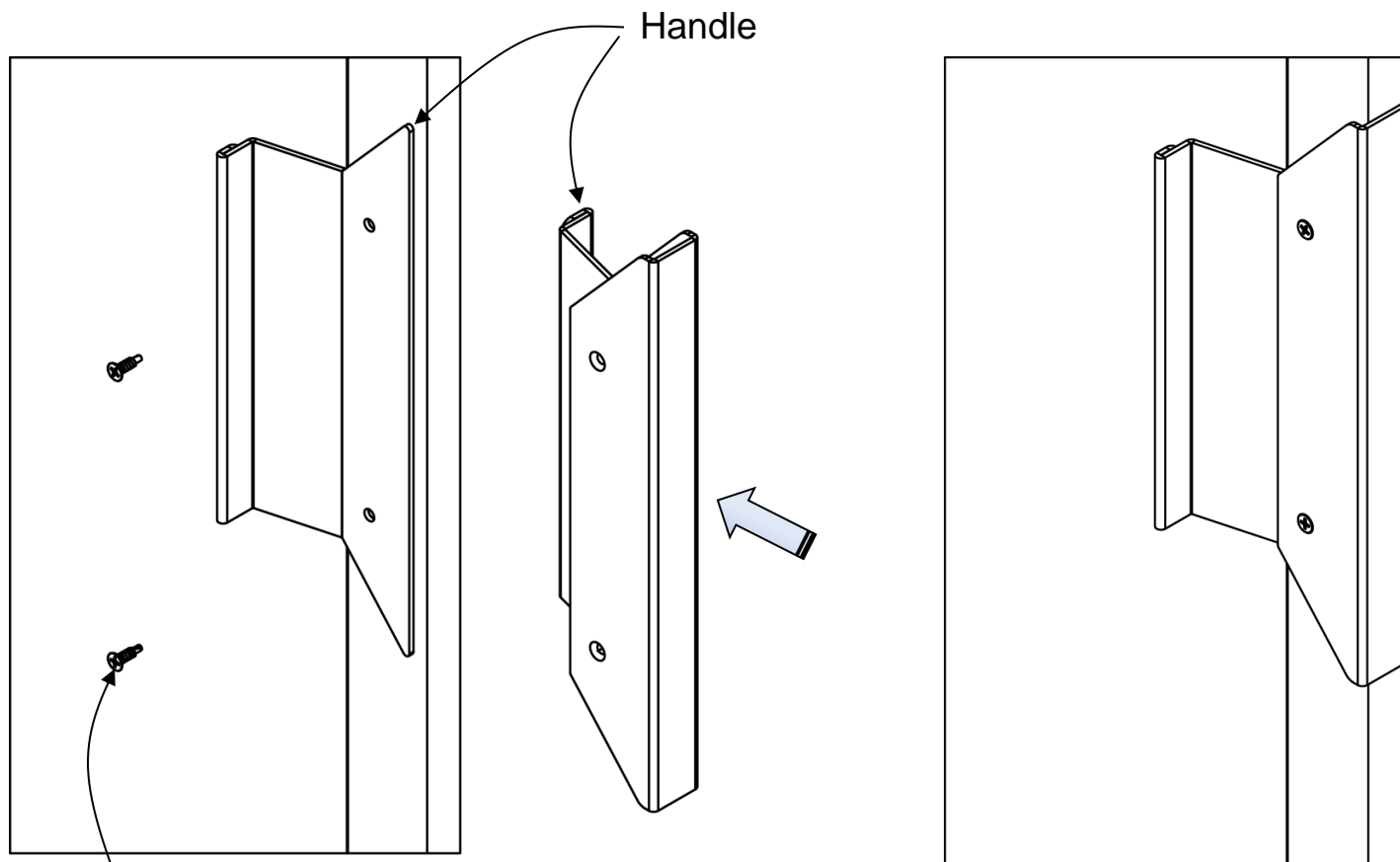
#8-32 x 3/8" long
Pan Head Screw, Steel,
Philips Drive #2
4 places per Bracket
p/n: RS-HSSE3



Sliding Door – Matrix



Sliding Door – Matrix



#6 X 1/2" long
Flat Head Drilling
Screw
RH-TSSF612
2 places

