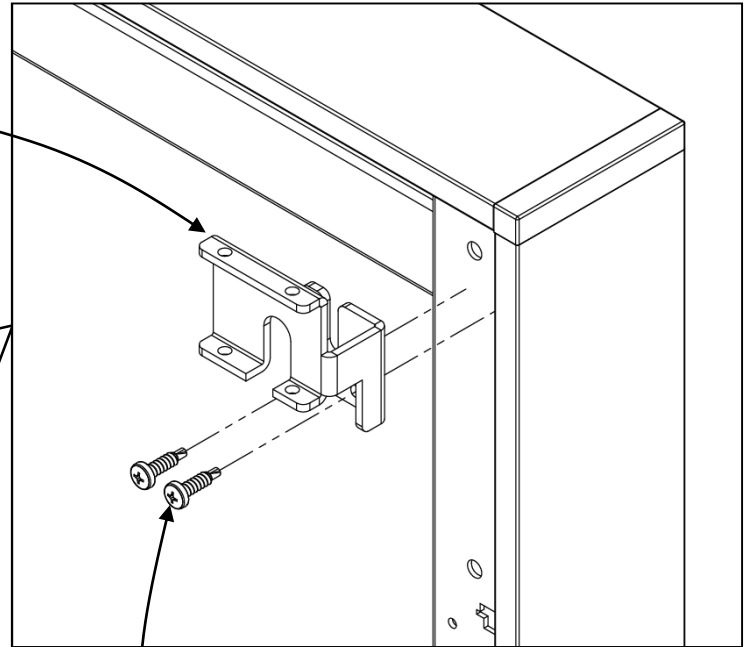
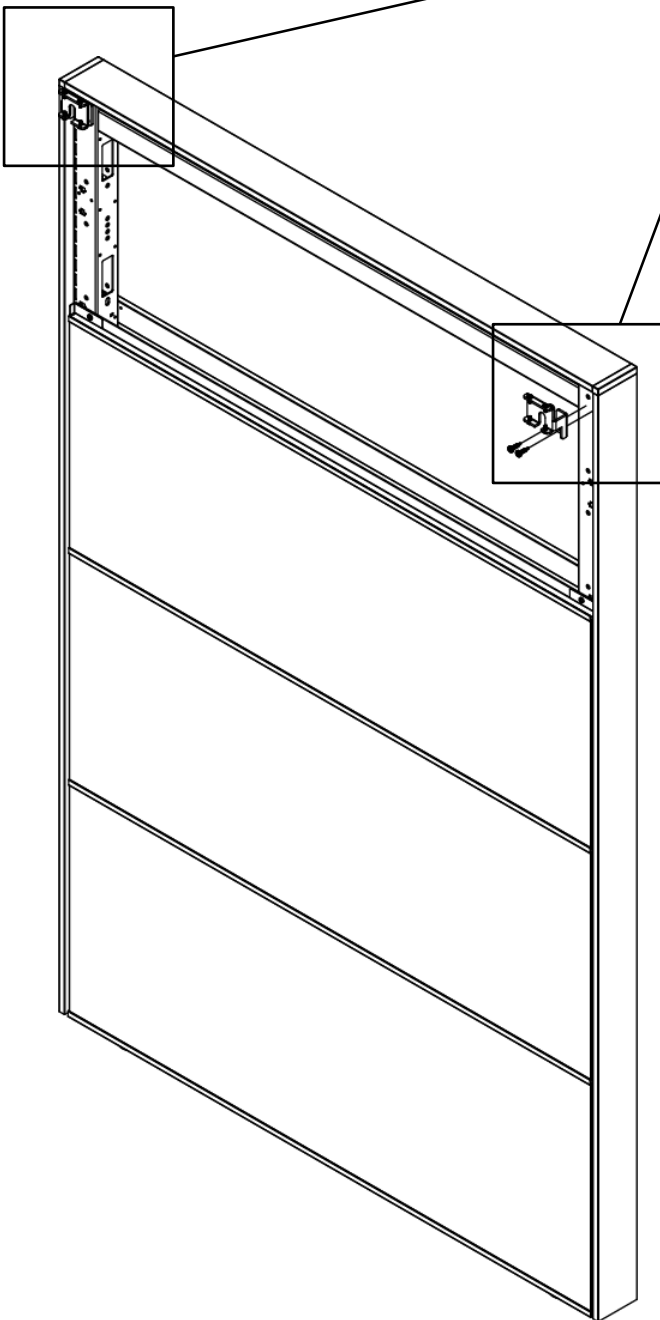


Date	Page No.	Description of change	Name
8/7/2018	1-4	Released	S. Powers
9/21/2018	5	Added handle and lock instruction page	S. Powers
11/14/18	6	Lock panel bracket added	S. Powers
3/19/19	4	Added wall bracket instructions	S. Powers

Sliding Door – Matrix

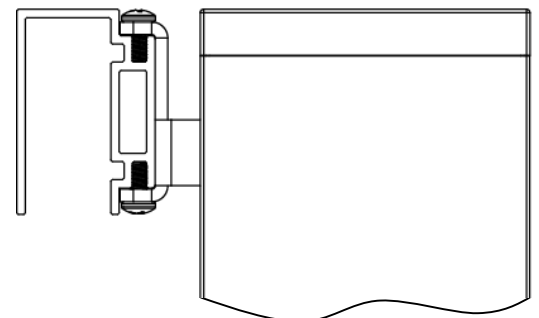
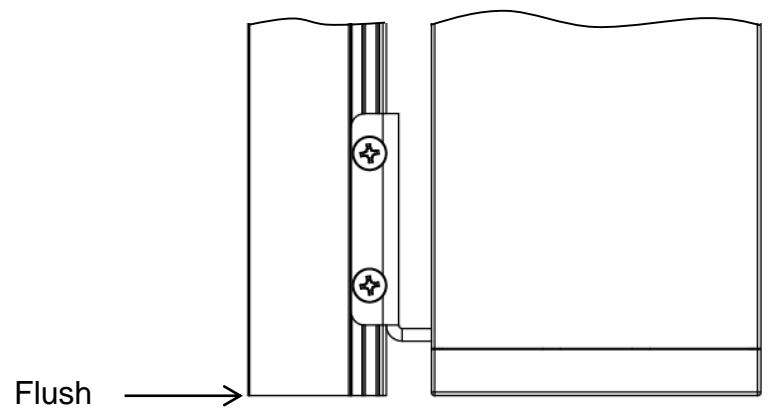
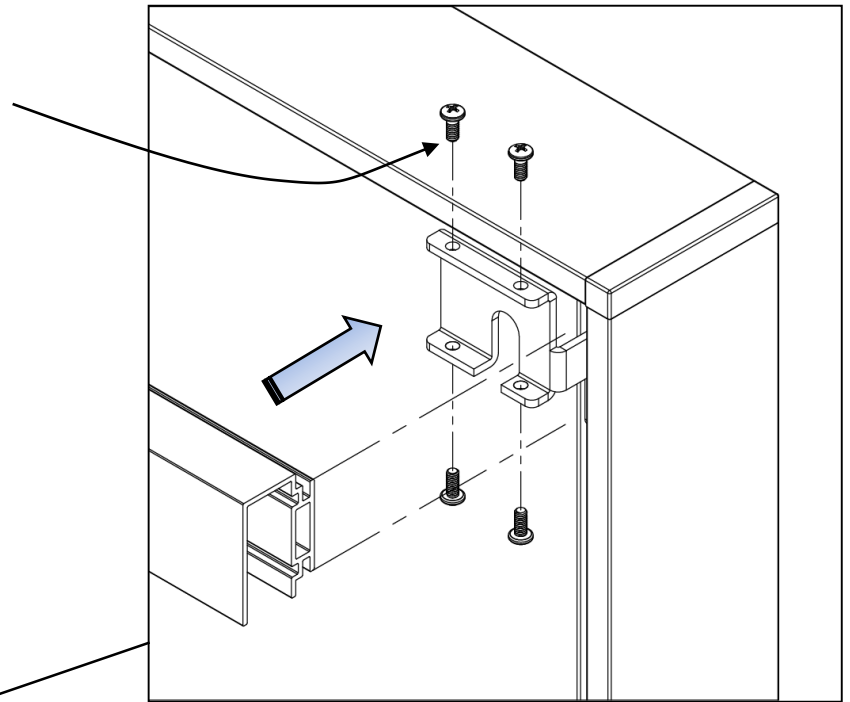
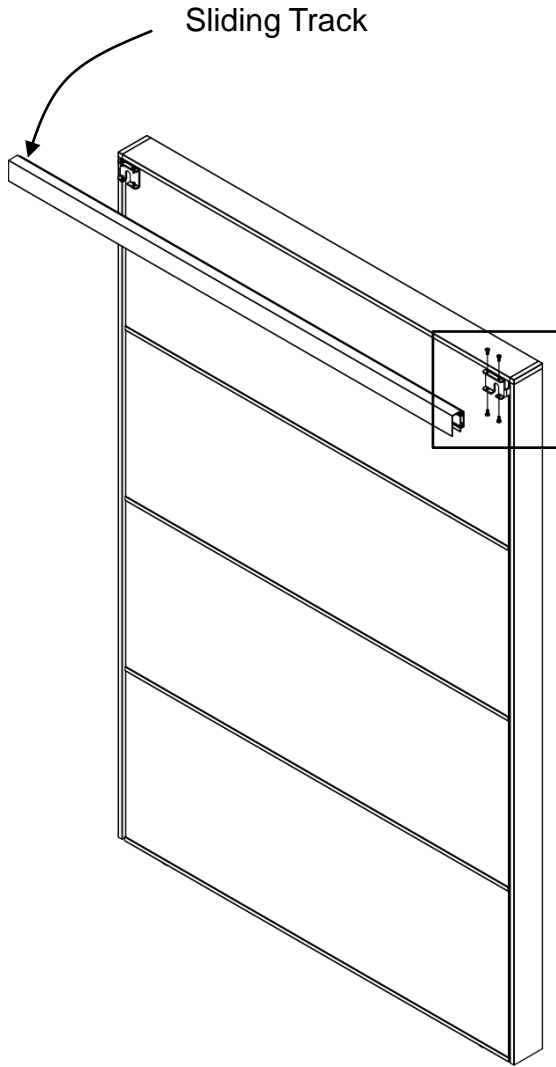
Top Bracket
2 places



#10 x 3/4" long Round Head
Drilling Screw, Steel,
Philips Drive #2
2 places per Bracket
p/n: RH-94060A245

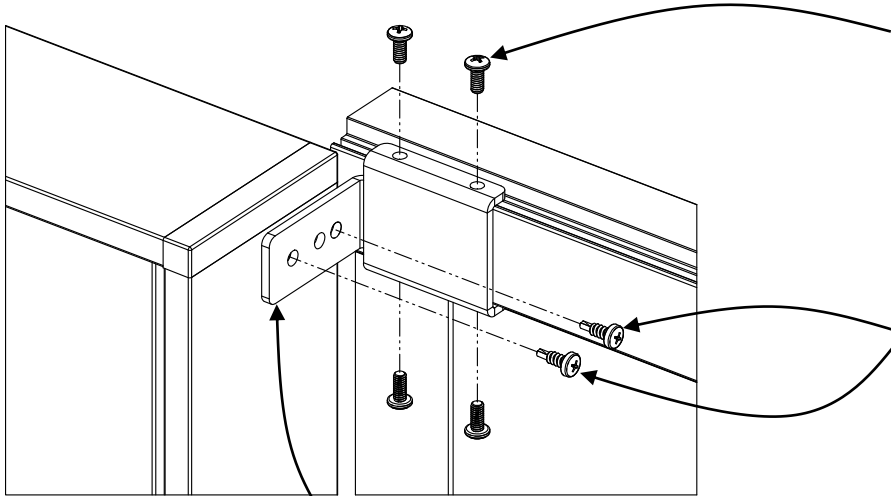
Sliding Door – Matrix

#8-32 x 3/8" long
Pan Head Screw, Steel,
Philips Drive #2
4 places per Bracket
p/n: RS-HSSE3



Sliding Door – Matrix

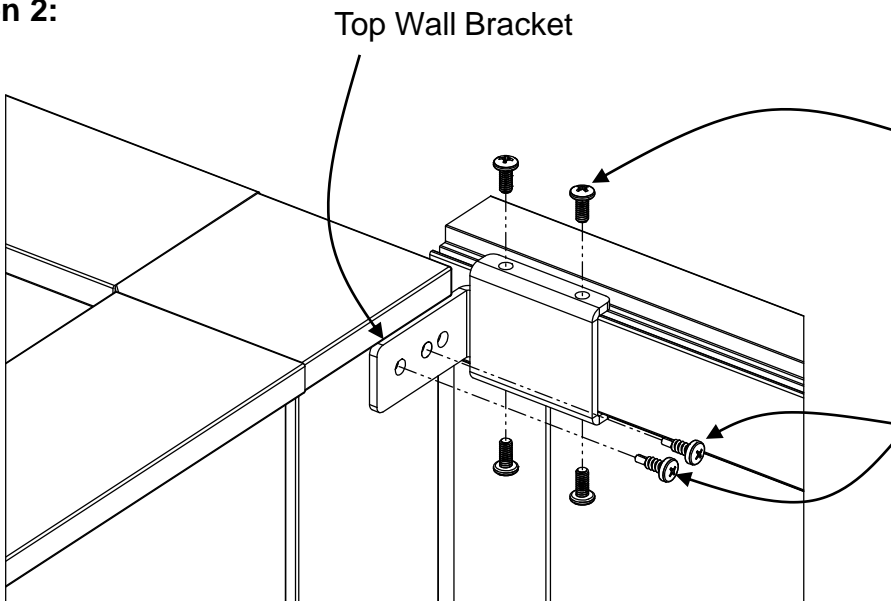
Option 1:



#8-32 x 3/8" long
Pan Head Screw, Steel,
Philips Drive #2
4 places per Bracket
p/n: RS-HSSE3

#8 x 1/2" long
Pan Head Screw, Steel,
Philips Drive #2
2 places **locate as shown**
p/n: RH-TSP812

Option 2:

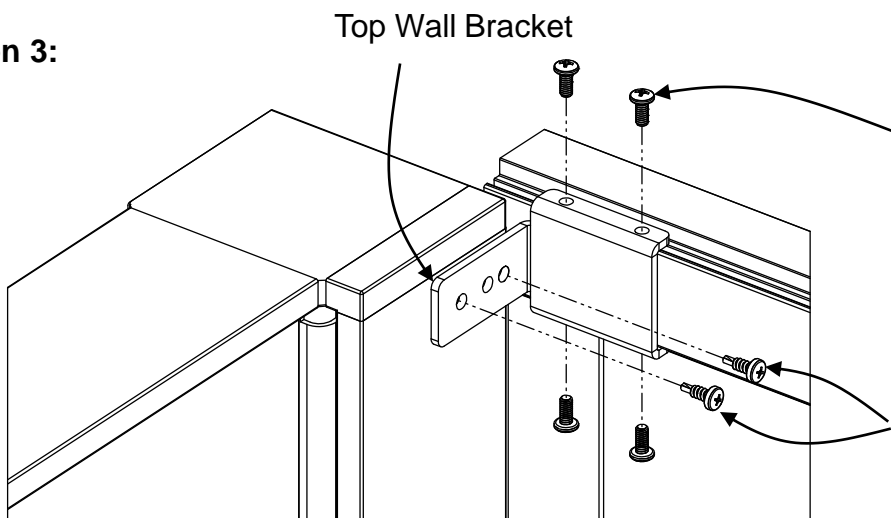


Top Wall Bracket

#8-32 x 3/8" long
Pan Head Screw, Steel,
Philips Drive #2
4 places per Bracket
p/n: RS-HSSE3

#8 x 1/2" long
Pan Head Screw, Steel,
Philips Drive #2
2 places **locate as shown**
p/n: RH-TSP812

Option 3:

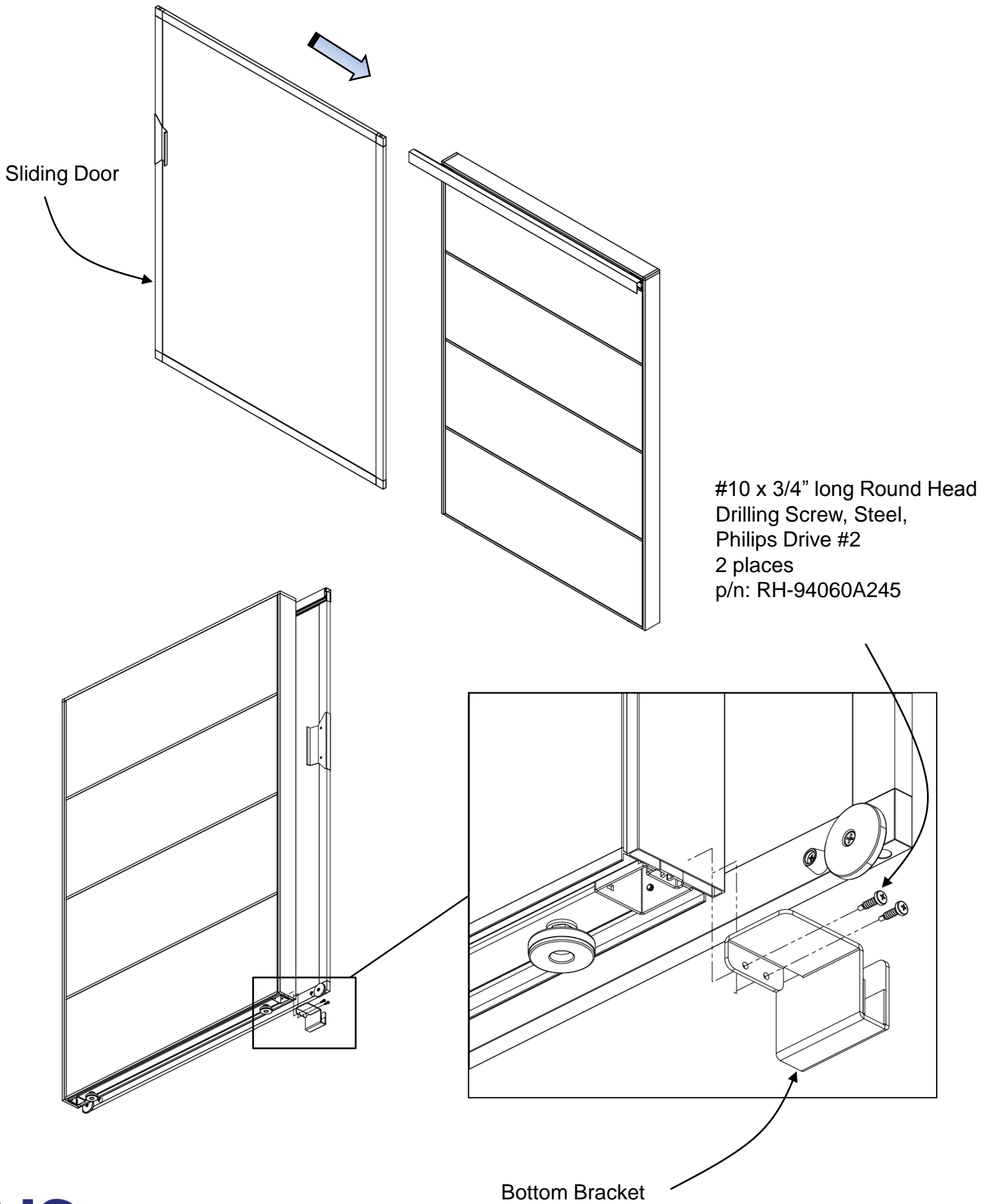


Top Wall Bracket

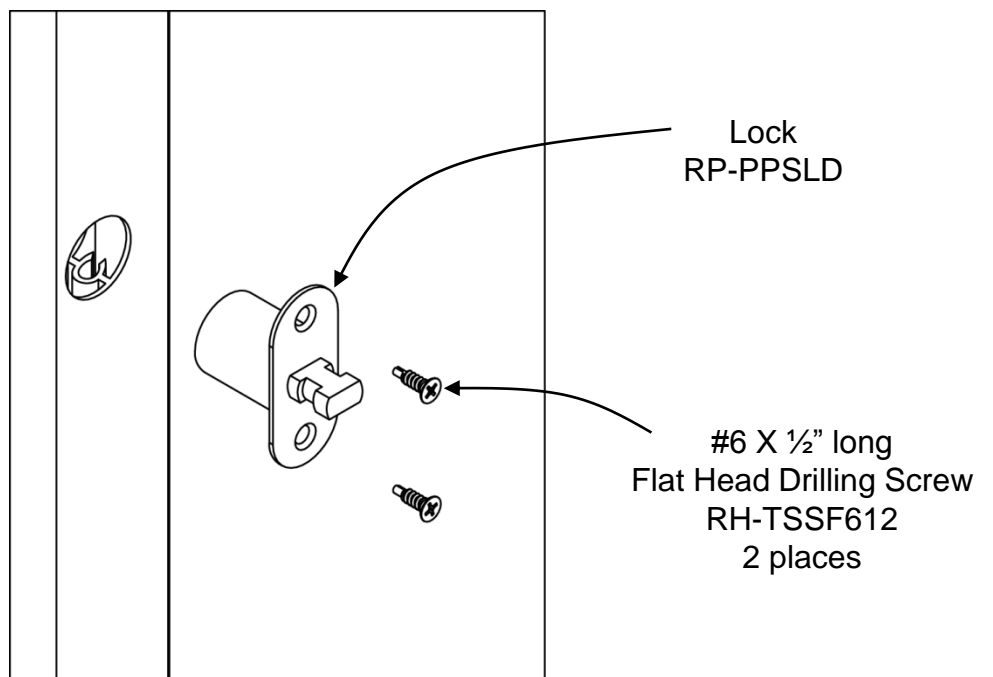
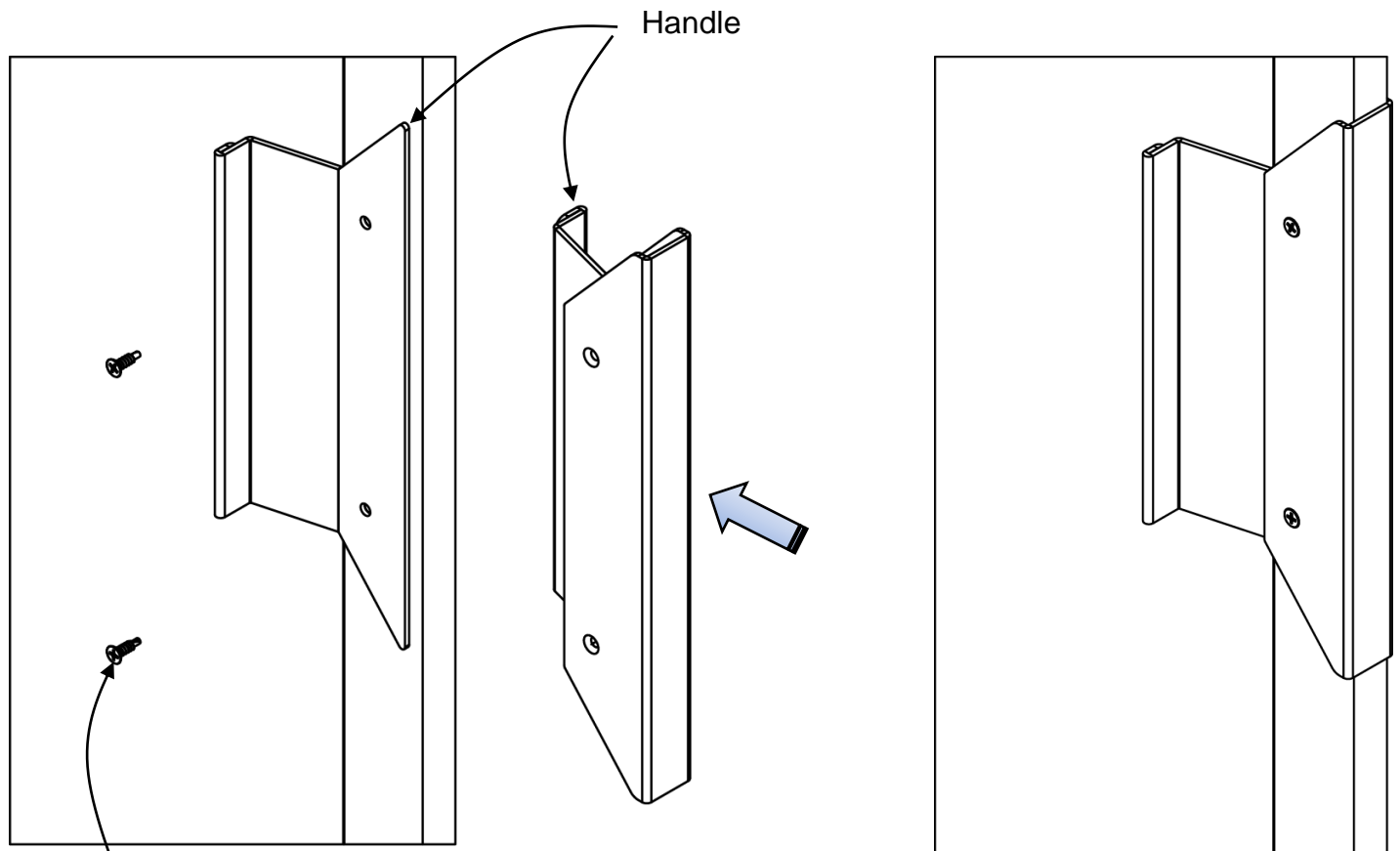
#8-32 x 3/8" long
Pan Head Screw, Steel,
Philips Drive #2
4 places per Bracket
p/n: RS-HSSE3

#8 x 1/2" long
Pan Head Screw, Steel,
Philips Drive #2
2 places **locate as shown**
p/n: RH-TSP812

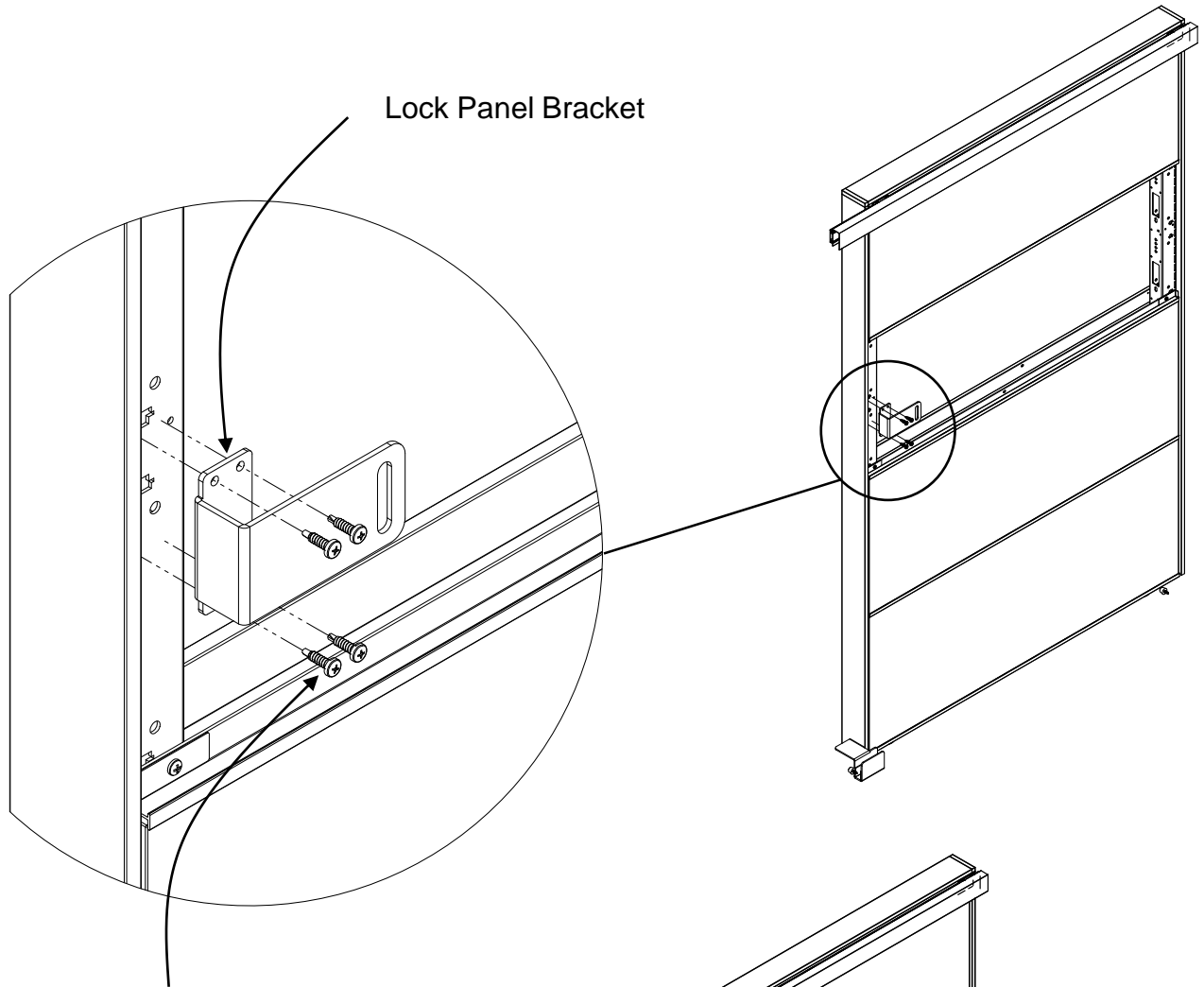
Sliding Door – Matrix



Sliding Door – Matrix



Sliding Door – Matrix



#10 x 3/4" Round Head
Drilling Screw
Philips Drive #2
4 places

