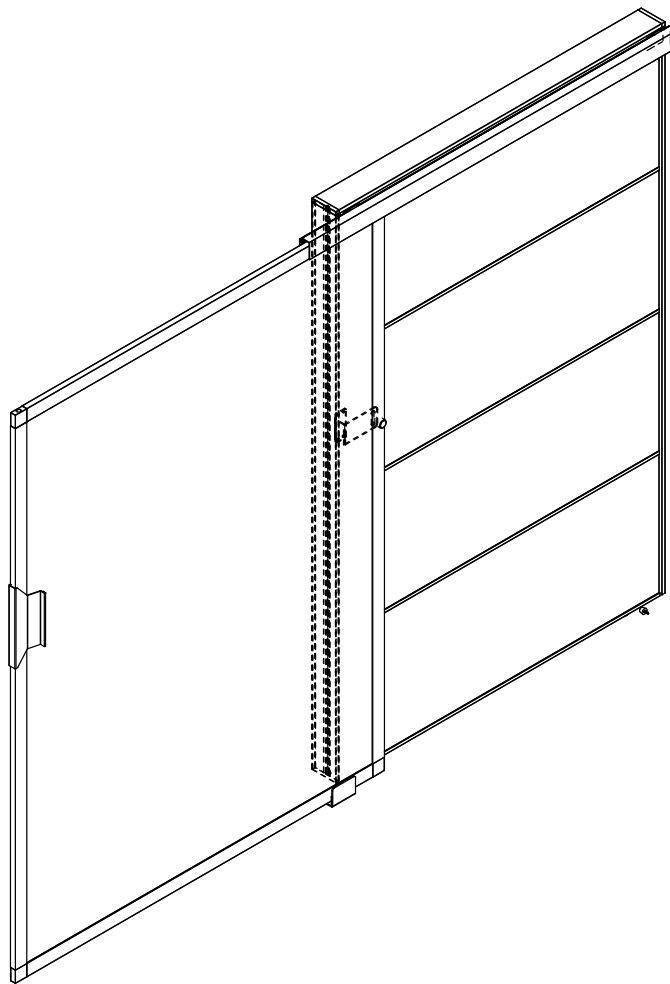
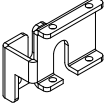
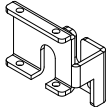



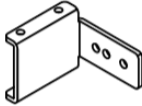

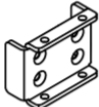




Sliding Privacy Screen – Matrix







Date	Page No.	Description of change	Name
8/7/2018	1-4	Released	S. Powers
9/21/2018	5	Added handle and lock instruction page	S. Powers
11/14/18	6	Lock panel bracket added	S. Powers
3/19/19	4	Added wall bracket instructions	S. Powers
6/15/2023	2-3, 7	Added parts list and arch door bracket	S. Powers



Sliding Privacy Screen – Matrix

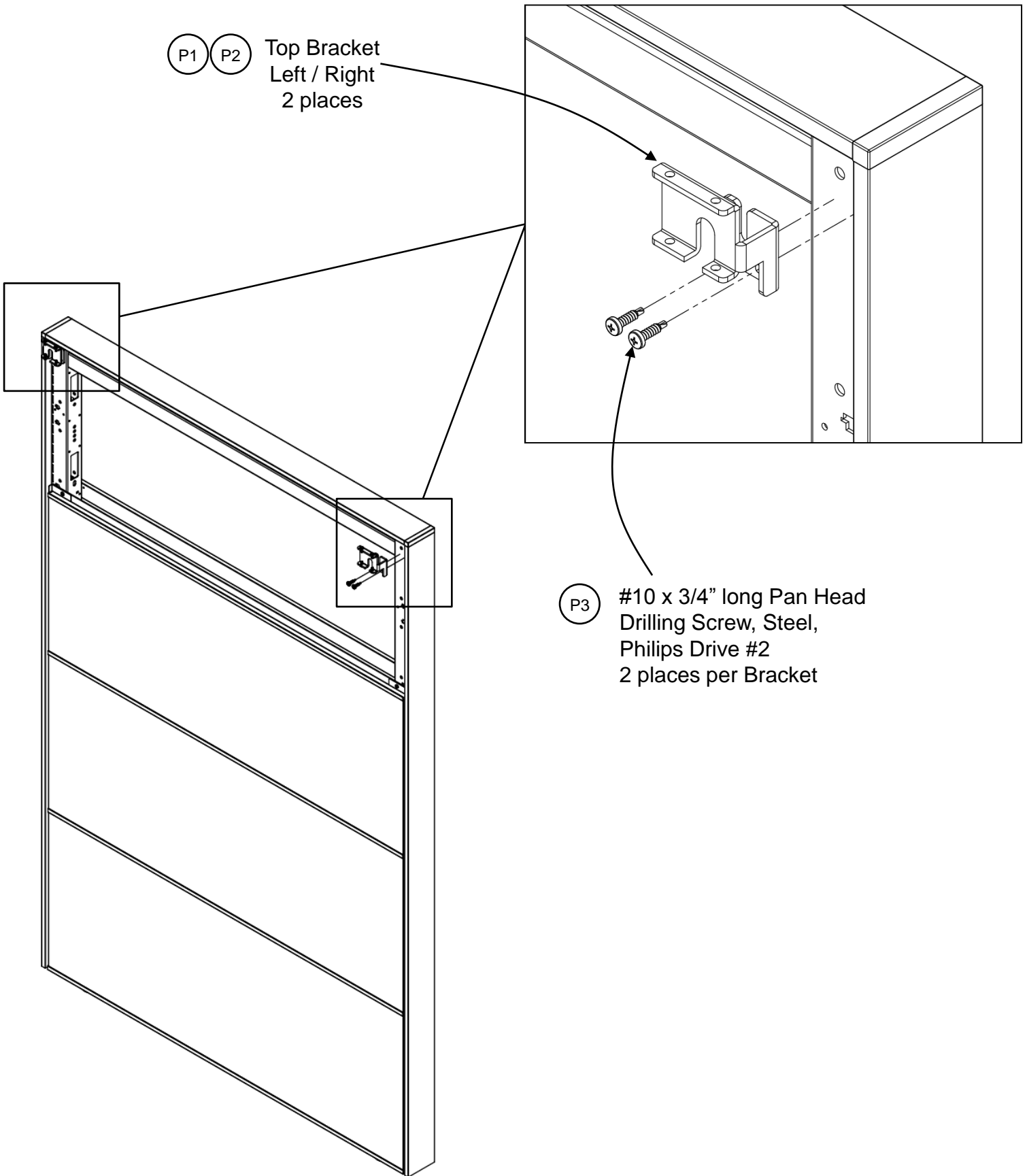
Item	Replacement Part number	Circle Sheet Part Number	Description	Image
P1	A-MTXTBSLDL	RA-MTXTBSLDL	Top Bracket Left	
P2	A-MTXTBSLDR	RA-MTXTBSLDR	Top Bracket Right	
P3	RH-94060A245	RH-94060A245	#10 x 3/4" Pan Head Drilling Screw	
P4	A-RPSTTBMX** ** = Nonminal Width	RA-RPSTTBMX** ** = Nonminal Width	Sliding Track	
	A-RPSTTBMX**X ** = Nonminal Width	RA-RPSTTBMX**X ** = Nonminal Width	Sliding Track Extended	
P5	RS-HSSE3	RS-HSSE3	#8-32 x 3/8" Pan Head Screw	
P6	A-RPSLWATB	RA-RPSLWATB	Top Wall Bracket	
P7	RH-TSP812	RH-TSP812	#8 x 1/2" Pan Head Screw	
P8	A-MTXSLDAMB	RA-MTXSLDAMB	Arch Door Mounting Bracket	
P9	RH-94195A180	RH-94195A180	#10 x 1 1/2" Flat Head Screw	
P10	P-DVSLDBDBL	RP-DVSLDBDBL	Bottom Bracket Left	

Sliding Privacy Screen – Matrix

Item	Replacement Part number	Circle Sheet Part Number	Description	Image
P11	P-DVSLDBDBR	RP-DVSLDBDBR	Bottom Bracket Right	
P12	P-UNSLDHK	RA-RPSLHR	Handle Rear	
P13	P-UNSLDHK	RA-RPSLHF	Handle Front	
P14	RH-TSSF612	RH-TSSF612	#6 x 1/2" Flat Head Drilling Screw	
P15	RP-PPSLD	RP-PPSLD	Lock Plunger	
P16	A-MTXLBSLD	RA-MTXLBSLD	Lock Bracket	

Sliding Privacy Screen – Matrix

Step 1: Install top brackets to each end of the adjacent matrix panel

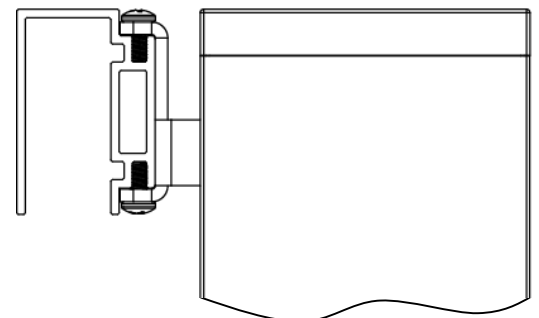
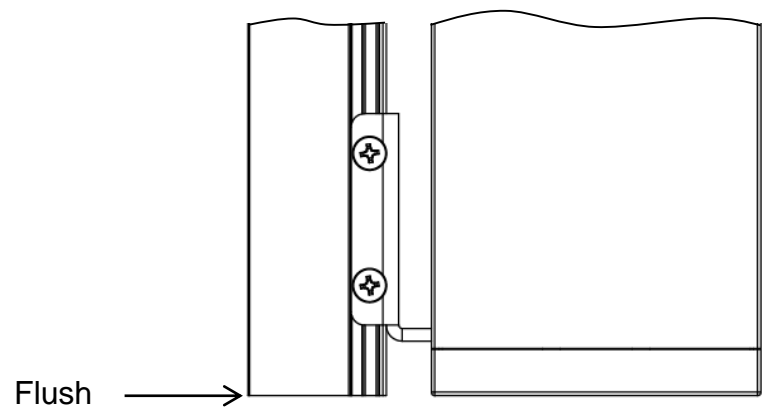
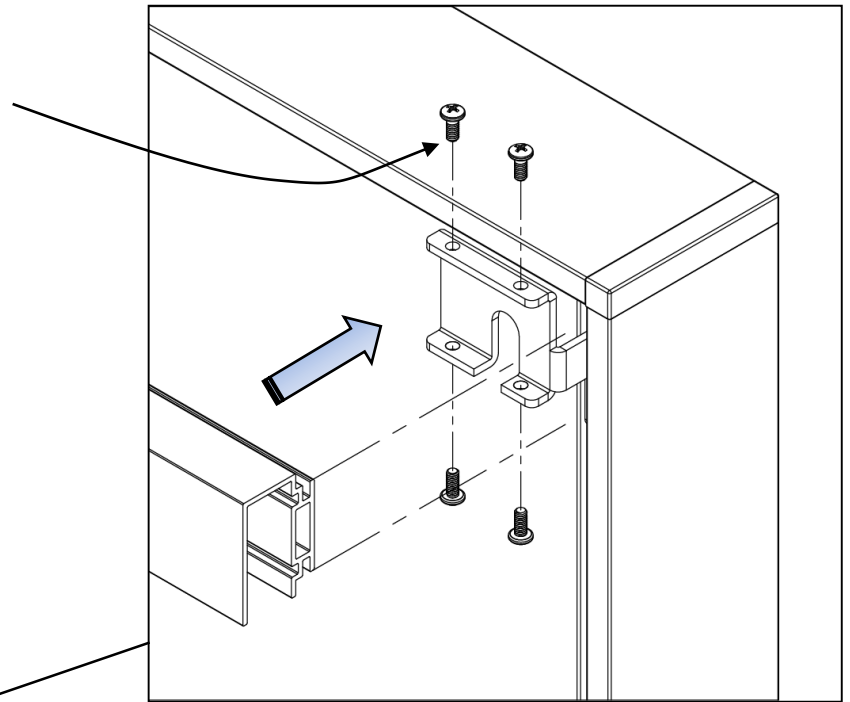
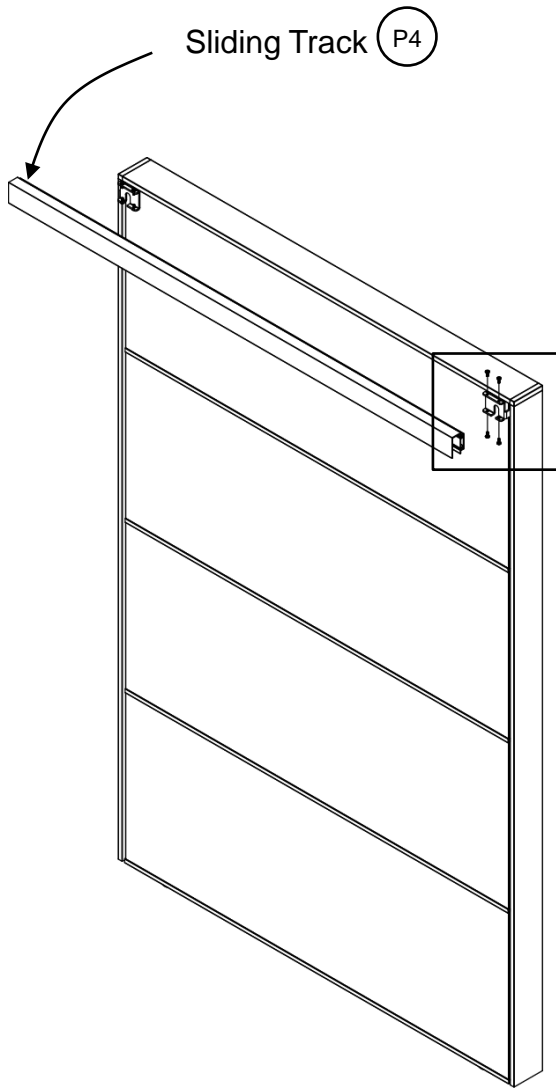


Sliding Privacy Screen – Matrix

Step 2 : Align the sliding track to the adjacent matrix frame and secure using #8-32 x 3/8" screws.

(P5) #8-32 x 3/8" long
Pan Head Screw, Steel,
Philips Drive #2
4 places per Bracket

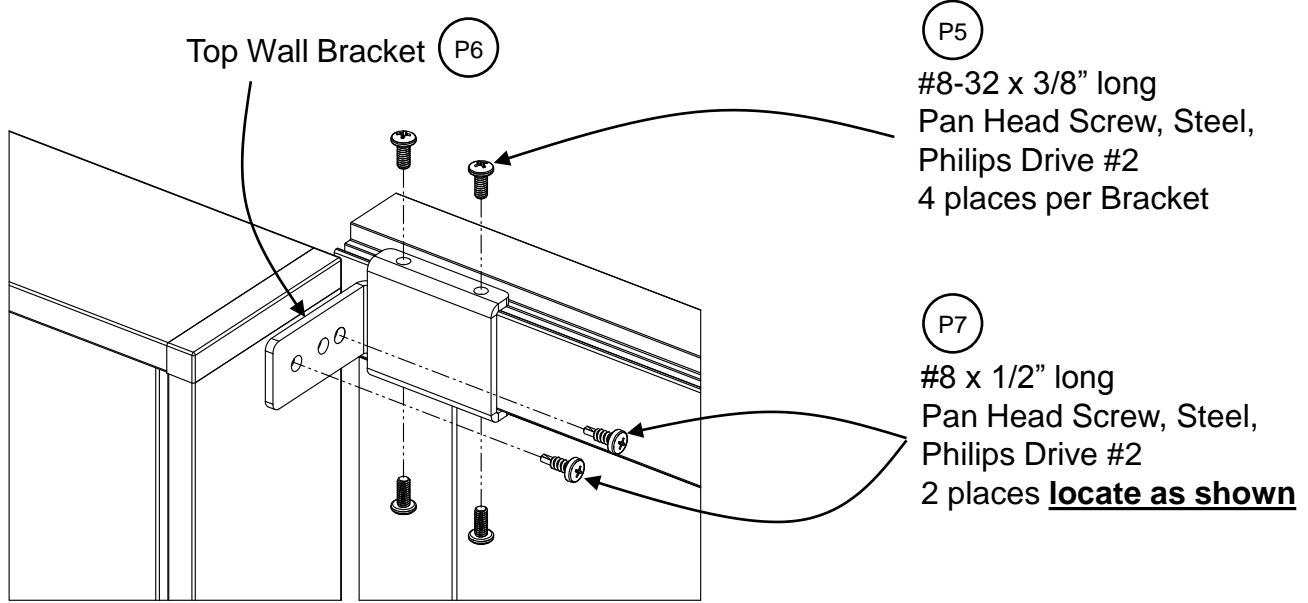
Sliding Track (P4)



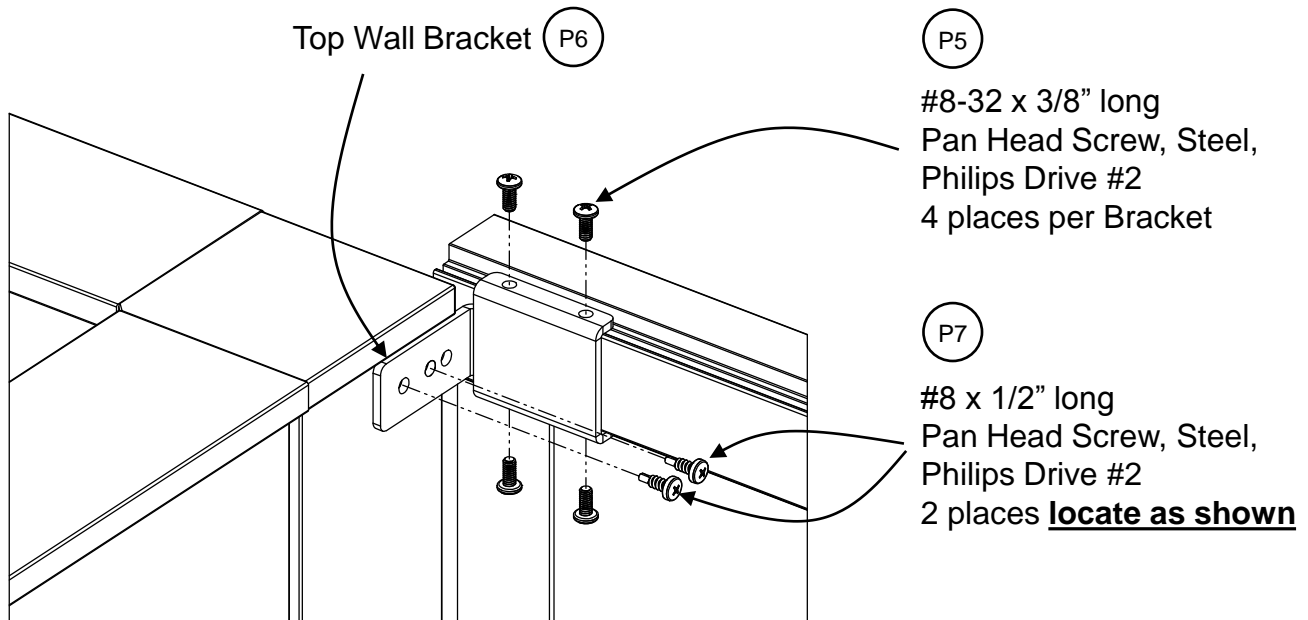
Sliding Privacy Screen – Matrix

Step 3 (for arch door only) : Install the top wall bracket per the design spec.

Option 1 (adjacent Matrix frame):



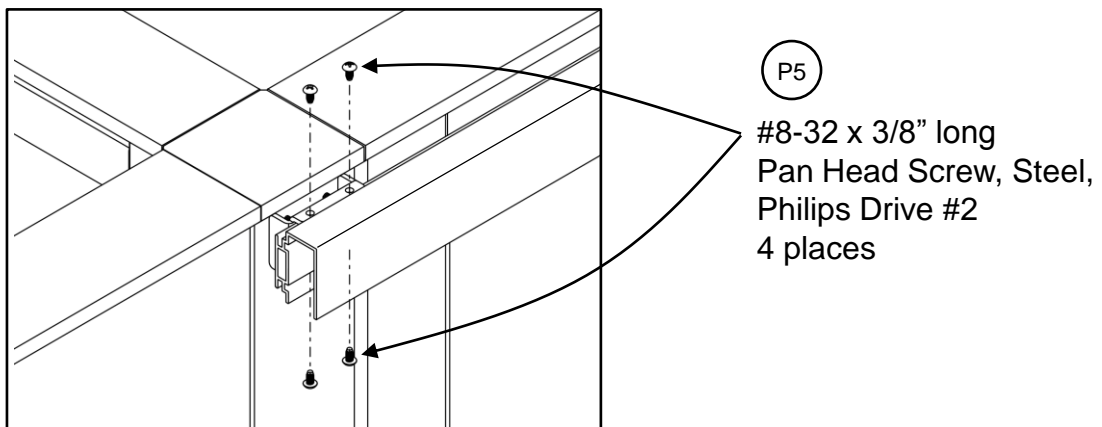
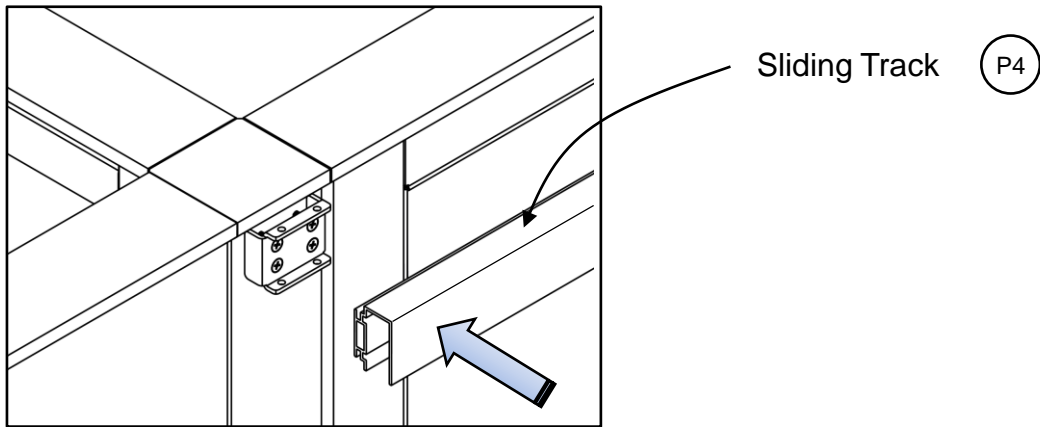
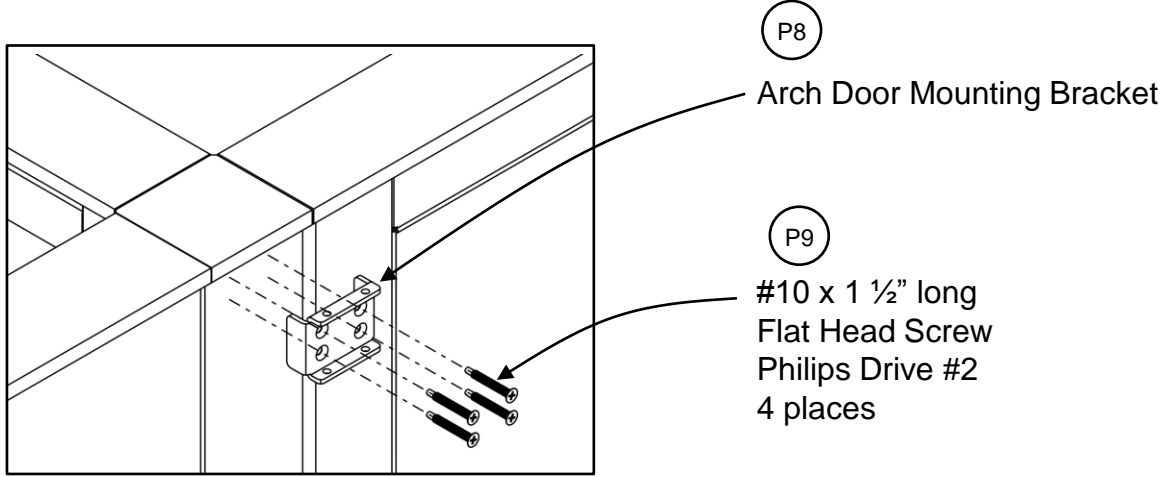
Option 2 (adjacent connector):



Sliding Privacy Screen – Matrix

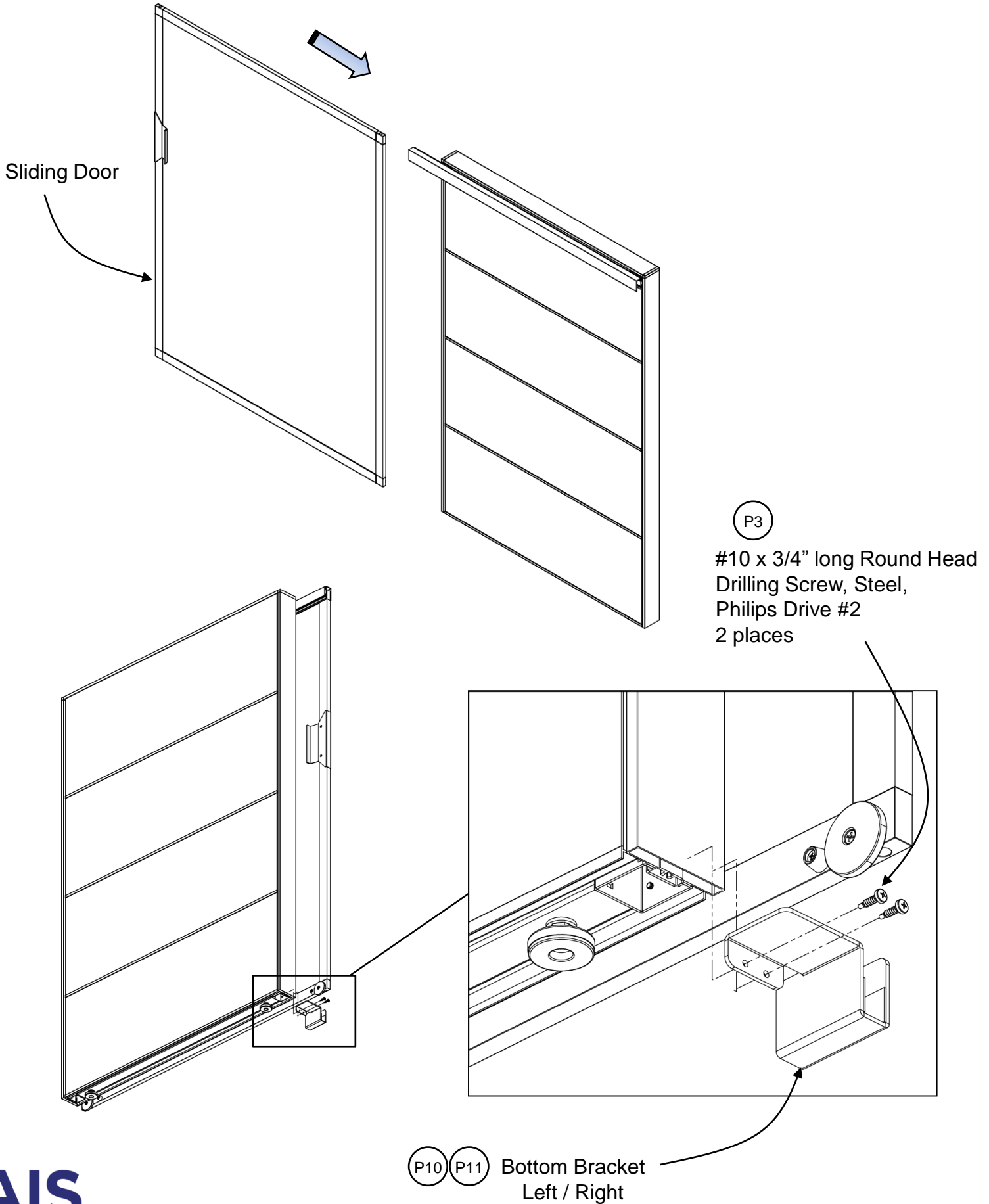
Step 3 (for arch door only) : Install the top wall bracket per the design spec.

Option 3 (adjacent door frame with connector):



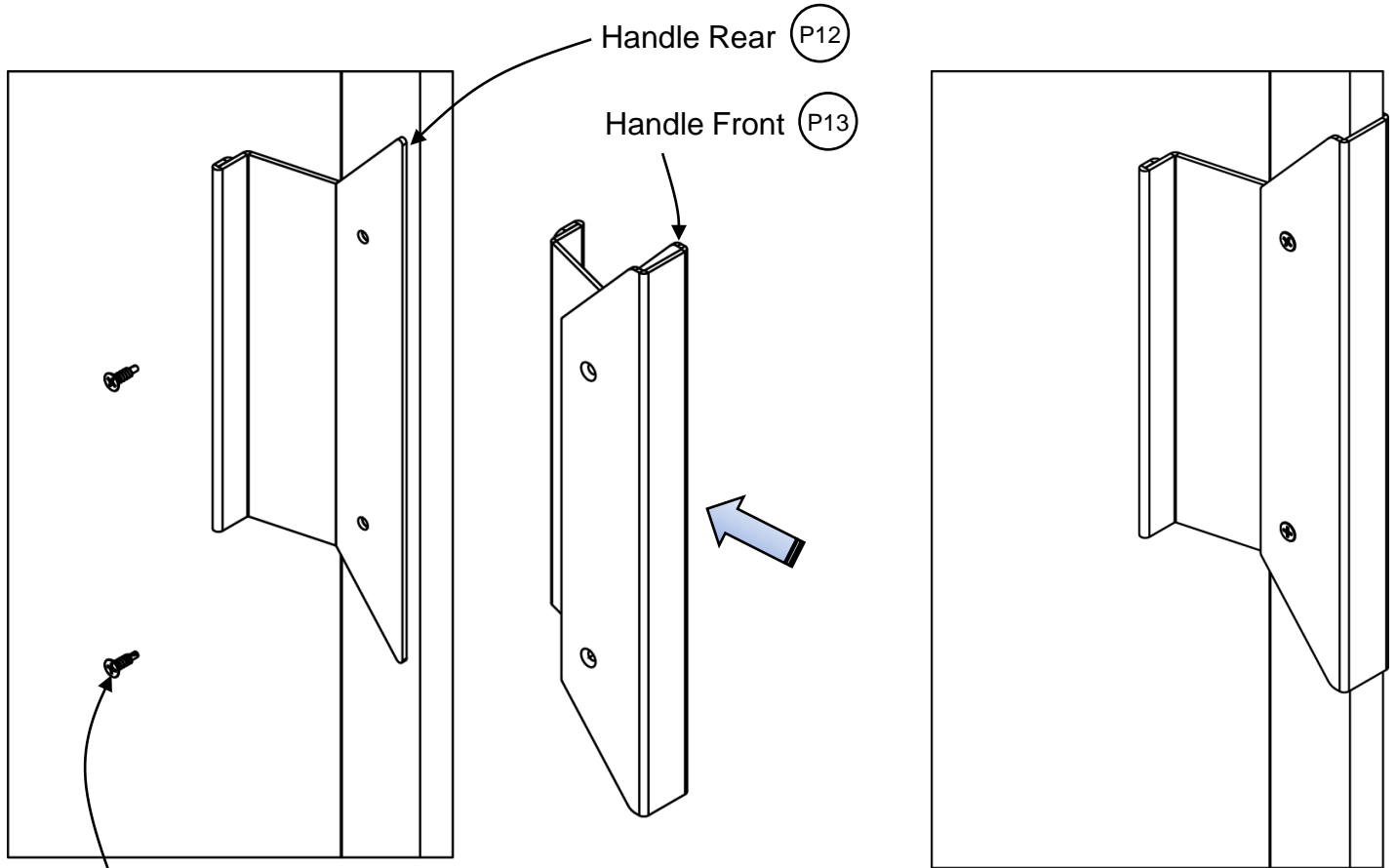
Sliding Privacy Screen – Matrix

Step 4: Align door into sliding track. Then, install bottom bracket using #10 x 3/4" screws.

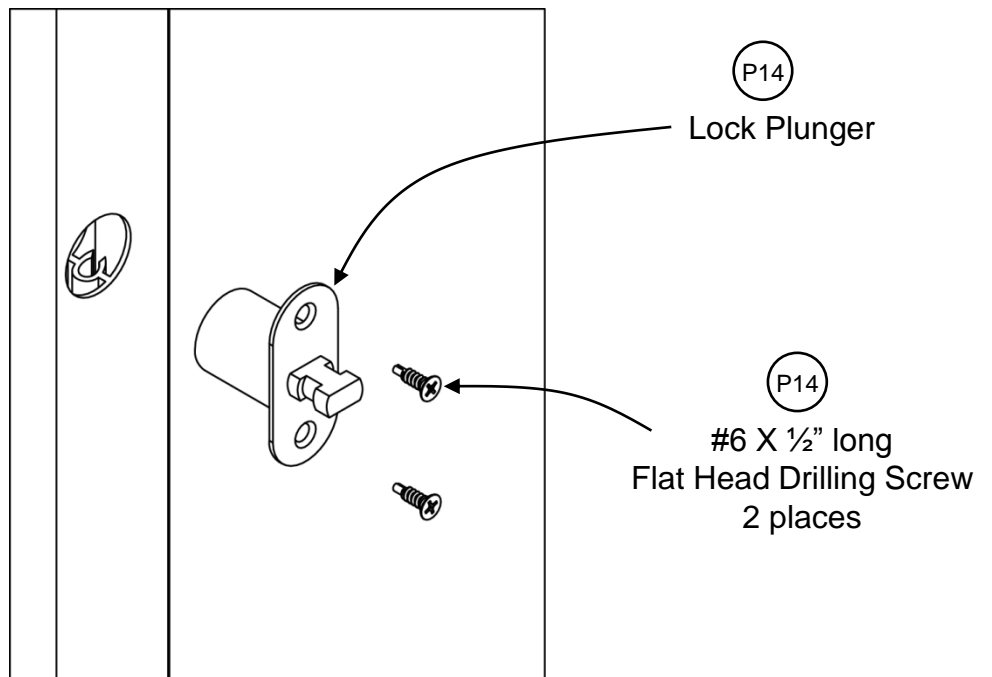


Sliding Privacy Screen – Matrix

Step 5 (optional): Install handle and lock if required.



(P14)
#6 X 1/2" long
Flat Head Drilling Screw
2 places



Sliding Privacy Screen – Matrix

