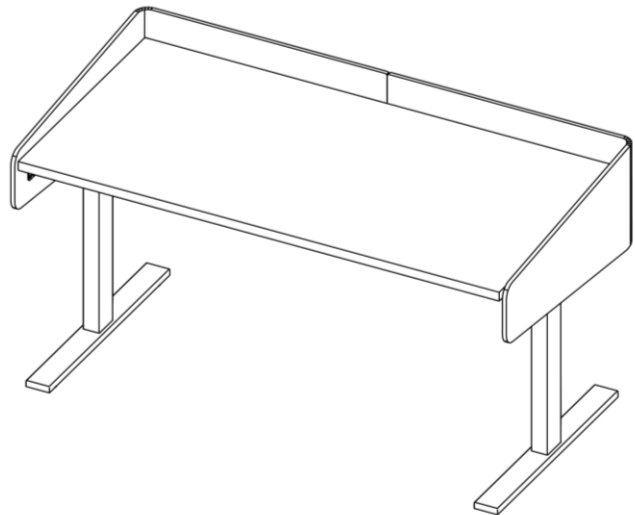
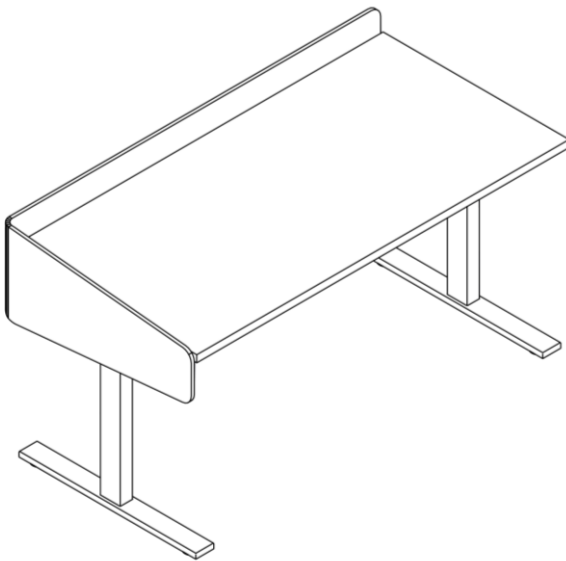

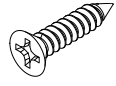
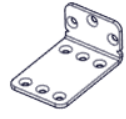



# PET Enclosures with Wire Managers Installation Instructions

Date	Page No.	Description of change	Name
1/27/2022	1-8	Released	S. Powers
3/29/2022	4	Added 16 1/2" dimension from bottom of screen to top of bracket	S. Powers

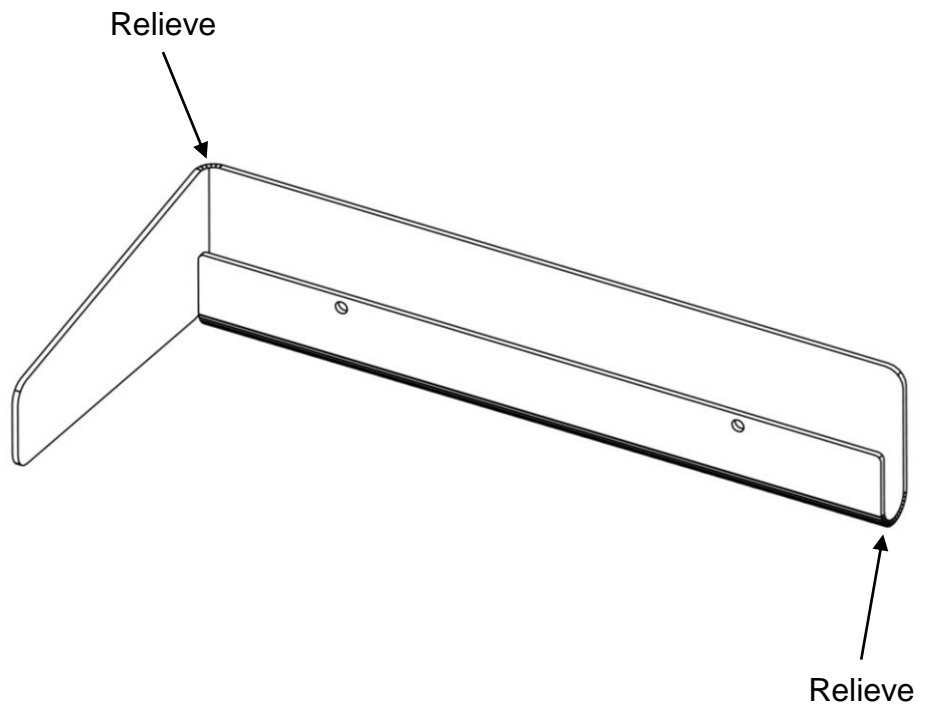
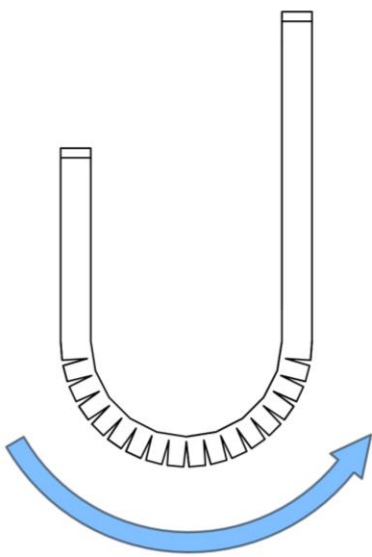
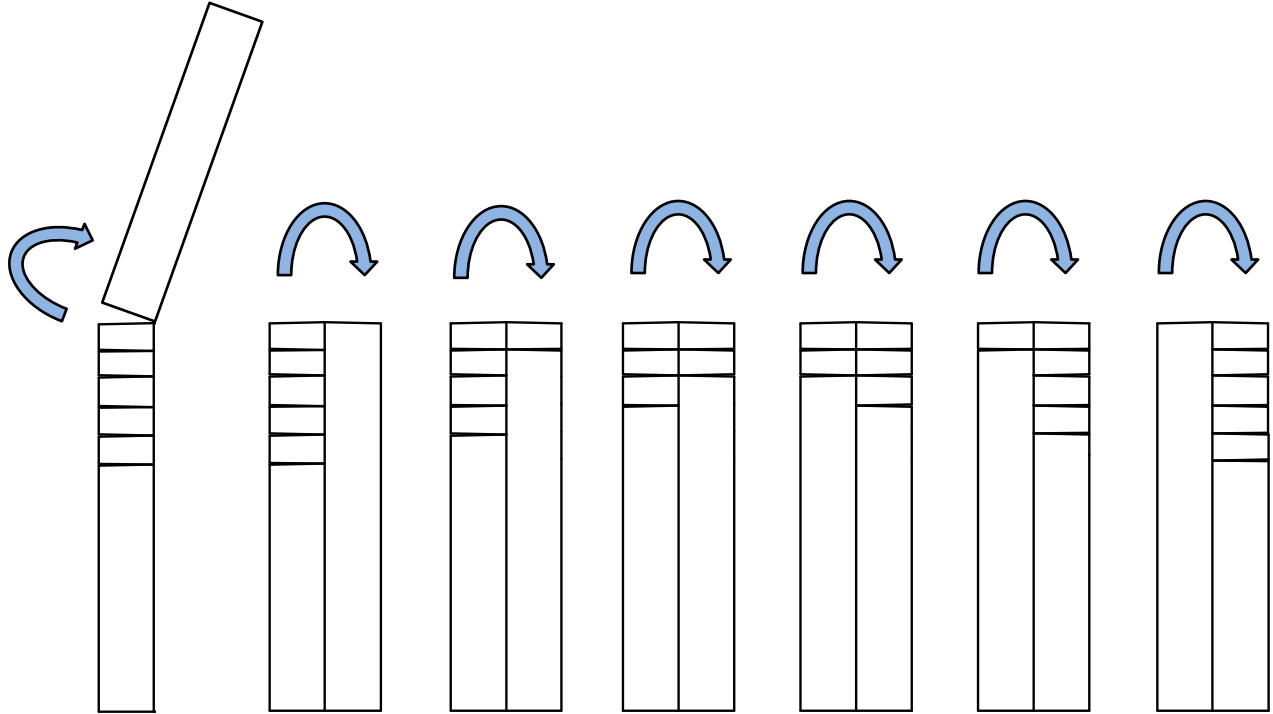


# PET Enclosures with Wire Managers Installation Instructions

Item	Replacement Part number	Circle Sheet Part Number	Description	Image
P1	A-PETHOOK	RA-PETHOOK	PET Hook	
P2	RH-QS0978	RH-QS0978	#9 X 7/8" Flat Head Screw	
P3	A-SLBPET	RA-SLBPET	L-Bracket	
P4	RH-90048A194	RH-90048A194	#8 X 1/2" Flat Head Screw	

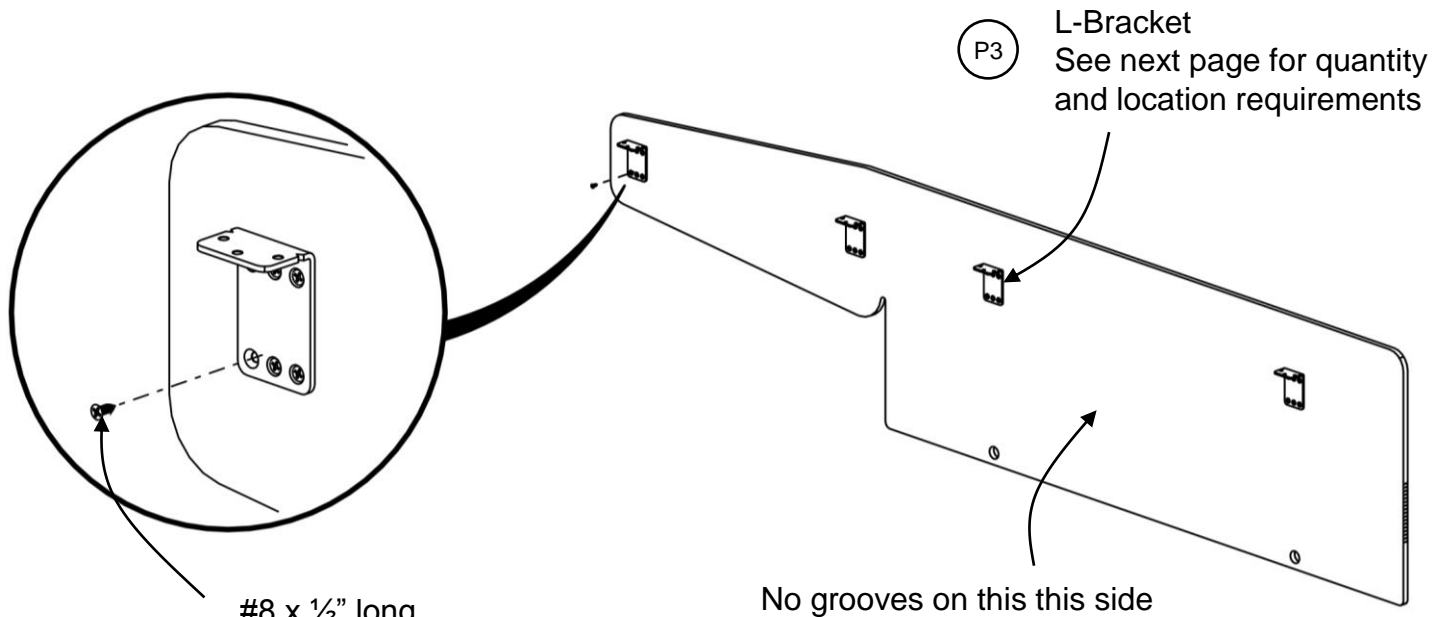
# PET Enclosures with Wire Managers Installation Instructions

**Step 1:** Prepare the PET Wire Manager for installation by opening each groove to relieve material tension and create flexibility for an aesthetic installation.



# PET Enclosures with Wire Managers Installation Instructions

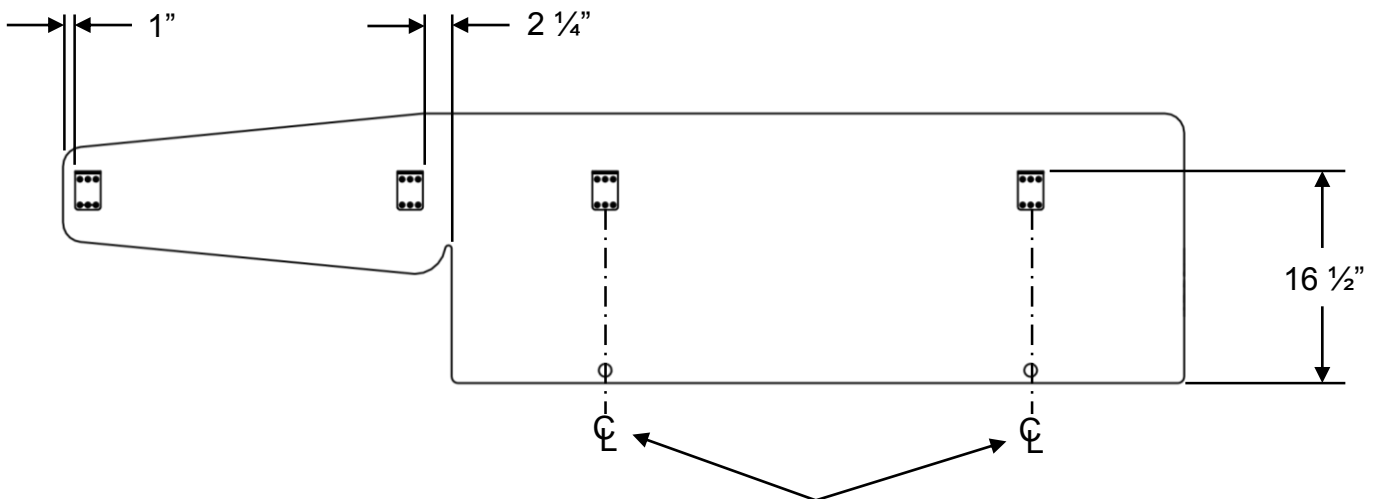
**Step 2:** Install L-Brackets to the PET screen using #8 x 1/2" long screws.



P4 #8 x 1/2" long  
Flat head screw  
#2 Philips drive  
6 places per bracket



Do not use worksurface screws they are too long and will break through material



# PET Enclosures with Wire Managers Installation Instructions

## L-Wrap Screens 12D – 18D

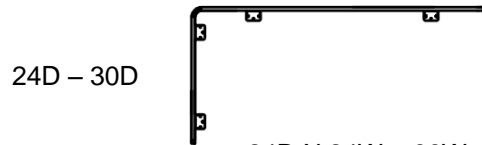


12D X 24W – 72W  
18D X 24W – 72W  
Qty = 3



12D X 78W  
Qty = 5

## L-Wrap Screens 24D – 30D



24D – 30D

24D X 24W – 66W  
30D X 24W – 60W  
Qty = 4

---

## U-Wrap Screens 1 Piece

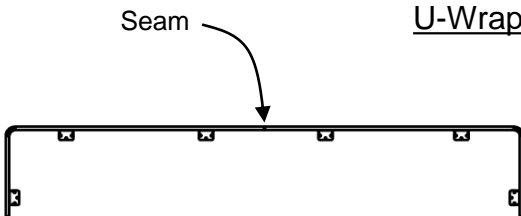


12D X 24W – 66W  
18D X 24W – 60W  
Qty = 4

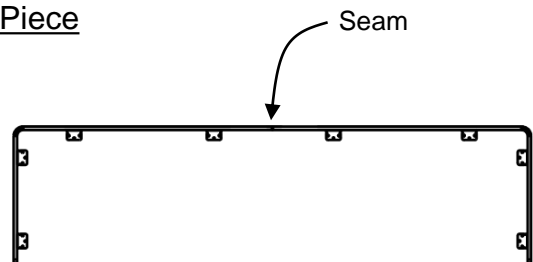


24D X 42W  
Qty = 6

## U-Wrap Screens 2 Piece



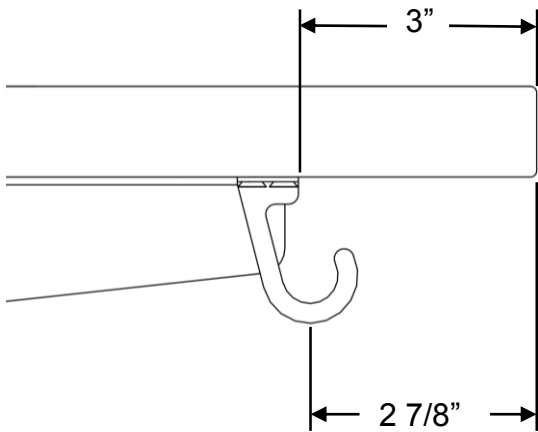
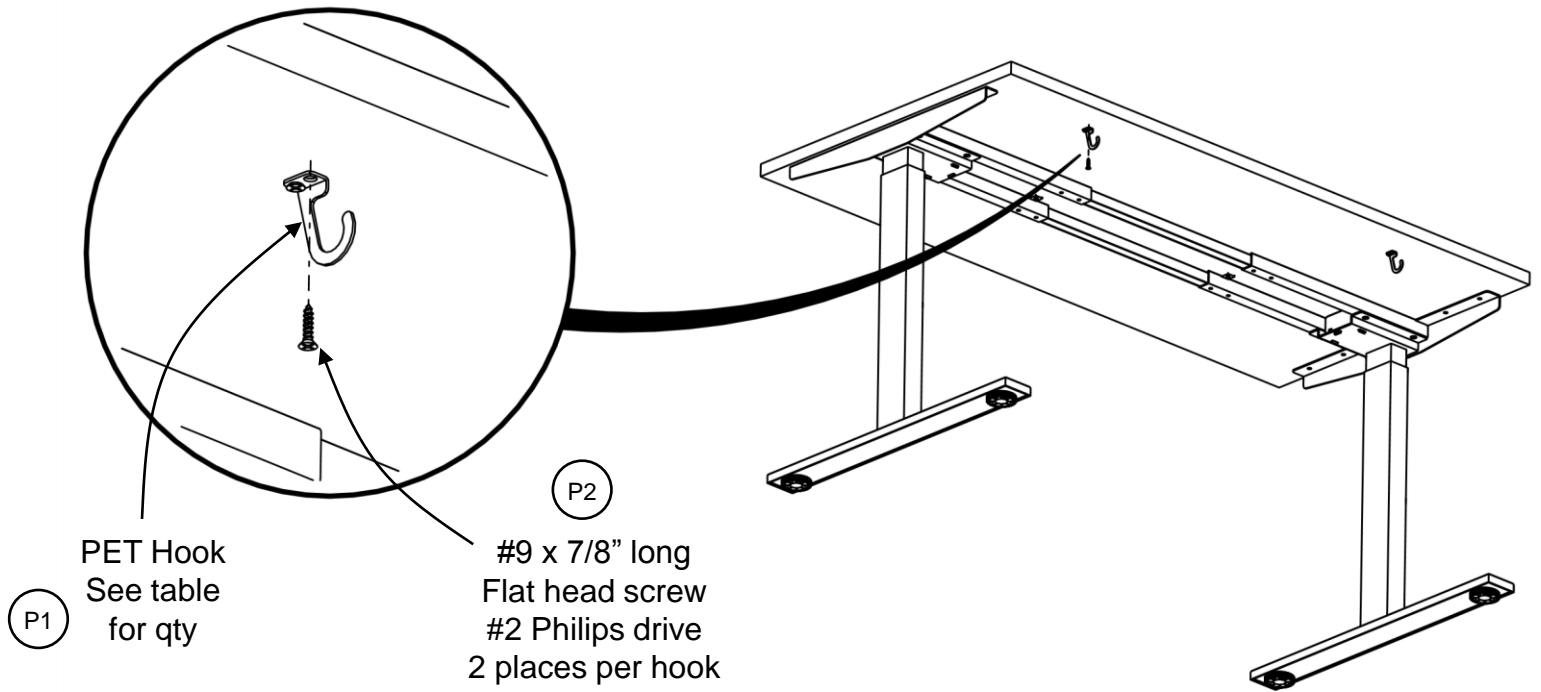
12D X 72W – 84W  
18D X 66W – 84W  
Qty = 6



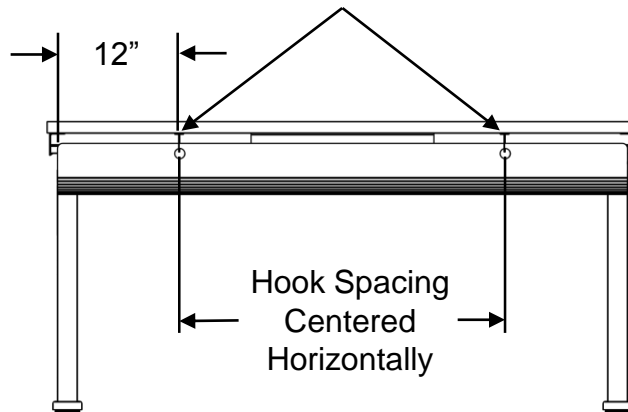
24D X 48W – 84W  
30D X 42W – 84W  
Qty = 8

# PET Enclosures with Wire Managers Installation Instructions

**Step 3:** Install hooks to worksurface as shown using #9 x 7/8" worksurface screws.

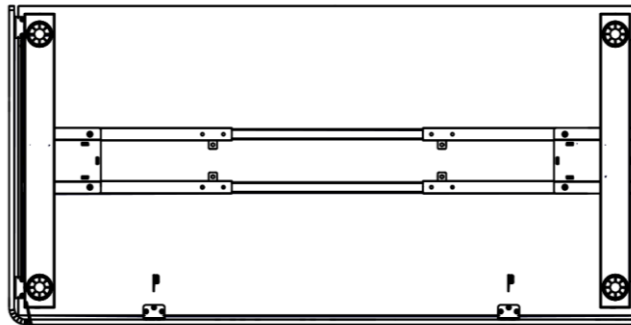
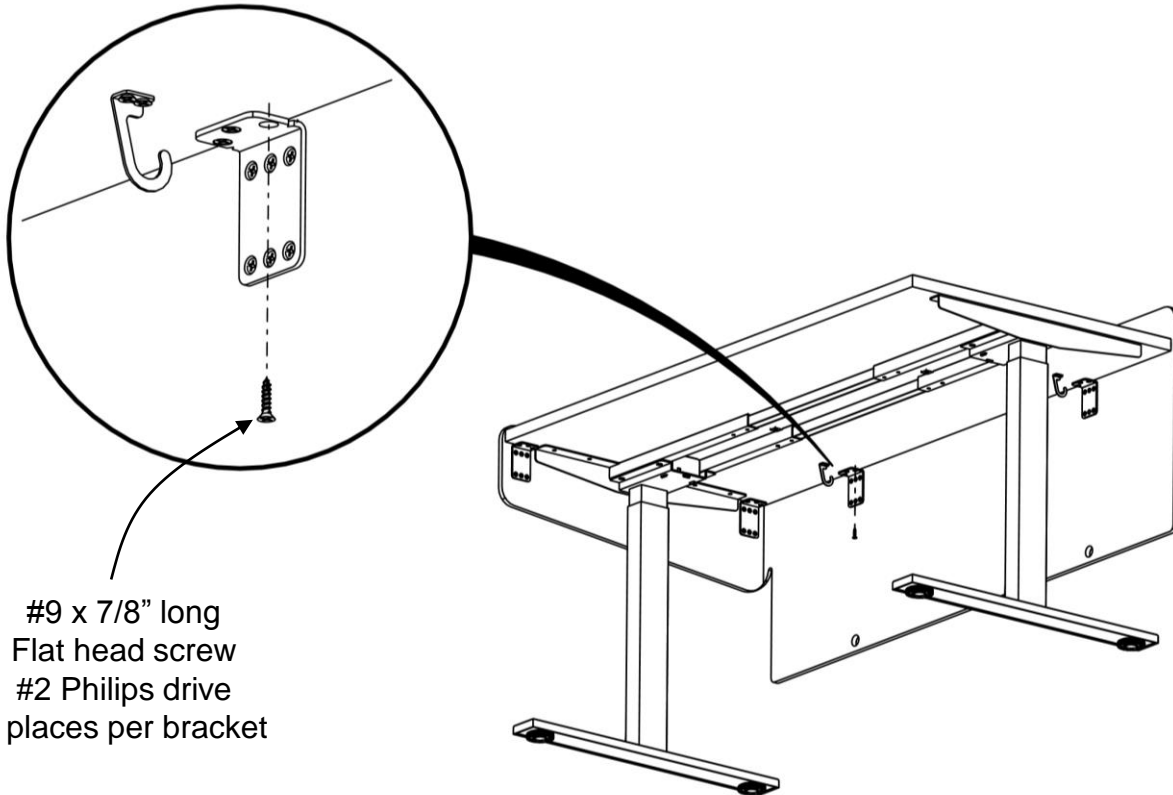


Use the holes in the PET Wire Manager to locate and mark the hook locations



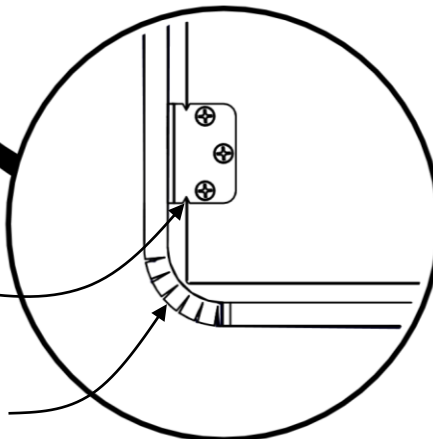
# PET Enclosures with Wire Managers Installation Instructions

**Step 4:** Secure L-Brackets to the worksurface using #9 x 7/8" worksurface screws.



Align notch in  
bracket to the edge  
of the worksurface

Center screen corner to  
worksurface corner



3/8" Gap  
between screen  
and worksurface



# PET Enclosures with Wire Managers Installation Instructions

**Step 5:** Hang the PET screen onto the hooks.

