

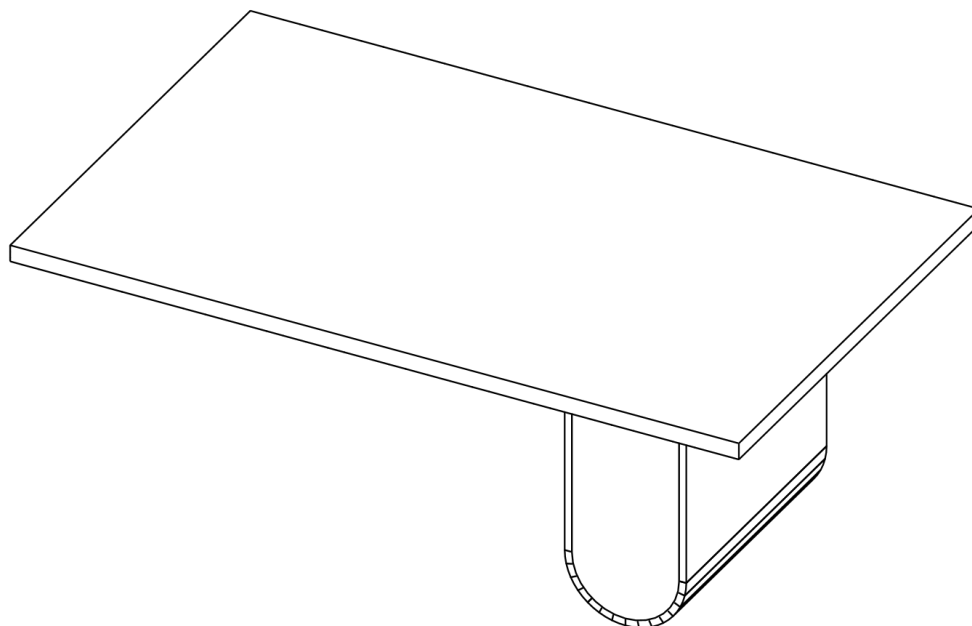


# PET Sling Installation Instructions

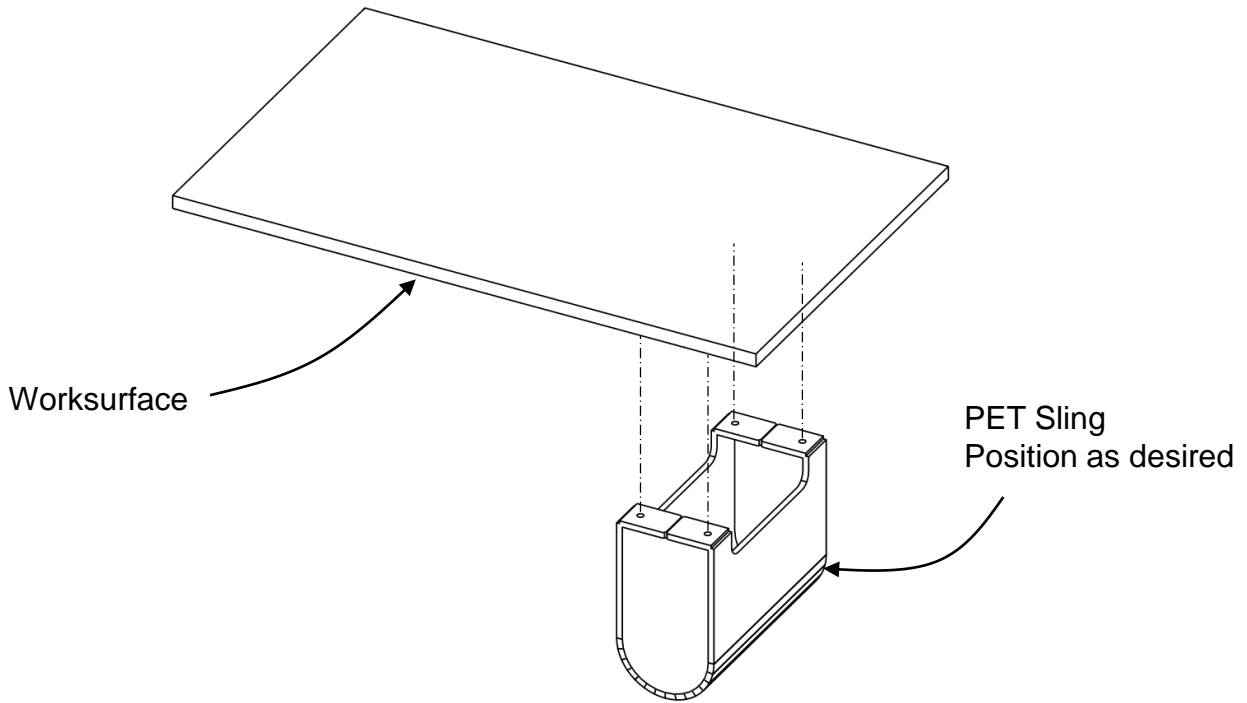
| Date       | Page No. | Description of change | Name      |
|------------|----------|-----------------------|-----------|
| 12/20/2022 | 1-2      | Released              | S. Powers |

| Item | Replacement Part number | Circle Sheet Part Number | Description                 | Image  |
|------|-------------------------|--------------------------|-----------------------------|--|
| P1   | RH-01023068-I           | RH-01023068-I            | #8 X 1 1/4" Flat Head Screw |   |
| P2   | RH-91090A120            | RH-91090A120             | 1" Washer                   |  |



# PET Sling Installation Instructions

**Step 1:** Position PET Sling below worksurface as desired



**Step 2:** Secure in place using #10 screw and washer

