

Details

Overheads cleat mount will be build on the floor for cleat mounting applications, then hung on the wall cleat. Installation method for the cleat is the same regardless of the front (Flipper, Sliding or Cabinet). Hardware for installing the cleat onto the wall is not included.

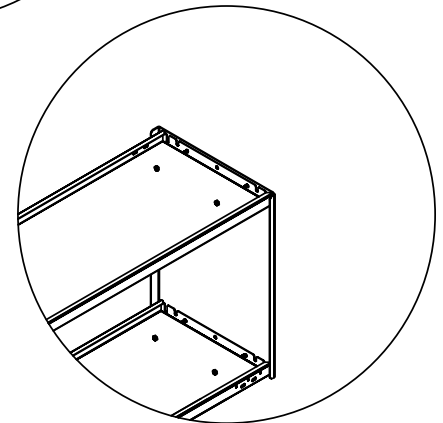
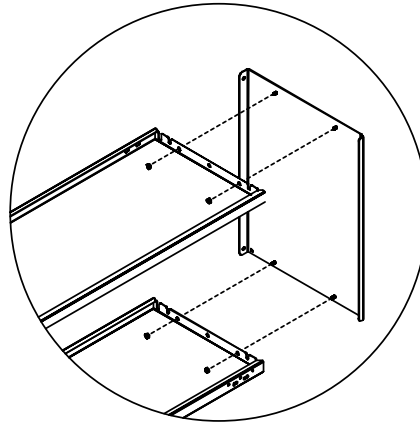
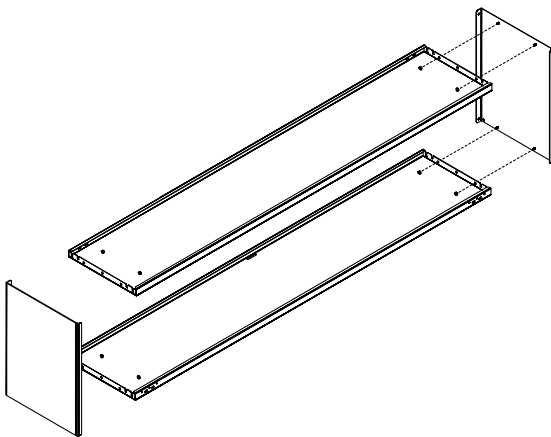
Step 1

Install overhead ends onto the shelves using (8) zinc plated serrated flange nuts (#8-32). It is recommended that this be done with the unit upside down.

Note: Threaded pins go through the holes in the shelves.



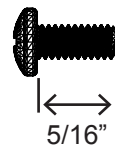
flange nuts (#8-32)



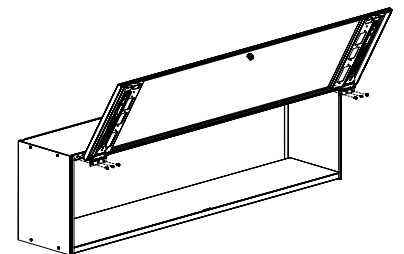
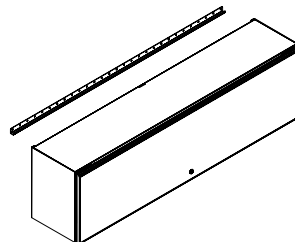
Step 2

Flip unit right side up and hang on the wall cleat. Install front of unit as needed. Standard flipper door front shown as an example.

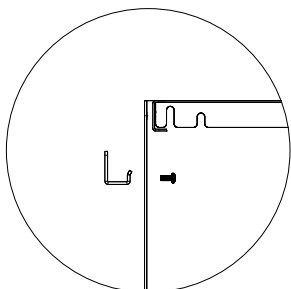
Note: Hardware for mounting cleat to wall is not included. Use hardware appropriate to wall type.



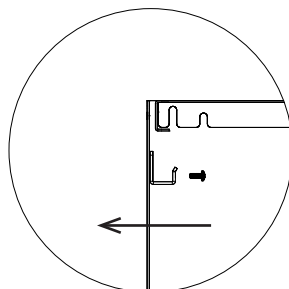
Pan Head 8-32 x 5/16"



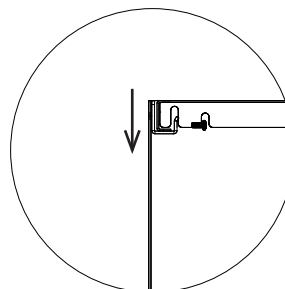
OH, Cleat and Pan Head Screw



Position OH over the cleat mount



Rest OH onto cleat mount



Install Pan Head Screw (anti dislodge)

