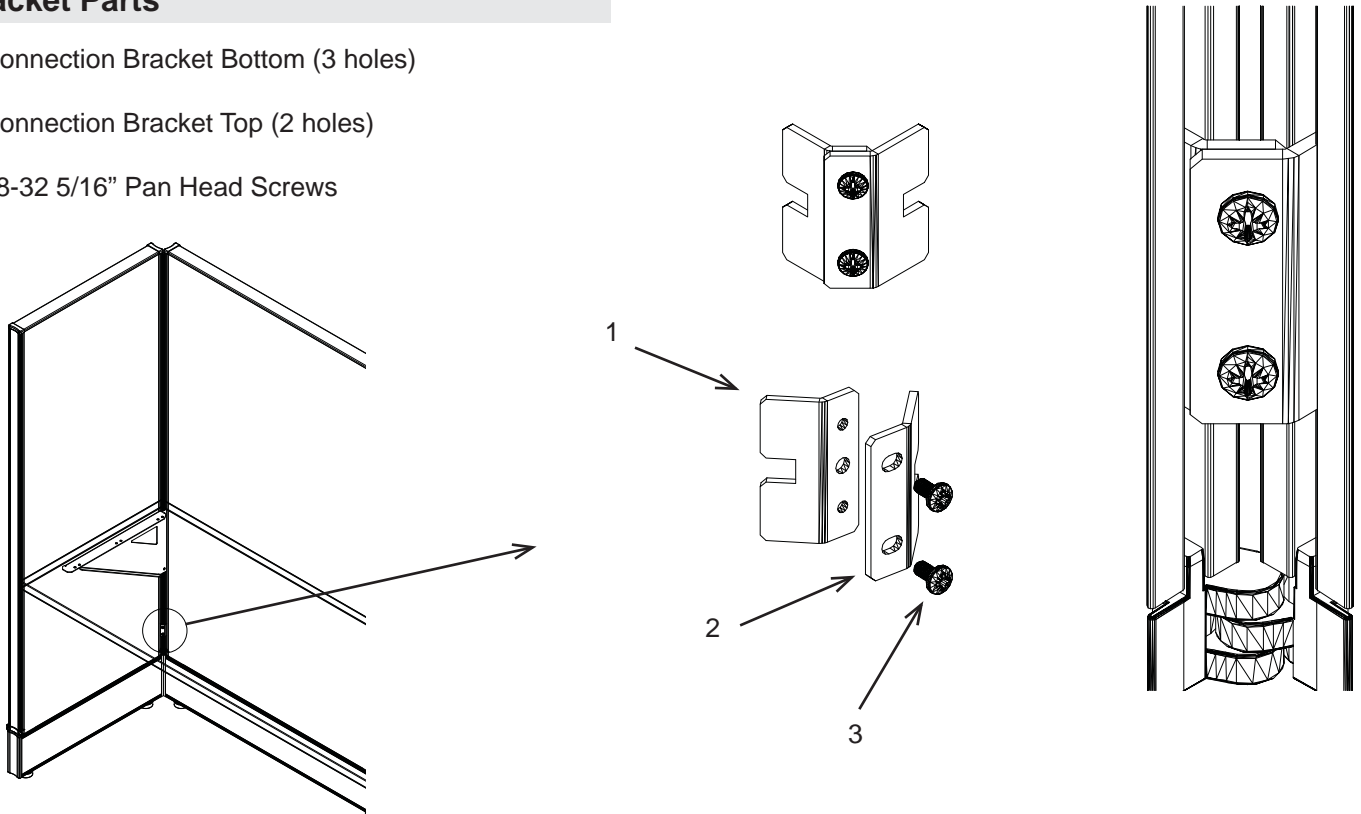


**Details**

Corner connection brackets must be installed on 90 degree connections. Corner connection brackets are included with the panels and do not need to be ordered separately.

**Bracket Parts**

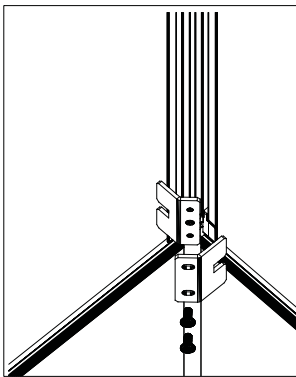
1. Connection Bracket Bottom (3 holes)
2. Connection Bracket Top (2 holes)
3. #8-32 5/16" Pan Head Screws



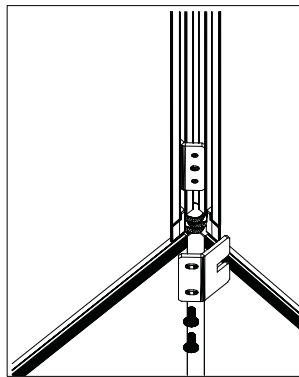
**Step 1**

Install bottom bracket, then top bracket and secure with supplied screws (see below).

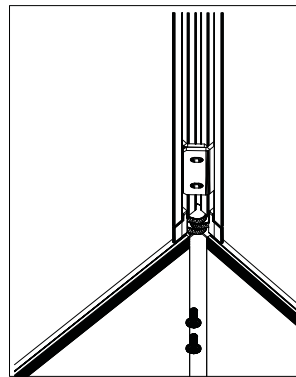
NOTE: Bracket should be installed just above the raceway, within 4 inches of the top of the raceway.



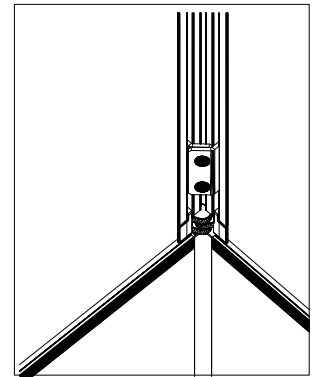
Install Setup



Install bottom bracket



Install top bracket



Secure brackets using #8-32 5/16" Pan Head Screws