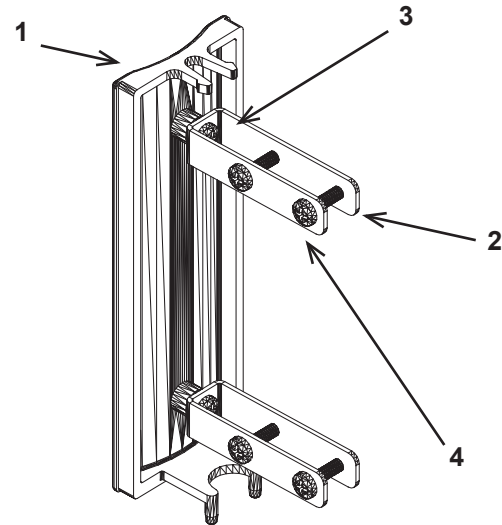


Details

Divi end of run shrouds are installed to the glide post in the base of the panel. The end of run shrouds come pre-assembled and only require the temporary removal of 2 screws to be installed.

Clamp Parts

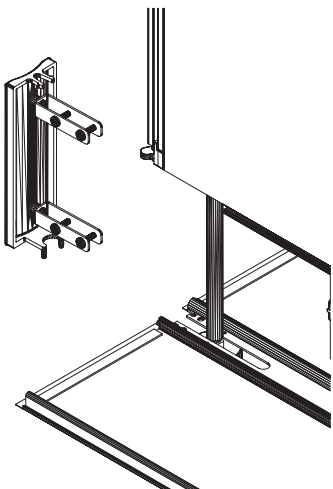
1. End of Run Shroud
2. Divi End Shroud Bracket (factory installed)
3. 8-32 3/8 Philips Pan Head Screw (factory installed)
4. 8-32 3/4 Philips Pan Head Screw (factory installed)



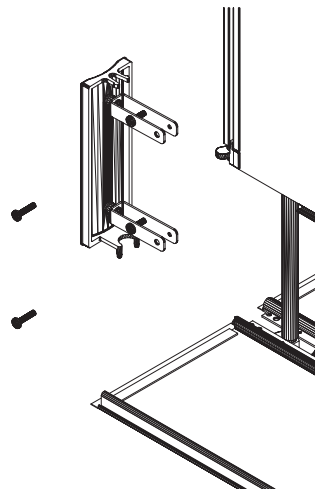
Step 1

Remove and re-install the outside 2 pan head screws. Once all screws are in place, tighten them until the bracket forms slightly around the glide post.

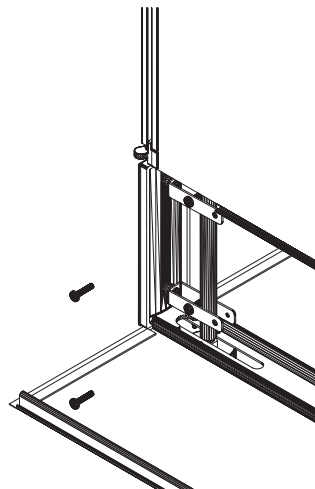
Shroud



Remove 2 screws



Install shroud around the glide post



Reinstall 2 screws, tighten to form bracket around the post

