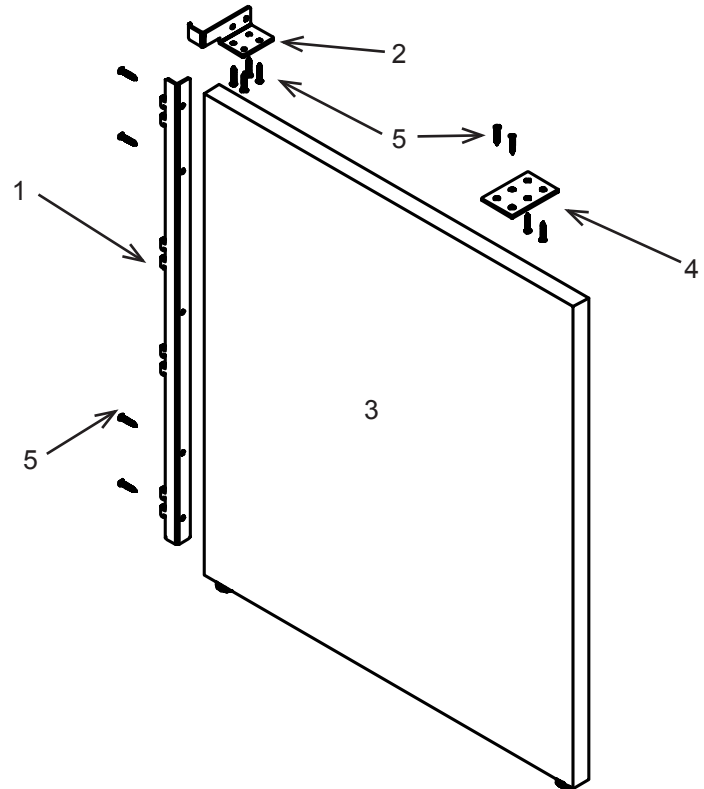


## Details

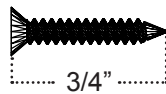
Standard end panels attach to systems panels by way of a long bracket that hooks into the hanger frame. The below instructions use a Matrix frame as an example, however all systems use the same installation method.

## Leg Parts

1. Panel Attach Bracket
2. Locking Bracket
3. Main End Panel
4. Top Plate
5. Worksurface Screws



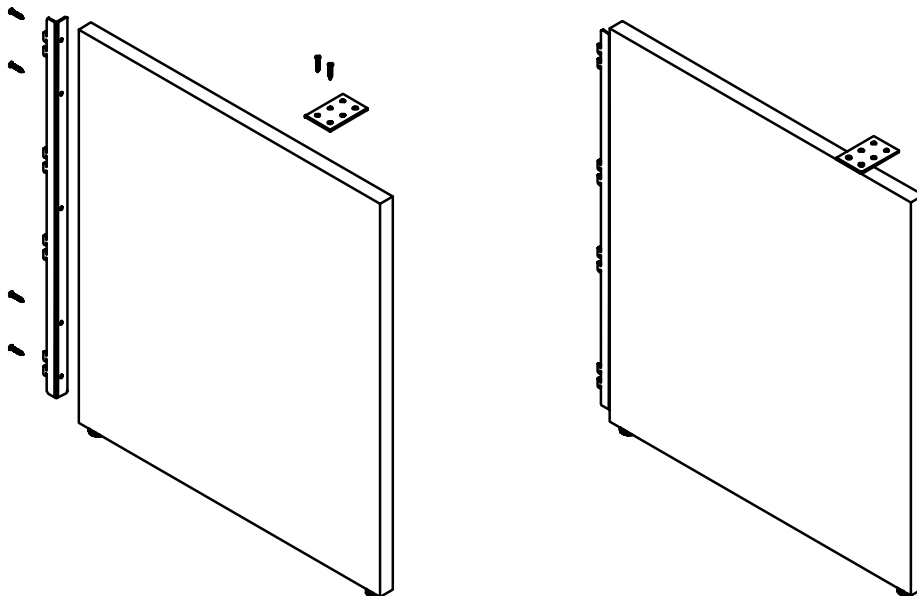
Standard Worksurface Screw



## Step 1

Attach the panel attach bracket and the top plate to the main end panel.

NOTE: The panel attach bracket will line up with pre-drilled holes in the main end panel.



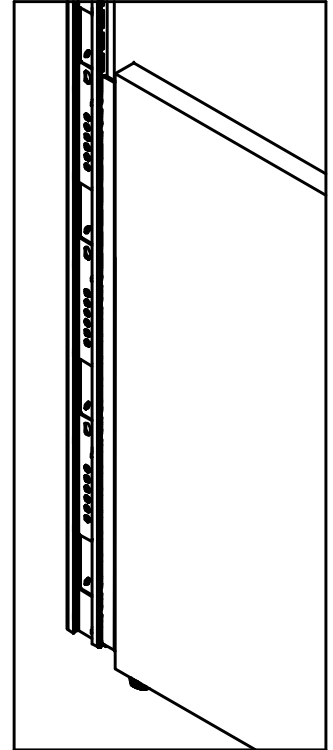
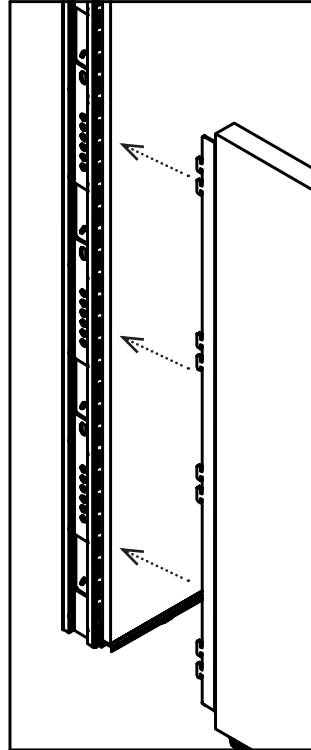
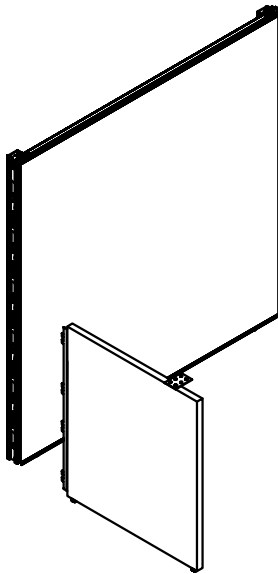
## Details

Standard end panels attach to systems panels by way of a long bracket that hooks into the hanger frame. The below instructions use a Matrix frame as an example, however all systems use the same installation method.

### Step 3

Attached the assembled end panel to the panel hanger frame.

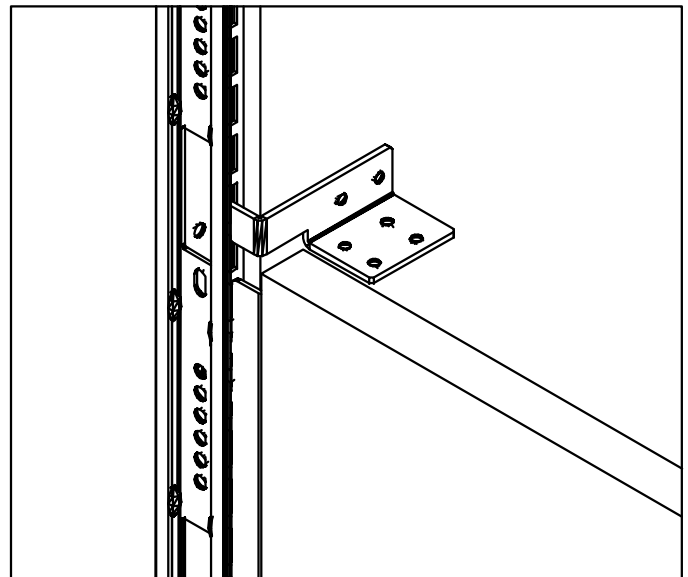
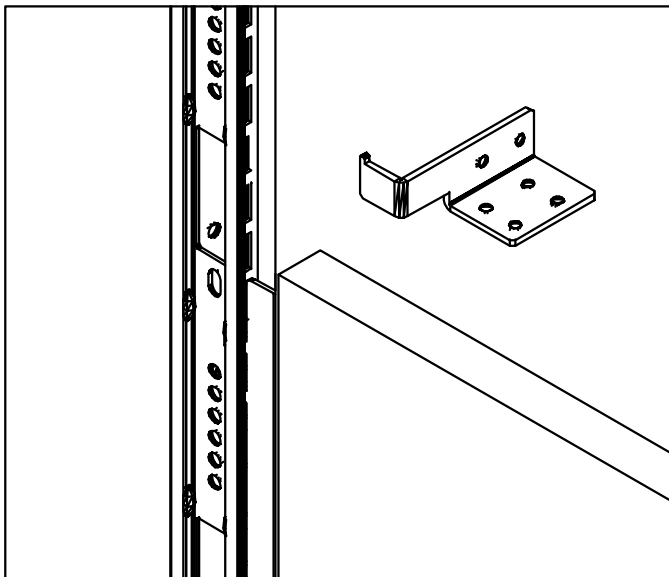
Note: Matrix shown as an example, but all systems have slightly different panel attach brackets.



### Step 4

Place the locking bracket over the top of the end panel attach bracket, attached to the panel. No screws are used in this step, only place the bracket in this position.

**NOTE:** The bracket will be loose for this step. Securing the bracket to the surface in step 5 is what locks this bracket into place.



## Details

Standard end panels attach to systems panels by way of a long bracket that hooks into the hanger frame. The below instructions use a Matrix frame as an example, however all systems use the same installation method.

## Step 5

Secure the leg to the surface with provided worksurface screws.

