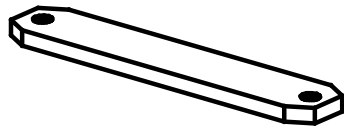


Details

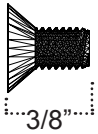
Rail mounted tool bars mount directly onto the worksurface rails, allowing for the use of tool rail accessories. The mounting legs are moderately assembled (on the rail) and only require the addition of the slide plate and machine screws in the field.

Worksurface Rail Parts

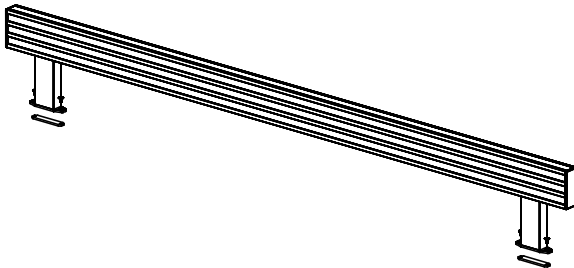
1. Slide Plate
2. #10-32 X 3/8" Flat Head Machine Screw



Slide Plate

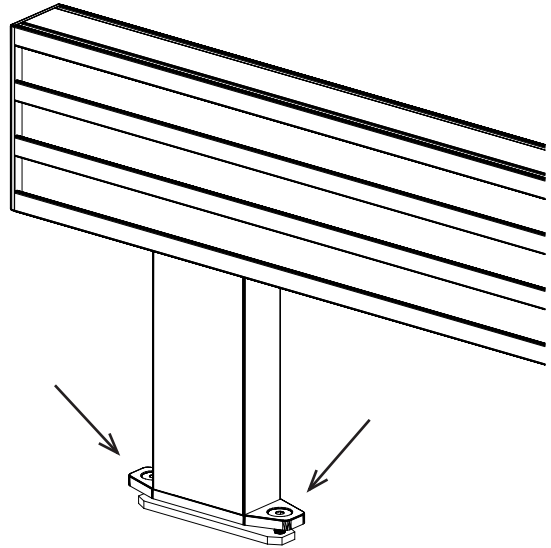


#10-32 X 3/8" Flat Head Machine Screw



Step 1

Using the machine screws, loosely attach the slide plates to the base of the tool bar. The slide plate must be extremely loose in order to attach to the worksurface rail.



Step 2

Remove the end cap from the worksurface rail, and slide the tool bar into place, fitting the slide plate inside the rail. Position as needed and tighten the machine screws.

