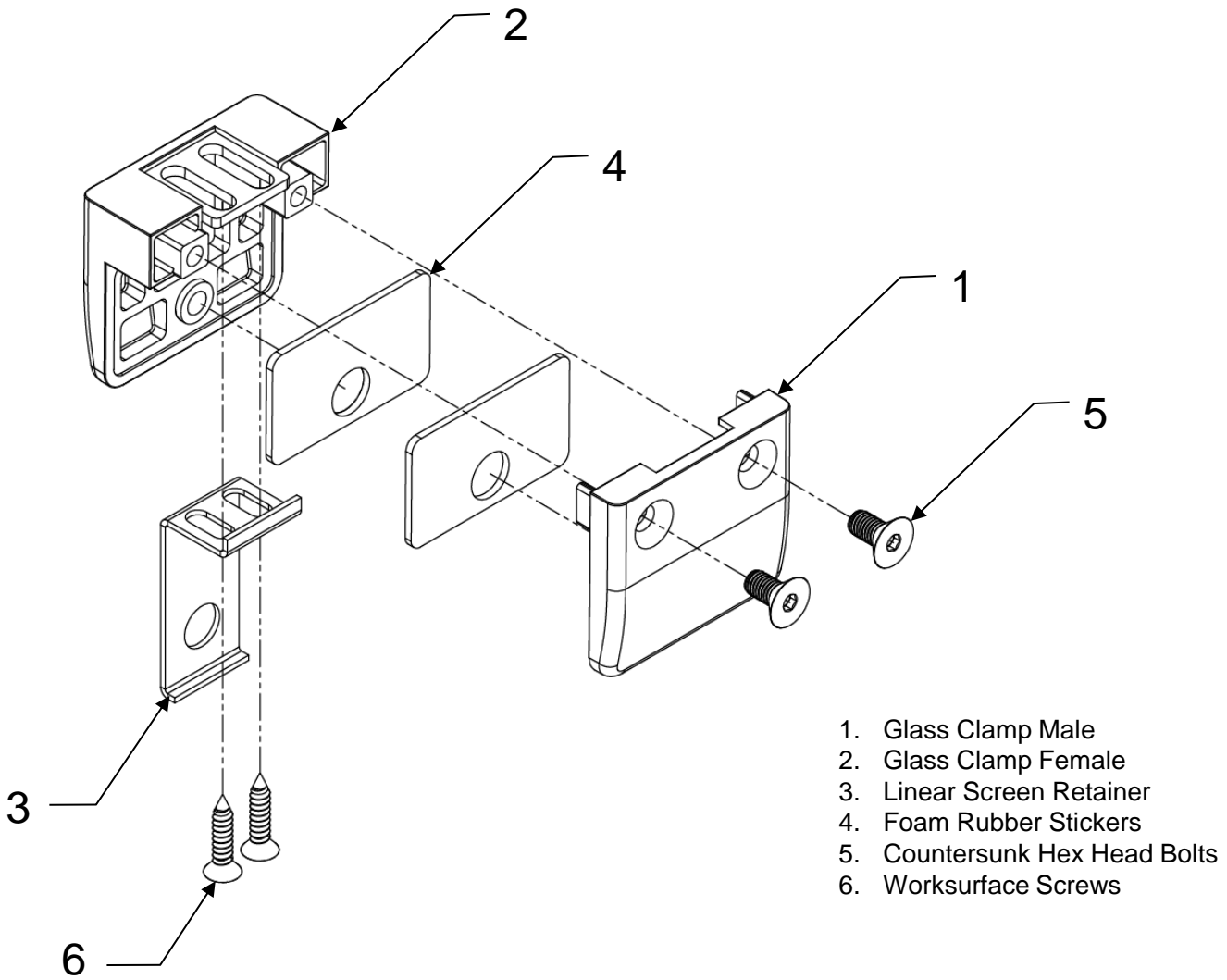
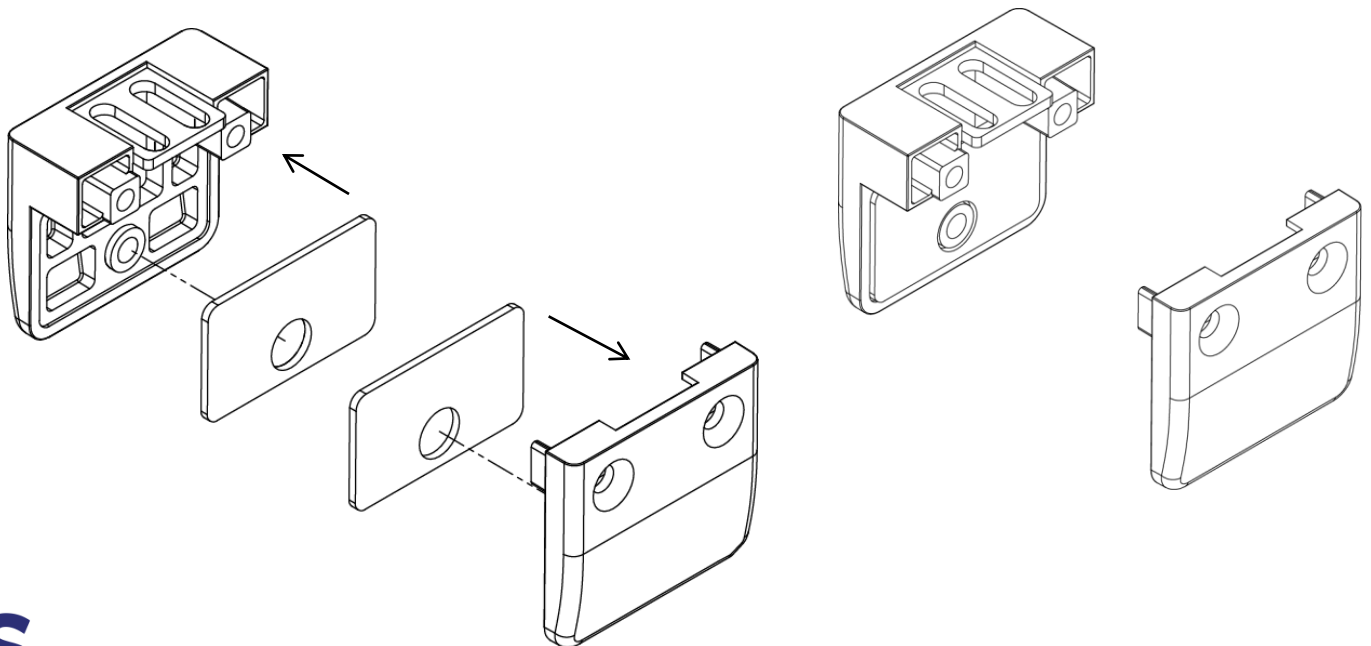


# Linear Glass Modesty Installation



## STEP 1

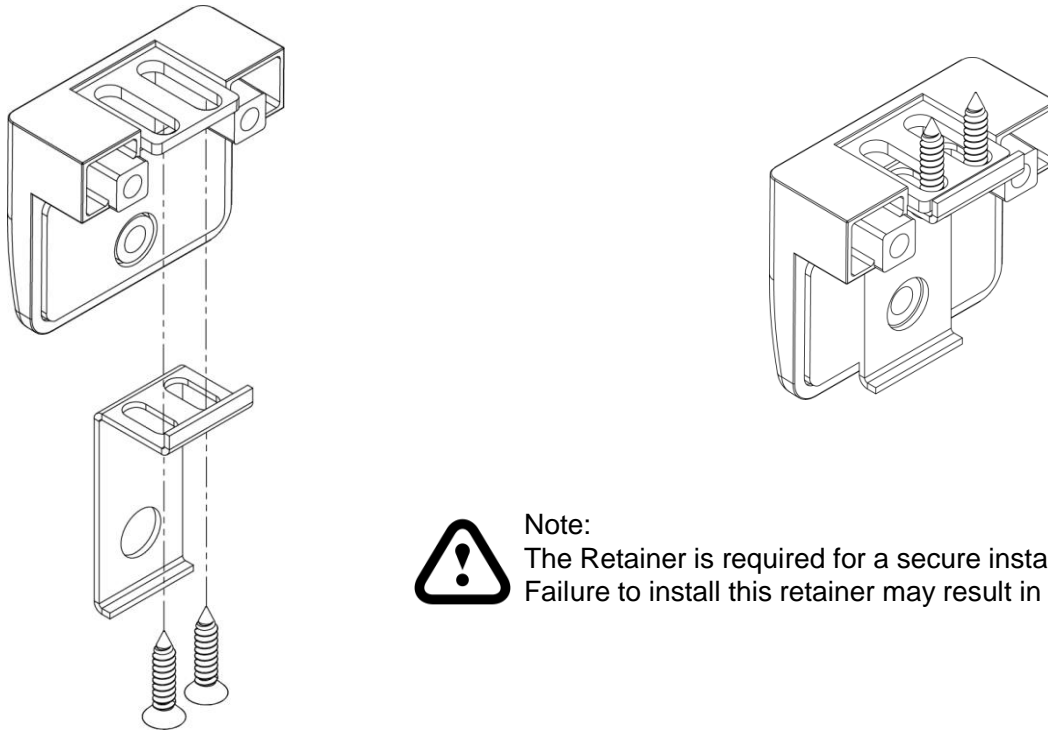
Apply foam rubber stickers to both clamp parts.



# Linear Glass Modesty Installation

## STEP 2

Place the Linear Screen Retainer on the Female Clamp and secure the assembly to the worksurface using the supplied worksurface screws.



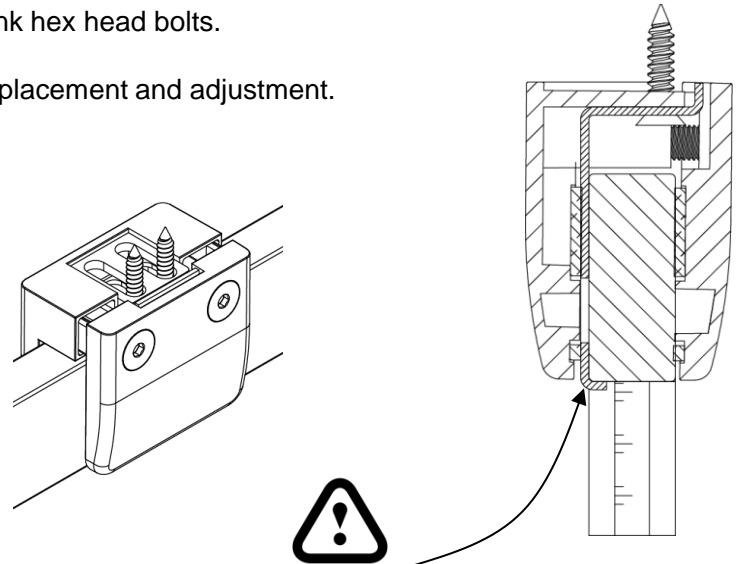
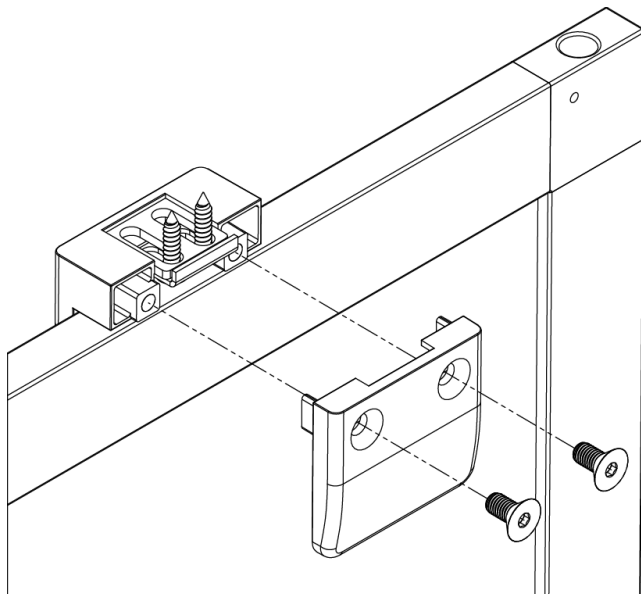
Note:

The Retainer is required for a secure installation. Failure to install this retainer may result in unstable screens.

## STEP 3

Connect the male and female clamps using the countersunk hex head bolts.

Tip: Leaving the hex bolts loose will allow for easy screen placement and adjustment.



Check to insure retainer clip is securely seated to the linear frame

Note:

AIS recommends the clamp be located approximately 3.5" from the outside edge of the screens. It is acceptable to have the clamps further from the ends, however this will give the screens more "play" when force is applied. The closer to the corners the clamps are, the more rigid the screens will be.