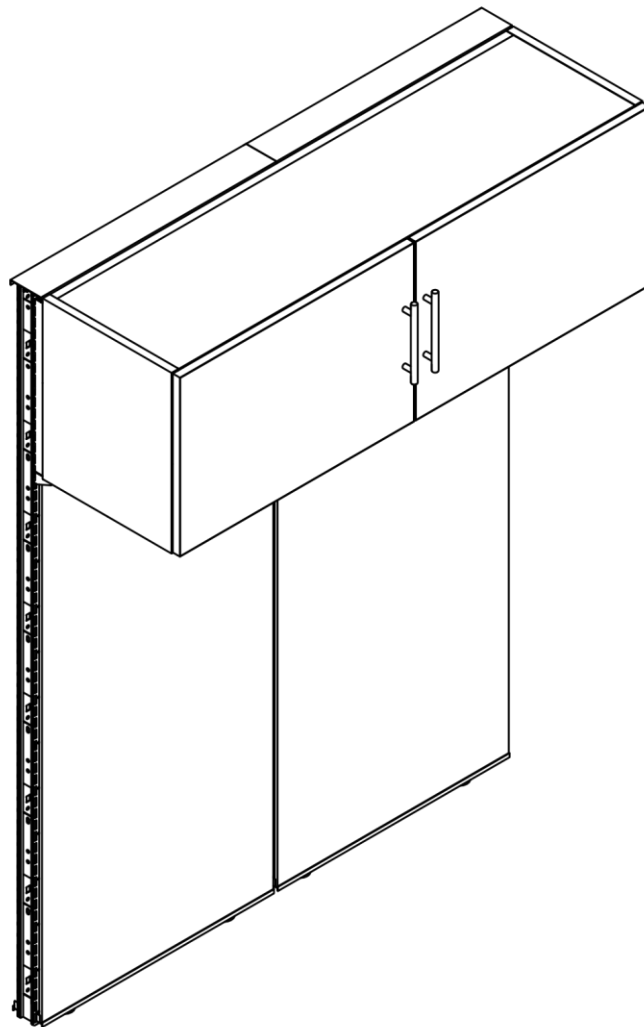
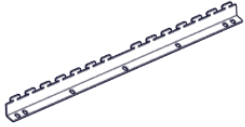






Date	Page No.	Description of change	Name
8/18/2020	1-5	Updated format	S. Powers



Matrix – Panel Mounted Overheads

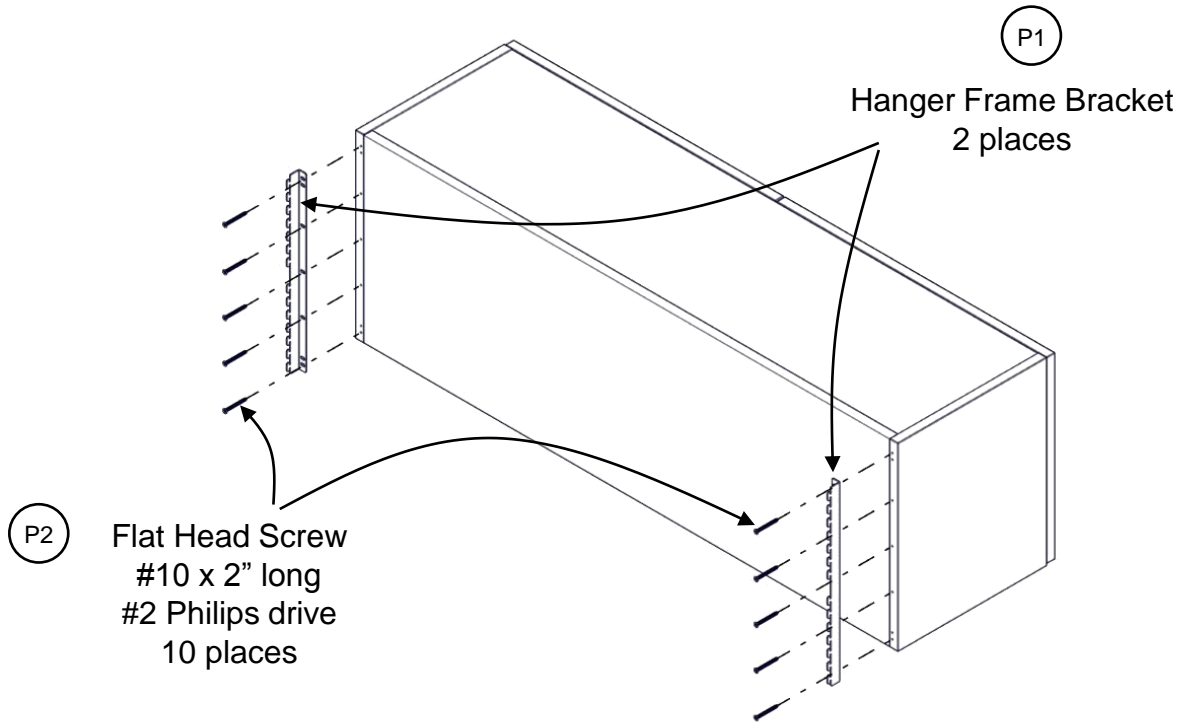
Parts List

Item	Replacement Part number	Circle Sheet Part Number	Description	Image
P1	RC-MXOHB08 (For 8H units) RC-MXOHB (For 16H units)	RC-MXOHB08 (For 8H units) RC-MXOHB (For 16H units)	Hanger Frame Bracket	
P2	RH-SMZFP102B	RH-SMZFP102B	#10 x 2" Flat Head Sheet Metal Screw	
P3	RC-MXOSB	RC-MXOSB	Center Support	
P4	RC-MXOBL (left) RC-MXOBR (right)	RC-MXOBL (left) RC-MXOBR (right)	Locking Brackets (handed)	
P5	RH-QS0978	RH-QS0978	#9 x 7/8" Flat Head Sheet Metal Screw	

Matrix – Panel Mounted Overheads

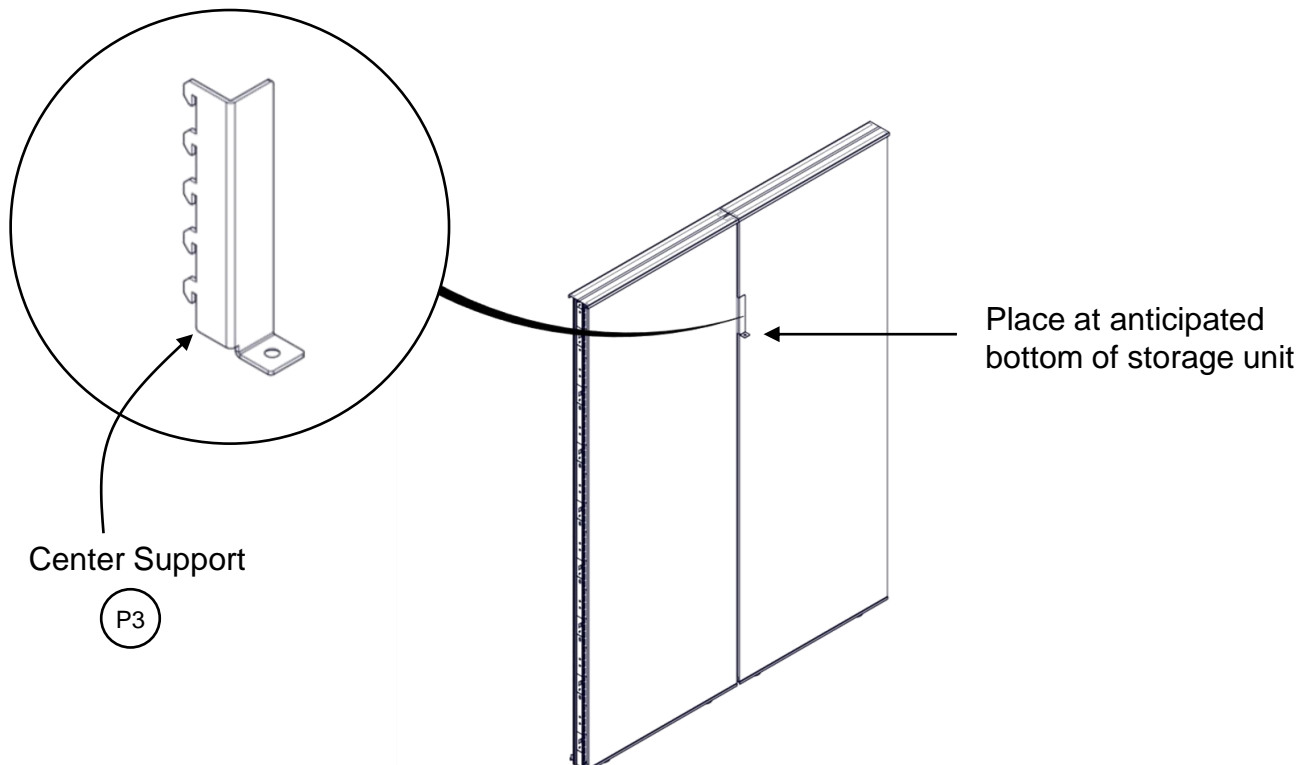
Step 1: Install Hanger Frame Brackets

Install the hanger frame brackets onto the ends of the storage unit using the #10 x 2" flat head screws, using the pre-drilled holes as guides.



Step 2: Install Center Support

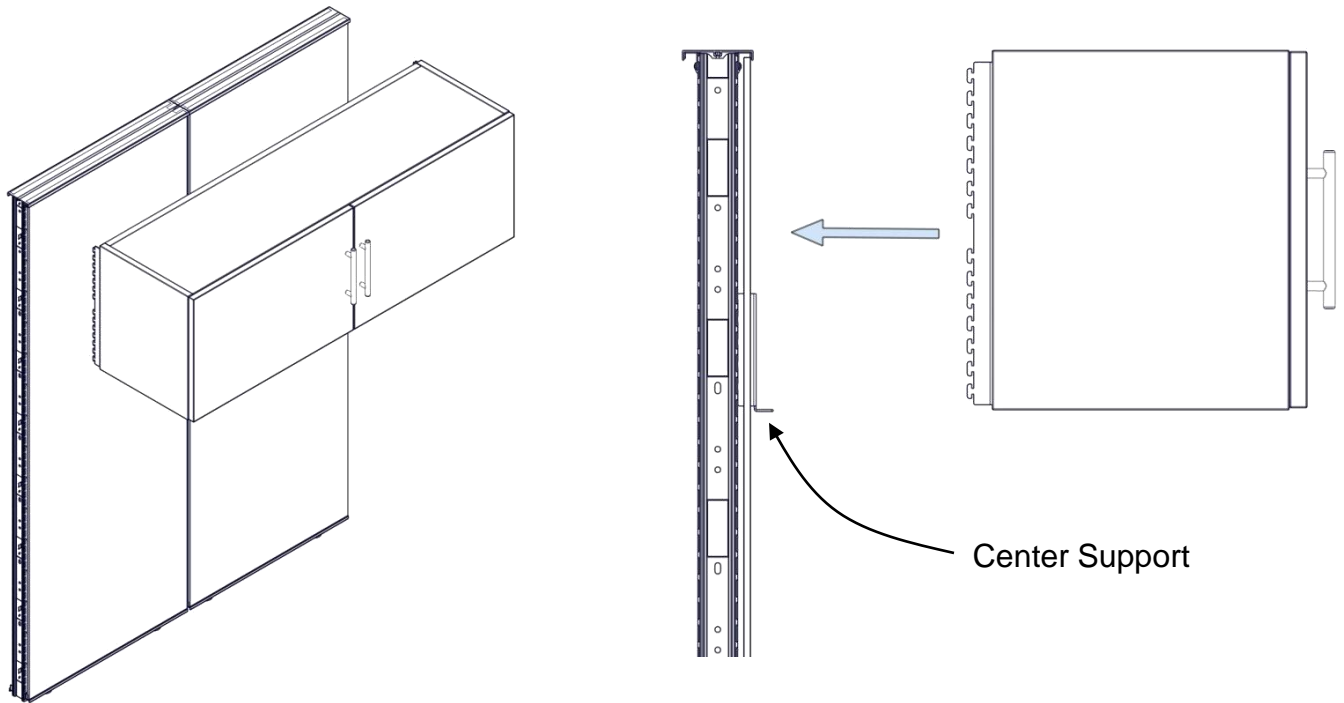
For units spanning two frames, a center support is required. This piece is placed in the seam between the panels, located at the anticipated height for the bottom of the of the unit installed.



Matrix – Panel Mounted Overheads

Step 3: Hang Unit

When hanging the unit on the frame, pay attention to the center support if applicable. If no center support is required, simply hang the unit.



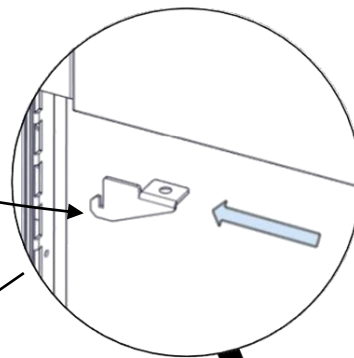
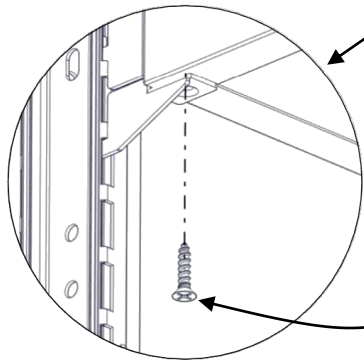
Step 4a: Secure the Unit

Install the locking clamps (left and right) on the bottom ends of the unit. Secure in place using #9 x 7/8" screw.



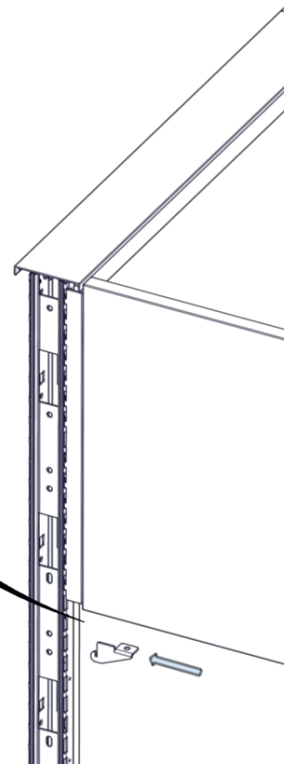
Locking Clamp
(left and right)
Failure to install could
cause injury

P4



P5

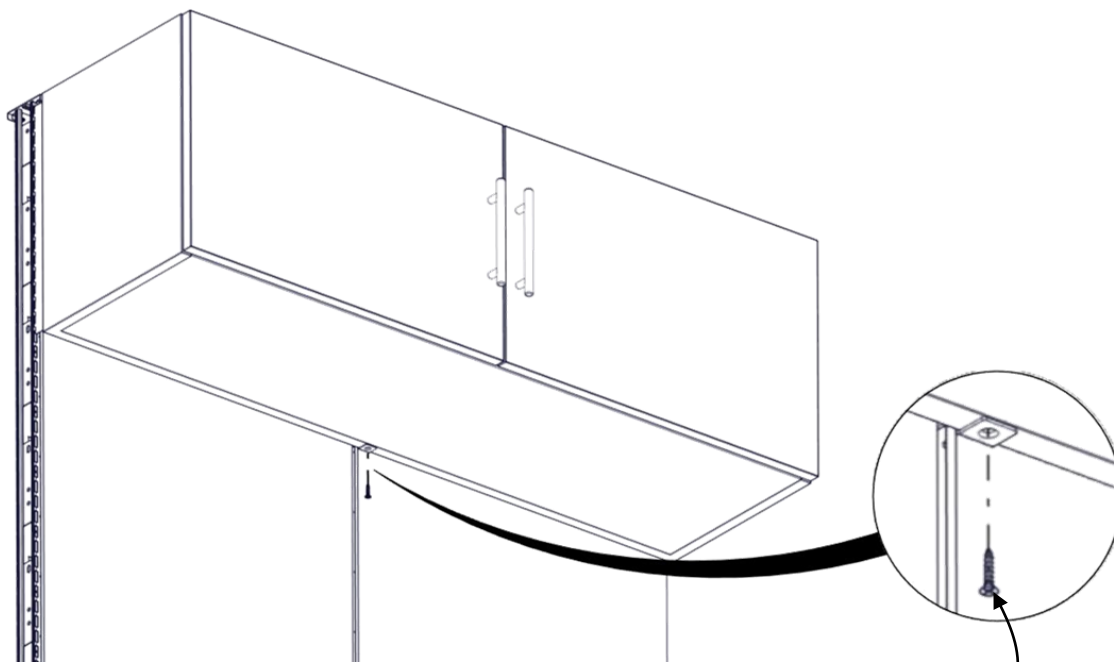
Flat Head Screw
#9 x 7/8" long
#2 Philips drive
2 places



Matrix – Panel Mounted Overheads

Step 4b: Secure the Unit

If a center support is installed, secure to unit using #9 x 7/8" screw.



Flat Head Screw
#9 x 7/8" long
#2 Philips drive

P5