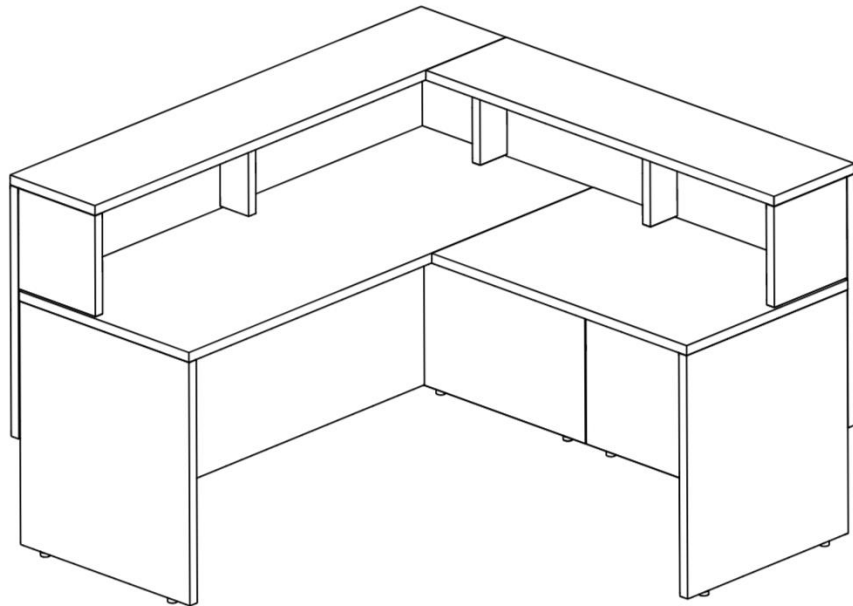
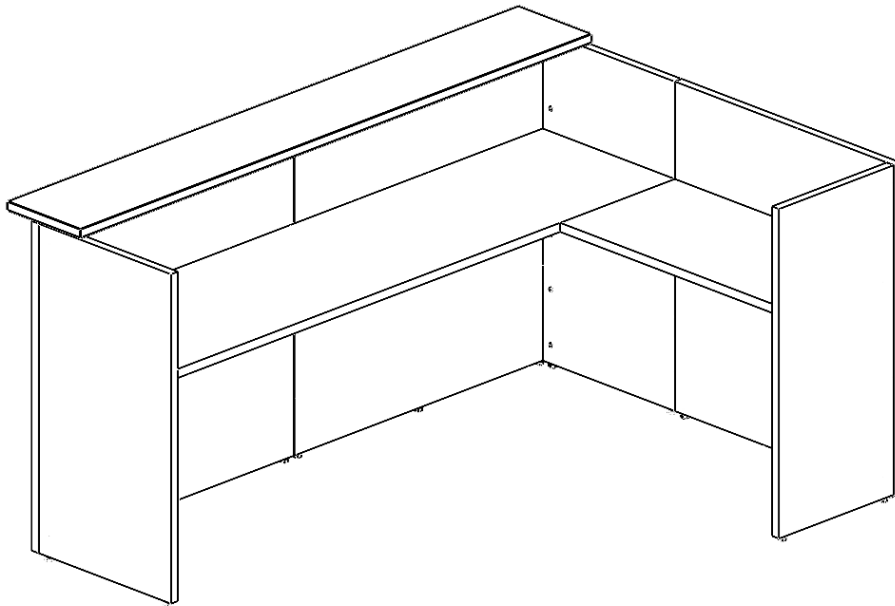


Date	Page No.	Description of change	Name
11/10/2022	1-10	Added corner stack and updated template.	S. Powers



Calibrate Reception Installation

Parts List

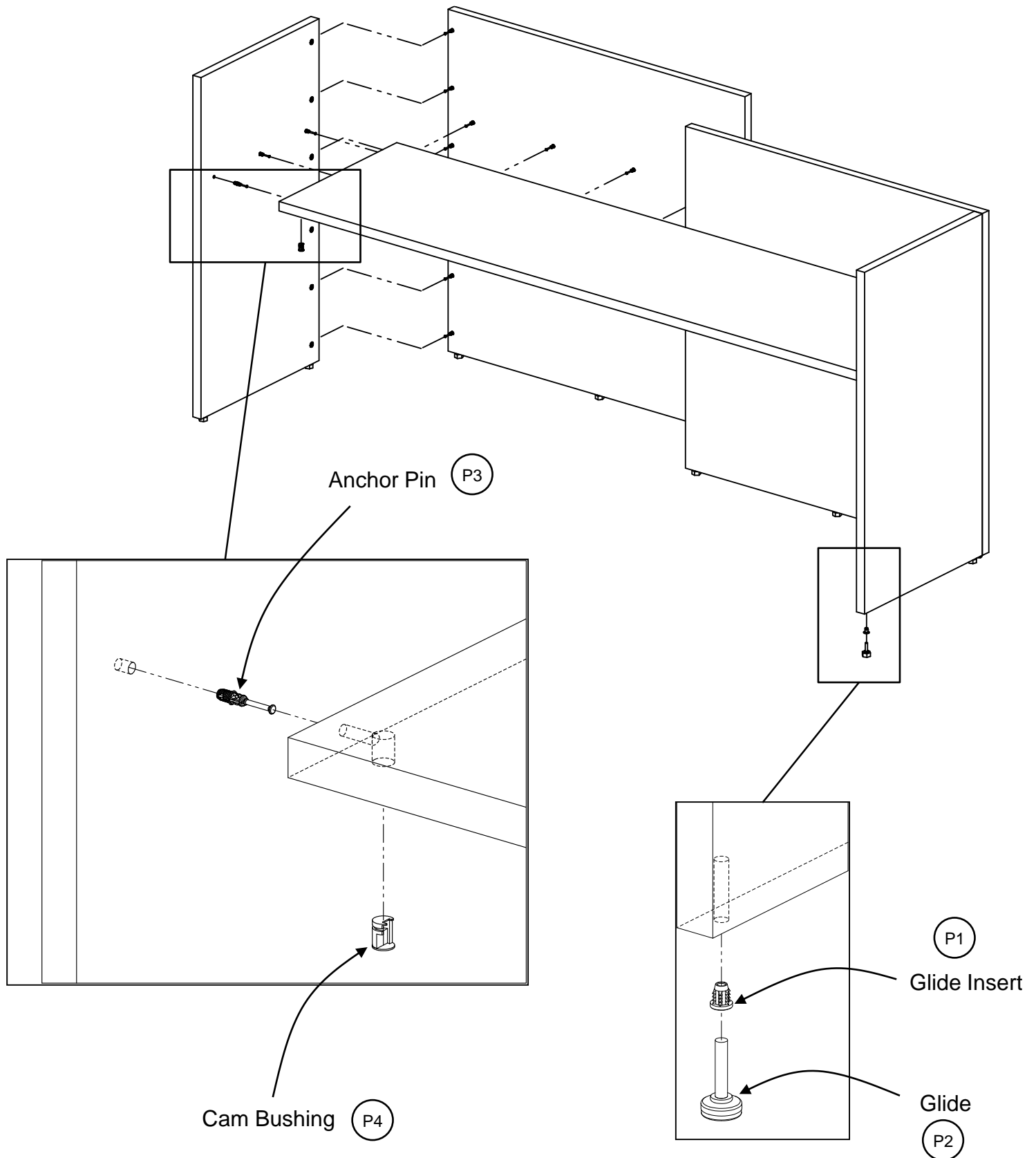
Item	Replacement Part number	Circle Sheet Part Number	Description	Image
P1	RWFS-IN51618B	RWFS-IN51618B	Glide Insert	
P2	RWFS-GL51618	RWFS-GL51618	5/16-18 Glide	
P3	RH-DU325-I	RH-DU325-I	Anchor Pin	
P4	RH-9056601-I	RH-9056601-I	Cam Bushing	
P5	WPS-WMCTL12L	RWPS-WMCTL12L	12" Cantilever	
P6	RH-QS0978	RH-QS0978	#9 X 7/8" Flat Head Wood Screw	
P7	RC-RDCTP	RC-RDCTP	Worksurface Support Bracket	
P8	RH-01023068	RH-01023068	#8 X 1 1/4" Flat Head Wood Screw	
P9	WPS-FP	RWPS-FP	Flat Plate	
P10	RC-HDST	RC-HDST	Double Sided Tape	
P11	RH-01580111	RH-01580111	#10 X 2" Flat Head Wood Screw	

Calibrate Reception Installation

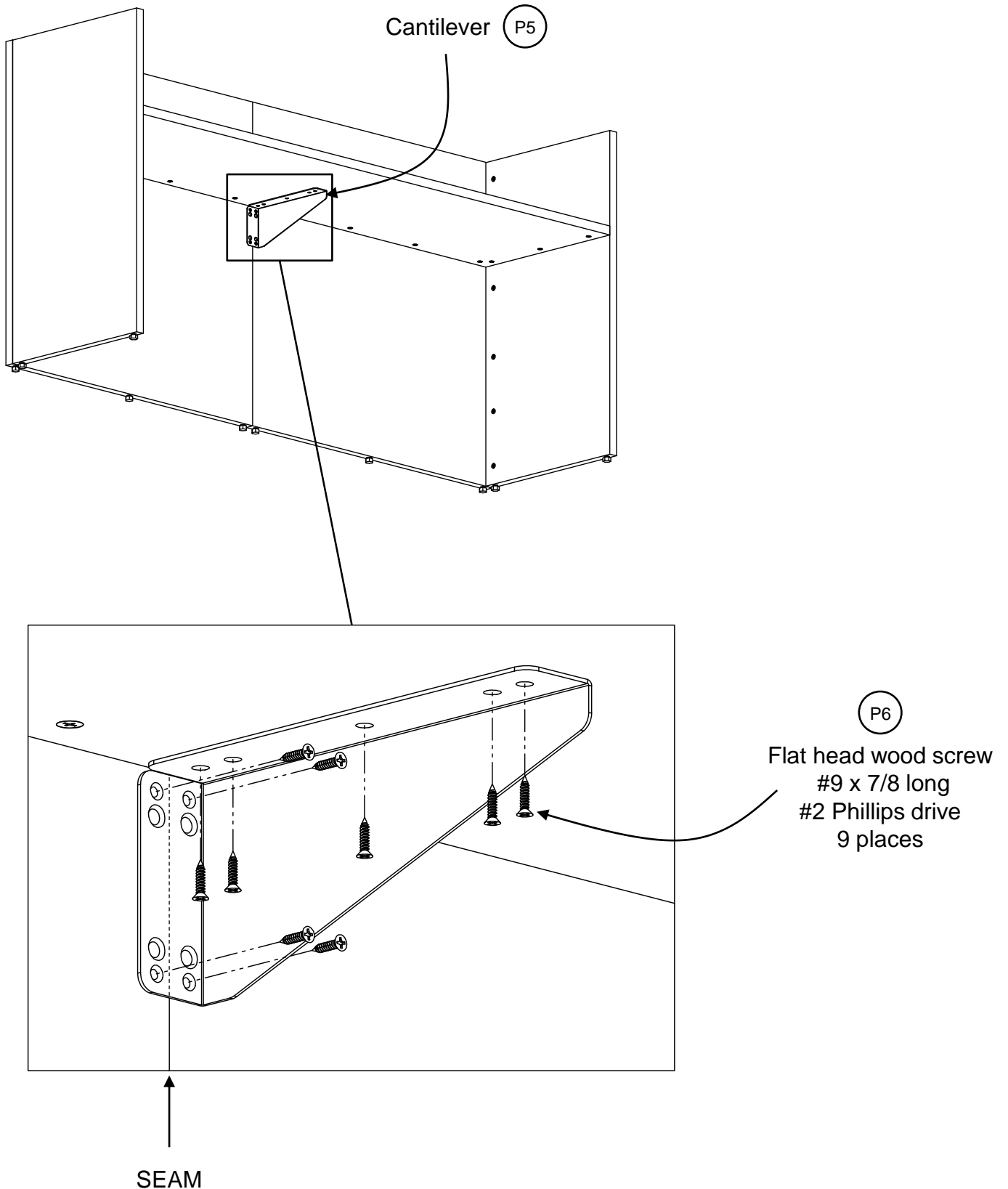
Desk Shell Assembly

Step 1a: Install glide inserts and glides into the bottom of all panels.

Step 1b: Assembly desk shell as shown using cams and pins



Step 2: Install cantilever at seam of panels as shown.

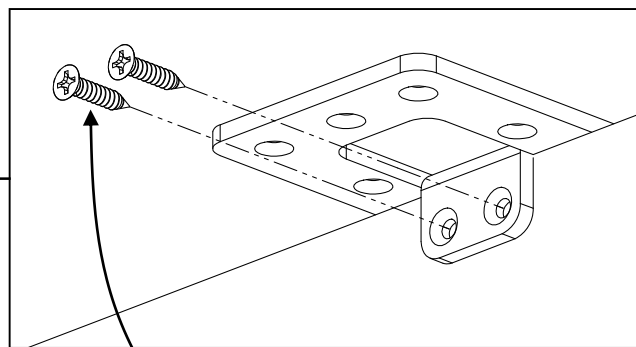
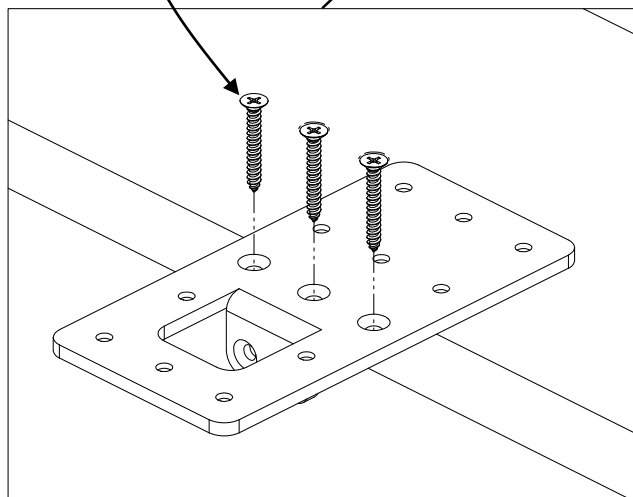
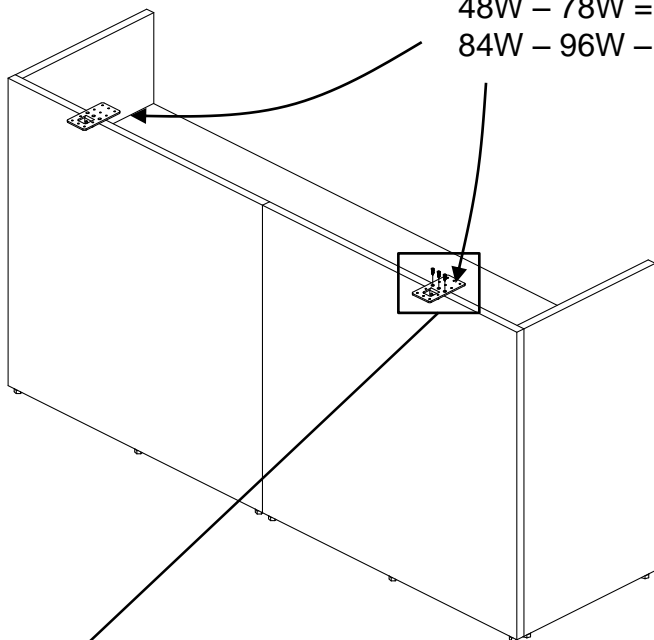


Step 1: Install the worksurface support bracket as shown.

(P7) Worksurface Support Bracket
24W – 42W = Qty 2
48W – 78W = Qty 3
84W – 96W = Qty 4

(P8)

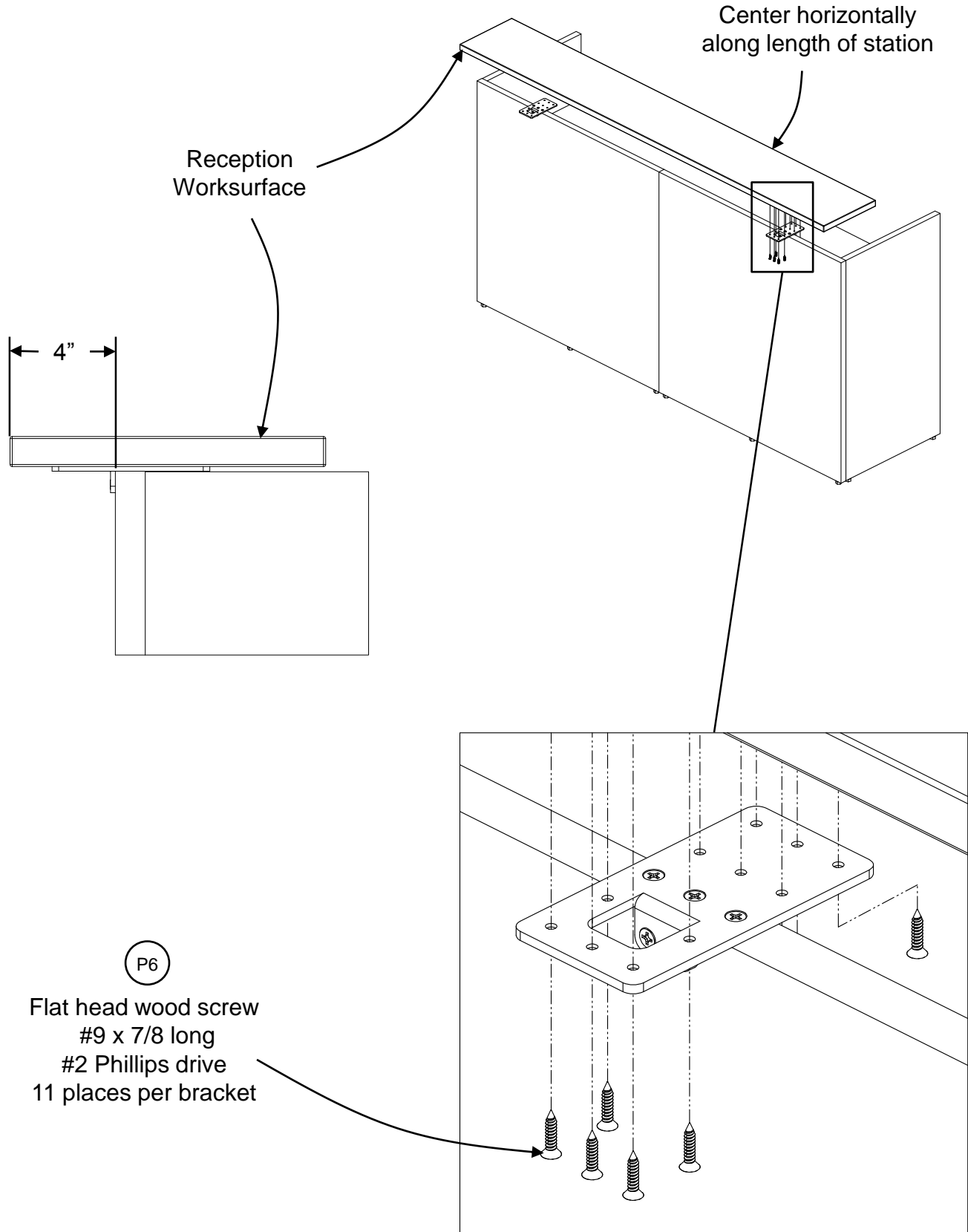
Flat head wood screw
#8 x 1 1/4" long
#2 Phillips drive
3 places per bracket



(P6)

Flat head wood screw
#9 x 7/8 long
#2 Phillips drive
2 places per bracket

Step 2: Align the countertop to the desk shell and secure in place using #9 x 7/8" screws.

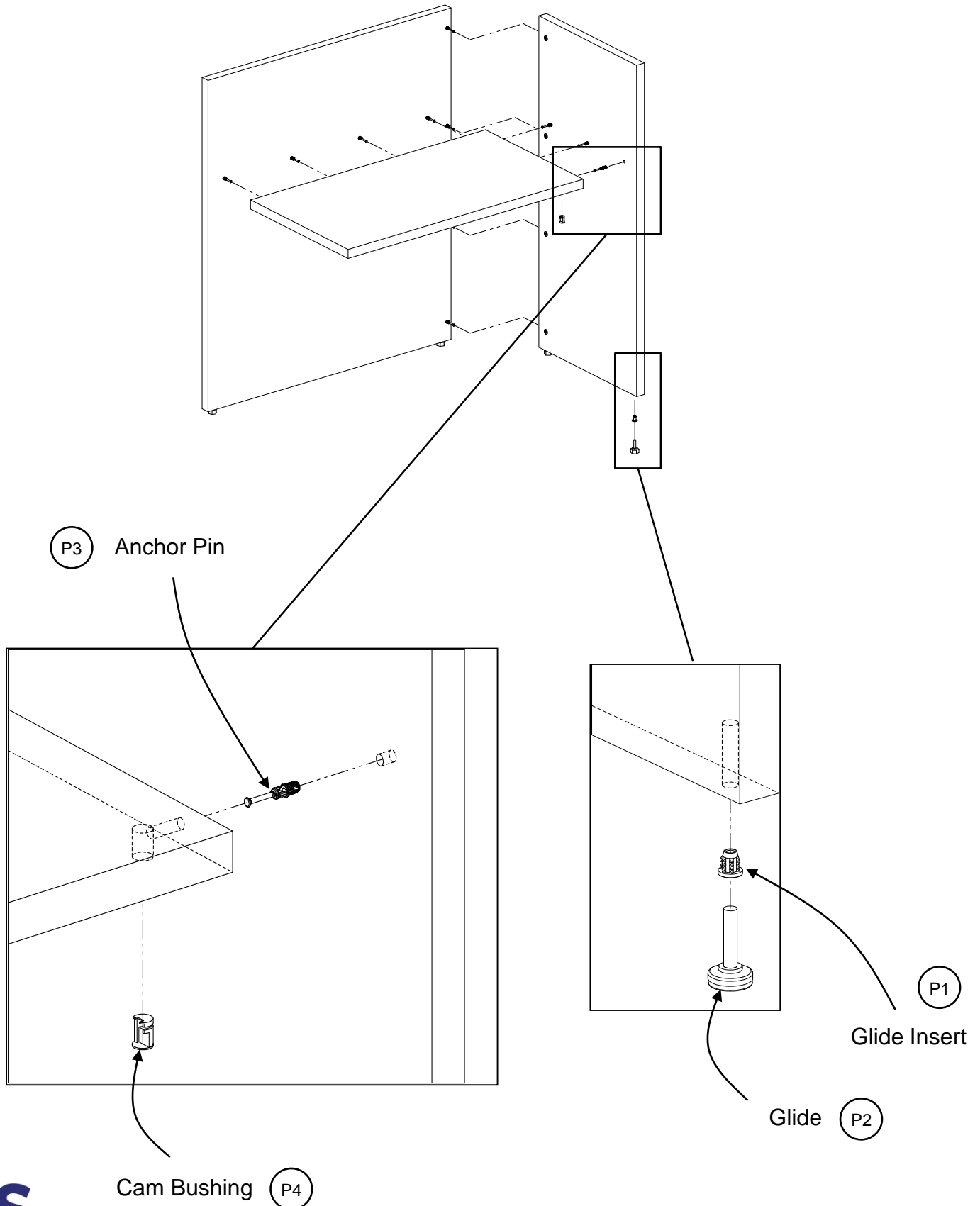


Calibrate Reception Installation

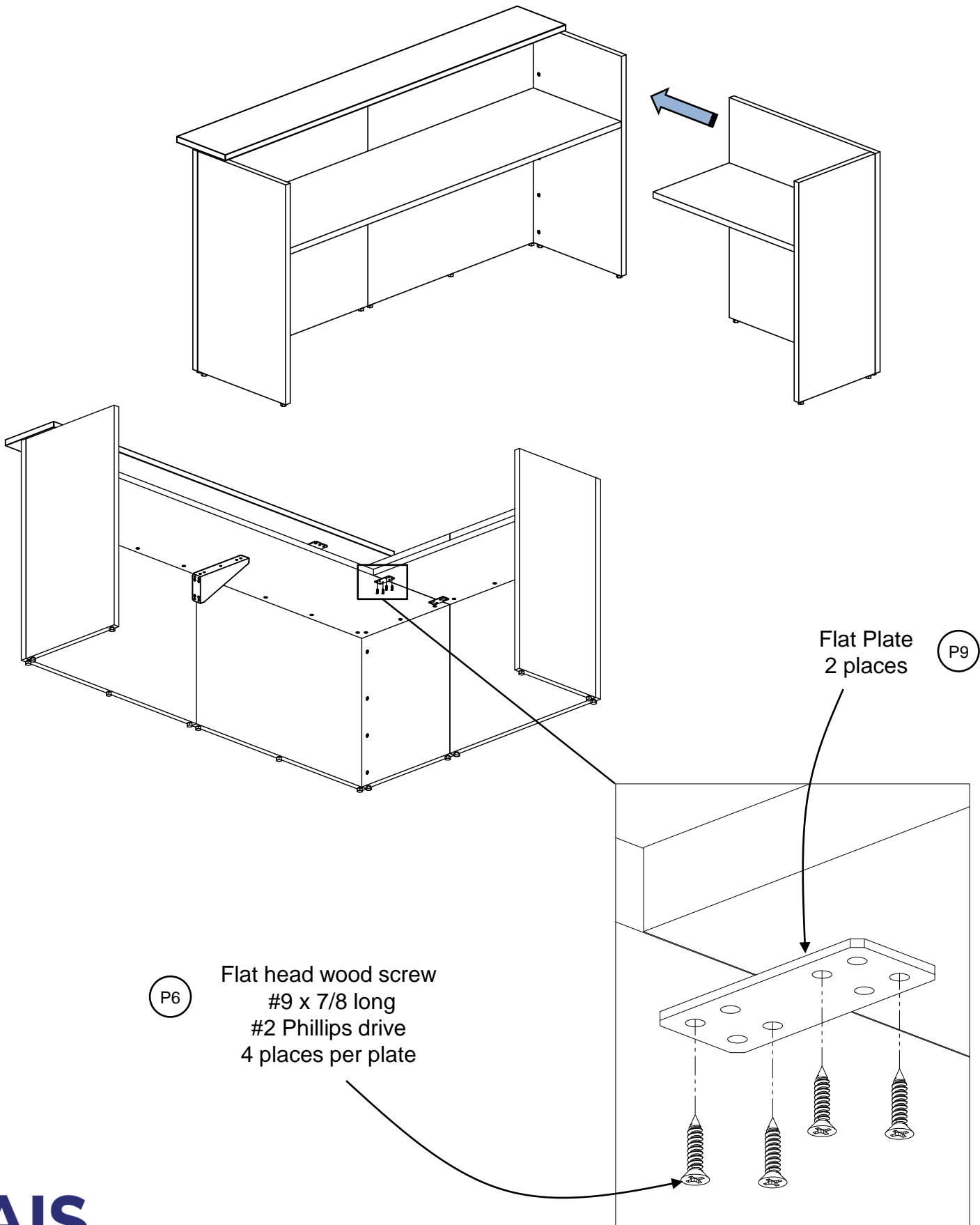
Return Assembly

Step 1a: Install glide inserts and glides into the bottom of all panels.

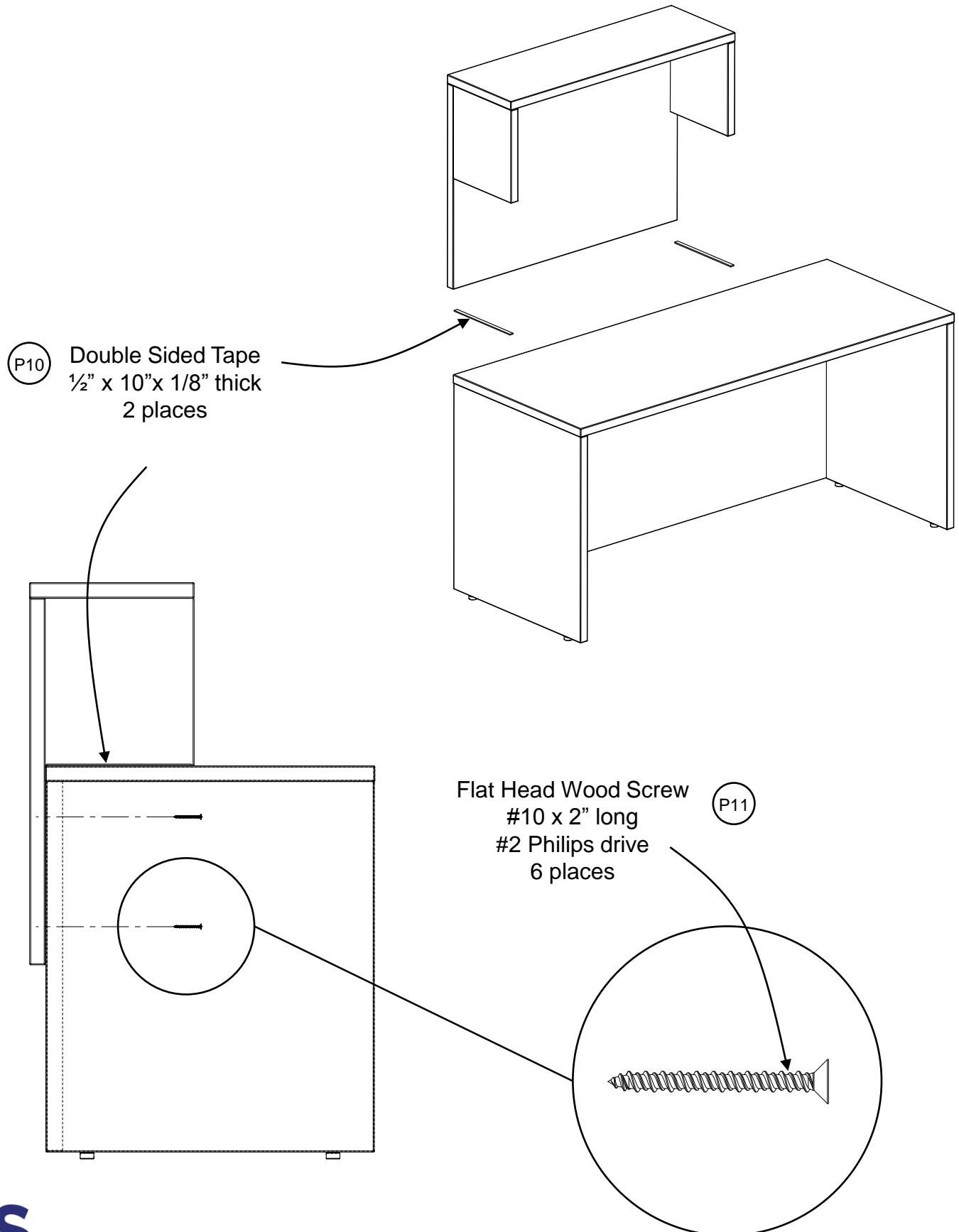
Step 1b: Assembly return as shown using cams and pins



Step 2: Align the return to the desk shell and secure in place using flat plates and #9 x 7/8" screws.



Step 1: Apply double sided tape to the bottom of the stack-on and position on the desk shell as desired. Then, secure in place using #10 X 2" screws.



Step 2 (for corner stack-on only): Install flat plates as seam as shown.

