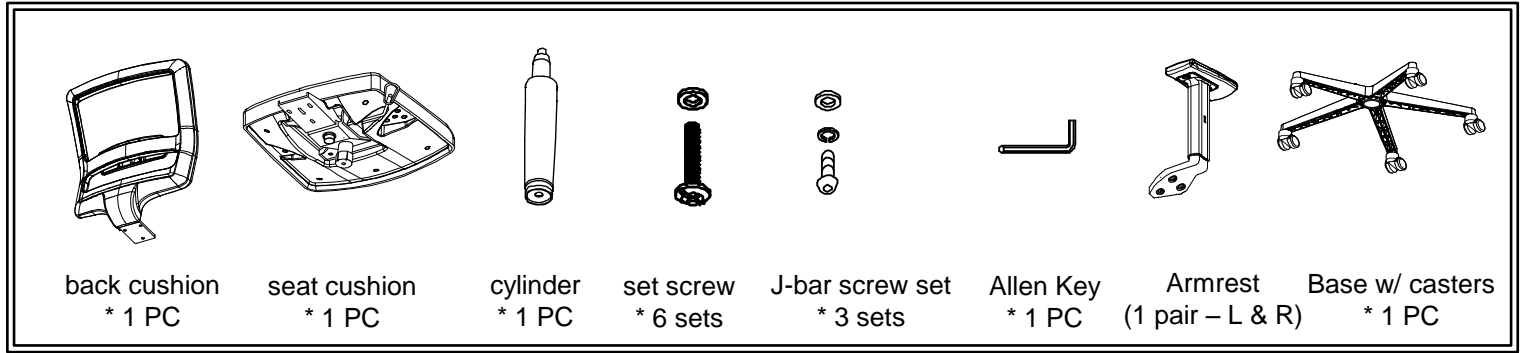
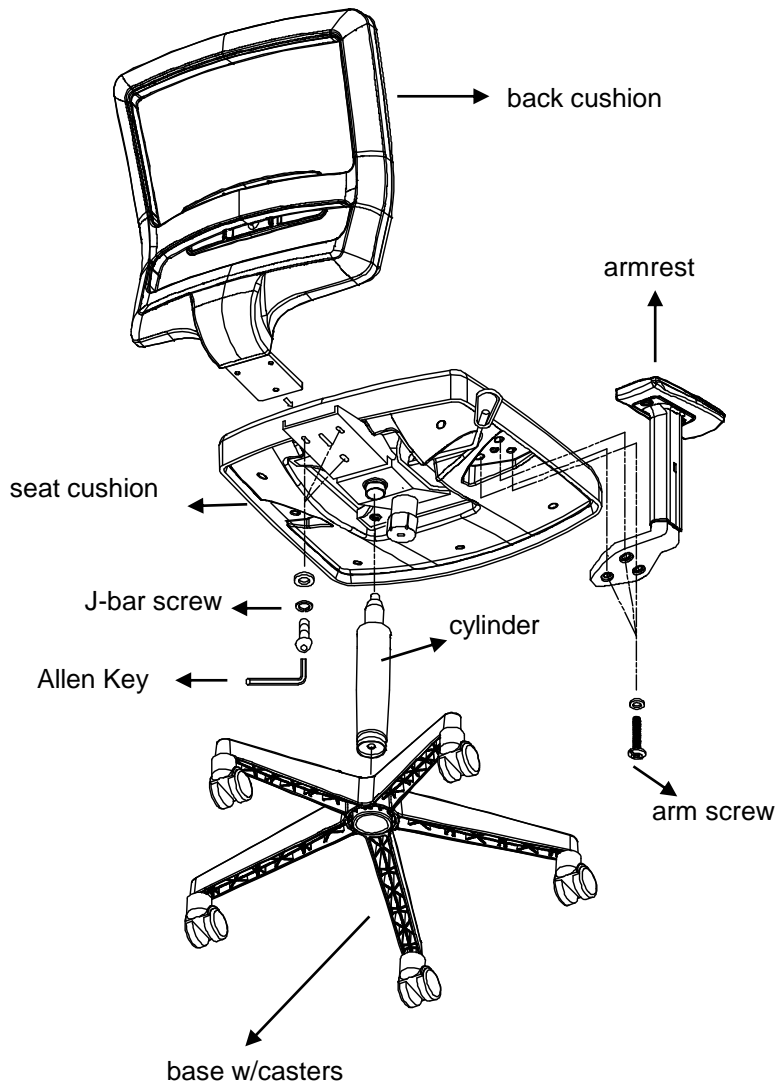


Revere Chair Installation Instructions

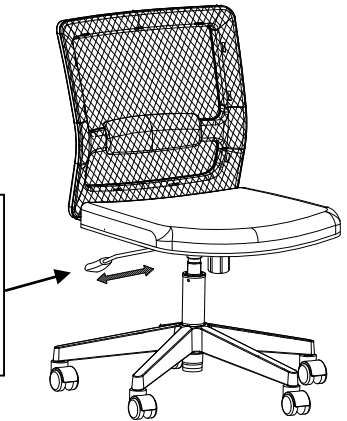
Parts List:



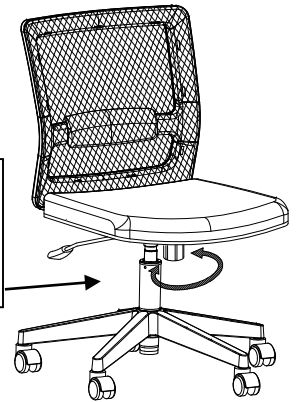
Assembly Process:



Push in the lever to lock the mechanism ; pull out the lever to release the mechanism and the back cushion could be reclining



Turn the mechanism knob to adjust the tilt tension clockwise : to release anticlockwise: to tighten



Height adjustable armrests

