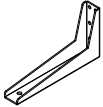
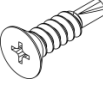
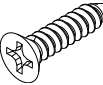
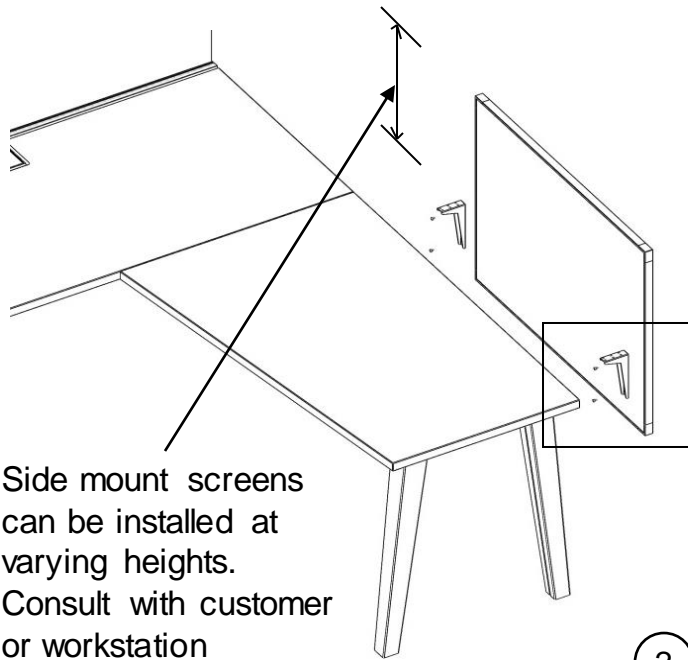


# Slimline Side Mounted Screens

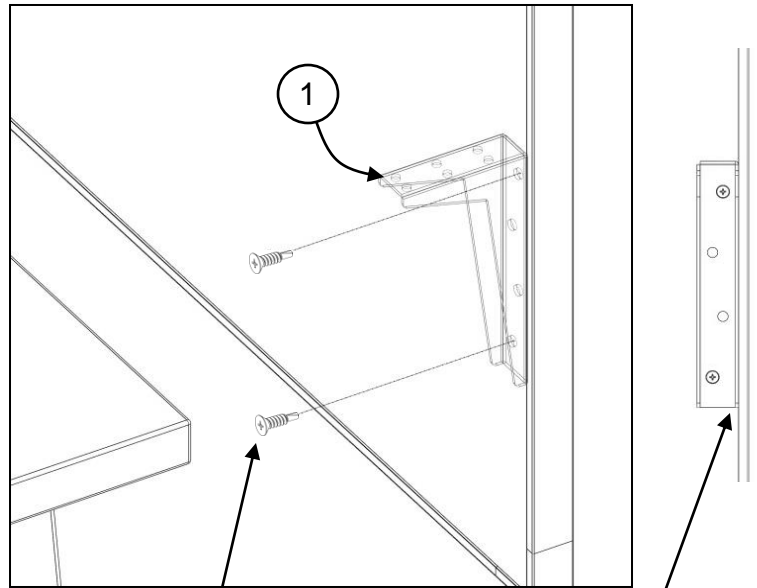
Revision Log			
Date	Page No.	Description of change	Name
5/12/20	1-3	Released	S. Powers

Parts List				
Item	Replacement Part number	Circle Sheet Part Number	Description	Image
1	A-UFSMCP	A-UFSMCP	Side Mount Screen Bracket	
2	RH-TSFP1034	RH-TSFP1034	Flat Head Self Drilling Screw #10 x 3/4" long	
3	RH-QS0978	RH-QS0978	Flat Head Screw #9 x 7/8" Long	

# Slimline Side Mounted Screens



Side mount screens can be installed at varying heights. Consult with customer or workstation designer for proper placement.



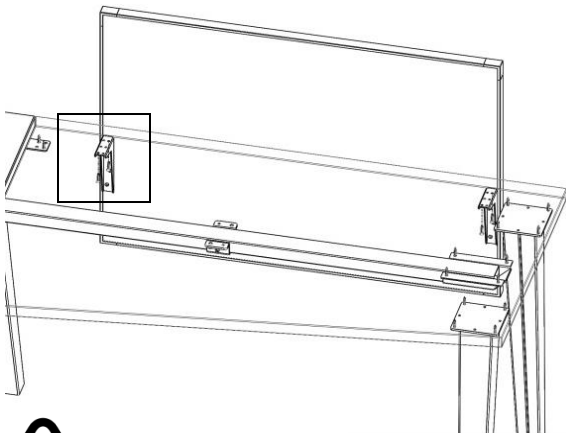
2



#10 x 3/4" flat head self drilling screw, phillips drive #2. Screw through fabric or whiteboard material into aluminum frame behind. Take care not to "pull" fabric on screen face. Screws will mar surface. Brackets cannot be moved after holes are drilled. Measure carefully from top to each bracket to assure even installation.



Align brackets with inside edge of screen frame



3

#9 flathead Phillips 7/8<sup>th</sup> long  
4 Places

