

Stow

Nesting/Training Chair
(6800 Series)



Assembly Instructions

INCLUDED PARTS



Stow Chair



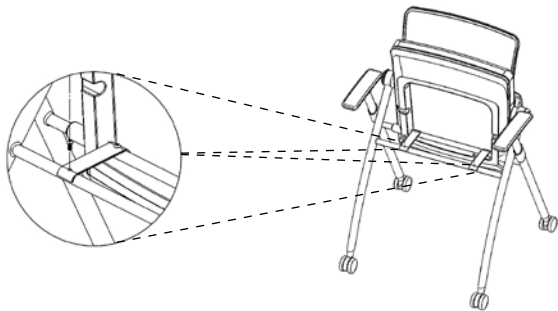
M5 x 8mm Bolts x2



Allen Wrench x1

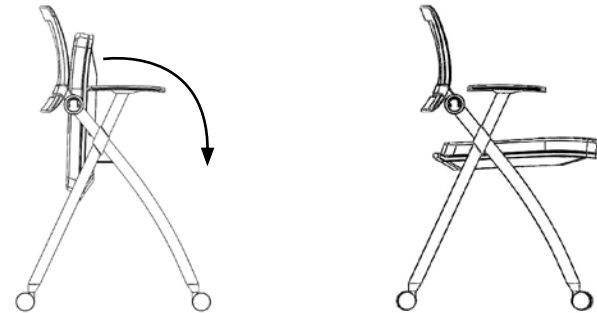
STEP 1

Keep seat cushion flipped up in the nesting position. Align the metal strap with the bolt hole on the front bar (both sides). Using the Allen wrench screw the bolts in tightly.



STEP 2

Flip the seat down.



STEP 3

Sit back, relax and enjoy your new Stow Chair.

