

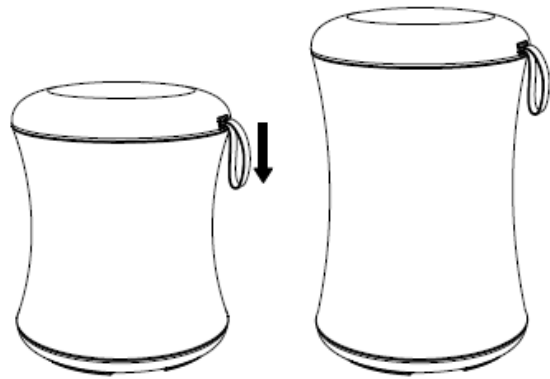
1. Functions



tilting



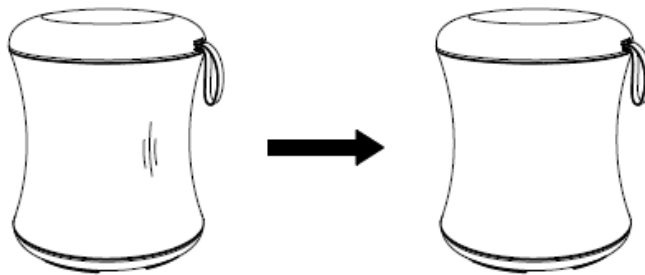
swiveling



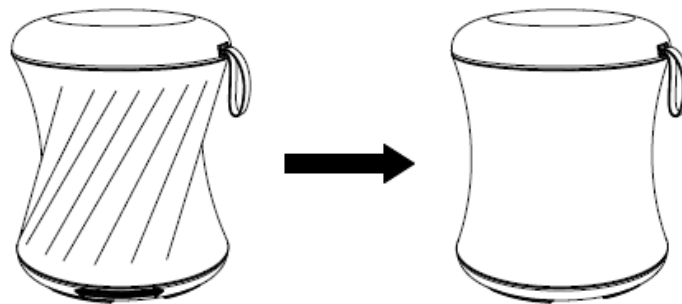
up and down – pull the strap

2. Fabric recovery

After an extended period of time at the high position, the fabric will appear loose when moving the **Sulli** to a lower position. The fabric will "recover" and appear without wrinkles after approximately 15 minutes.

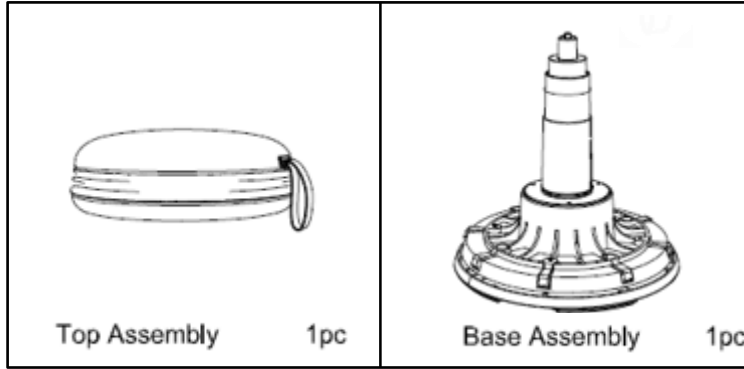


Accidental depressions in the fabric will smoothen out when raising and lowering the seat a few times.

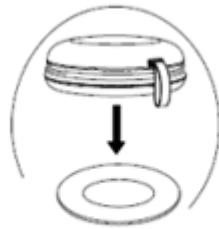


Twist the plastic cover on the bottom of **Sulli** to "untwist" fabric as needed.

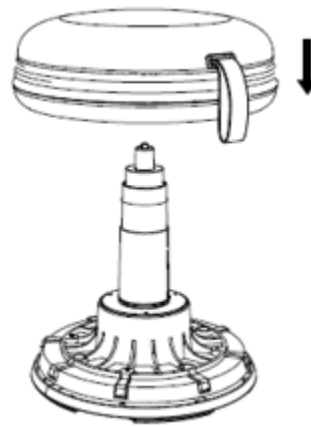
PARTS LIST



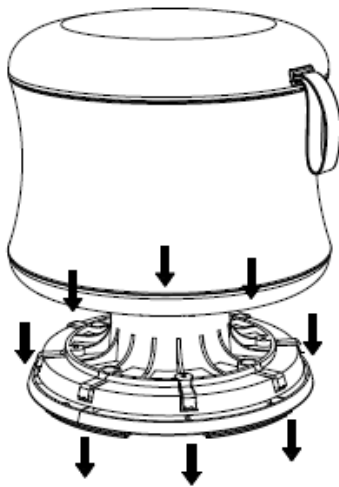
Step 1



remove protective paper

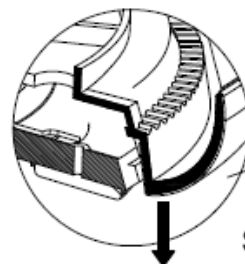
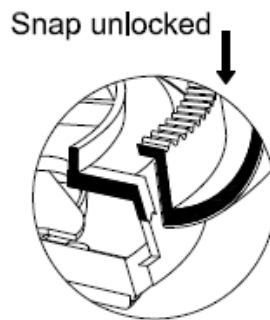


Step 2



8 snap hooks

Step 3



Snap locked

