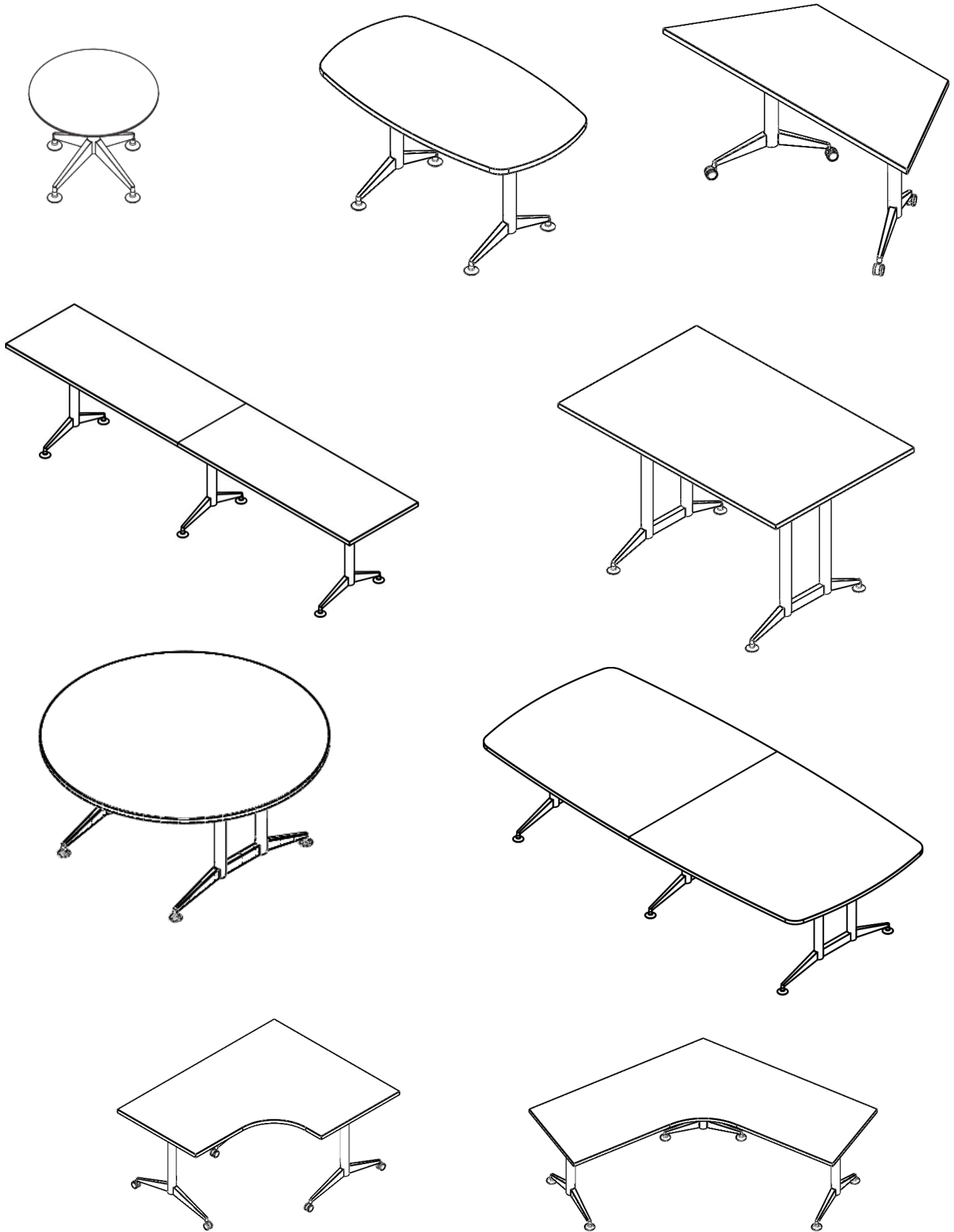


Day to Day Tables – Aluminum Base



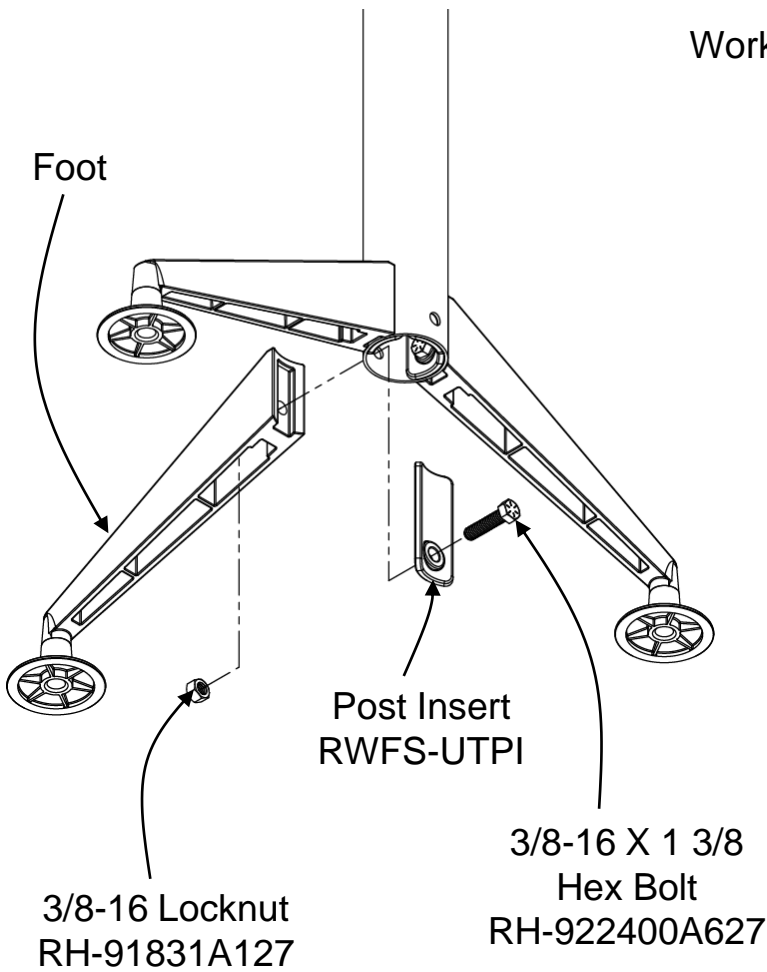
Day to Day Tables – Aluminum Base

Revision Log

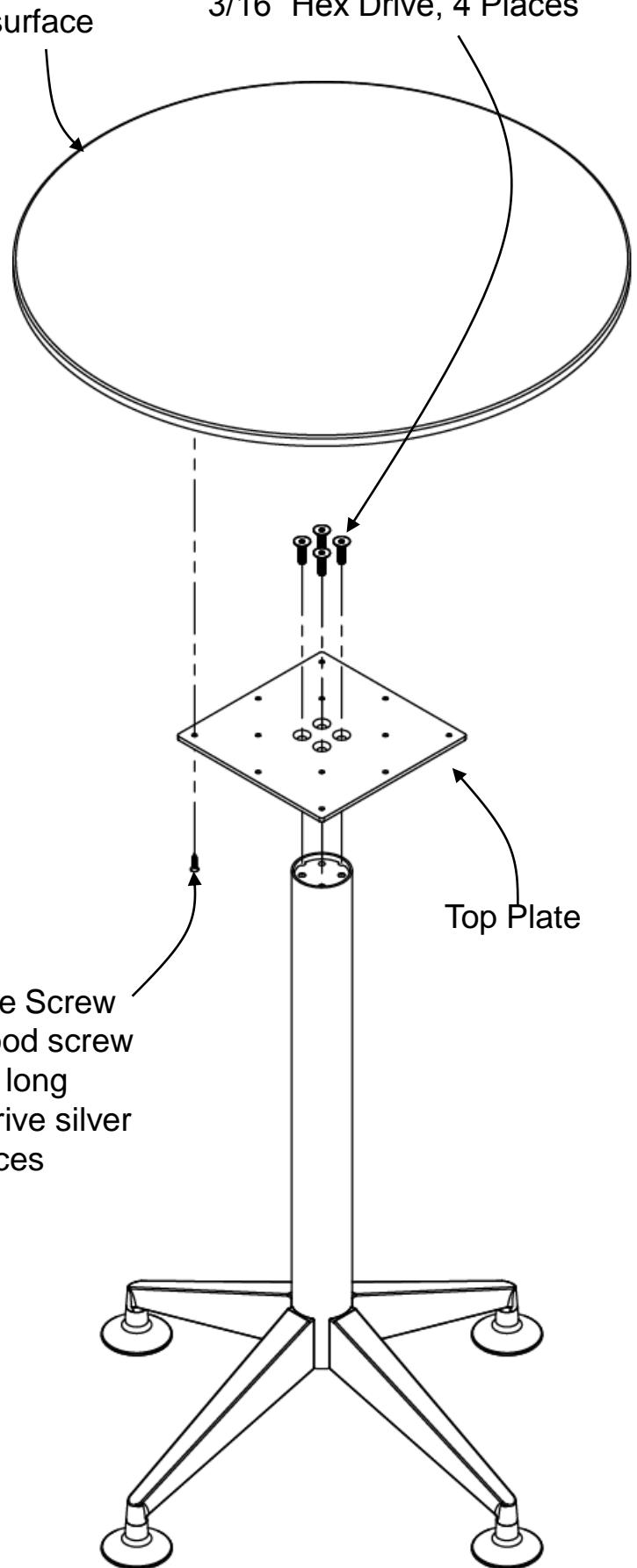
Date	Page No.	Description of change	Name
6/25/2018	1-6	Released	S. Powers
12/12/18	7	Added AIS Power Unit instructijons	S. Powers

Day to Day Tables – Aluminum Base

X-Base Assembly

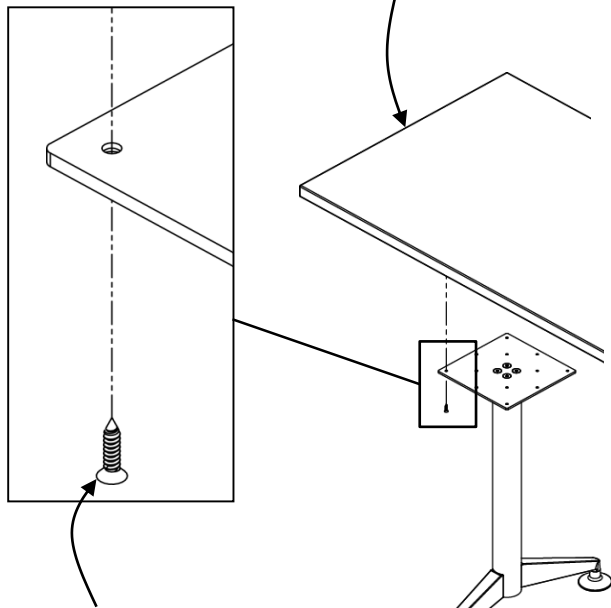
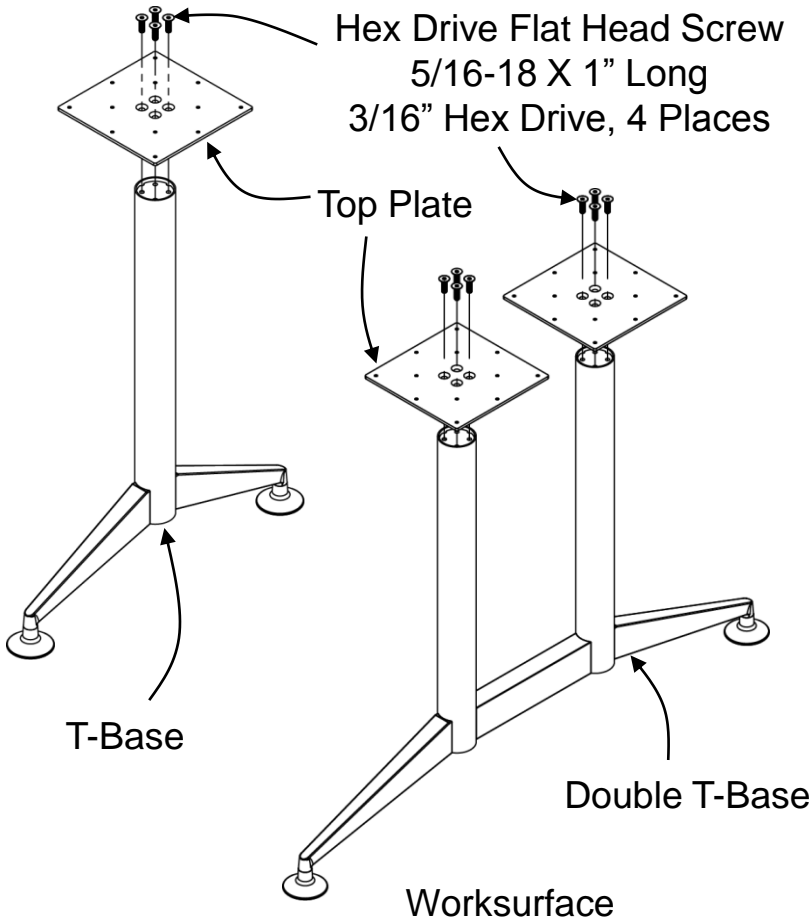


Hex Drive Flat Head Screw
5/16-18 X 1" Long
3/16" Hex Drive, 4 Places

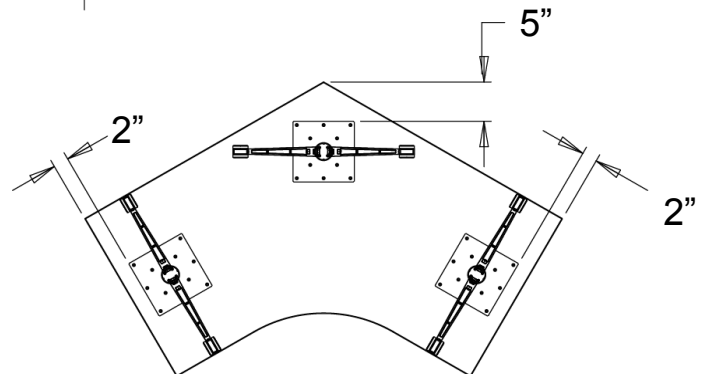
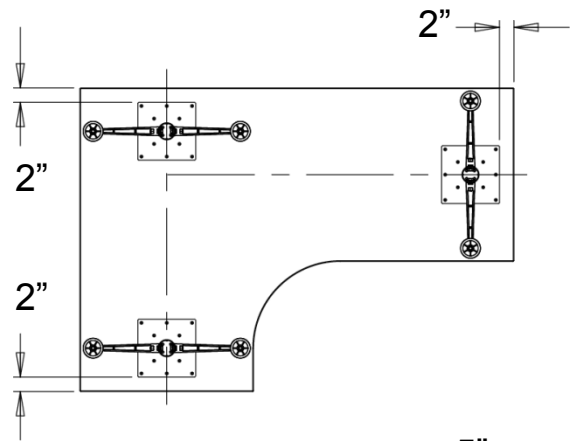
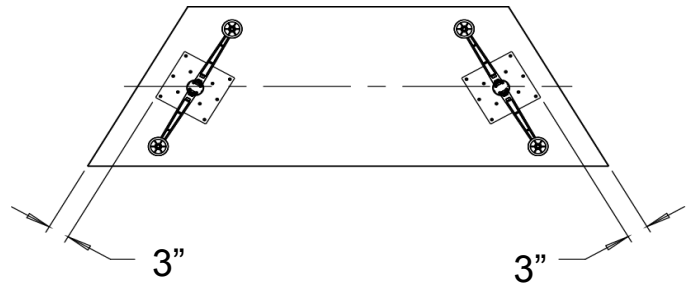
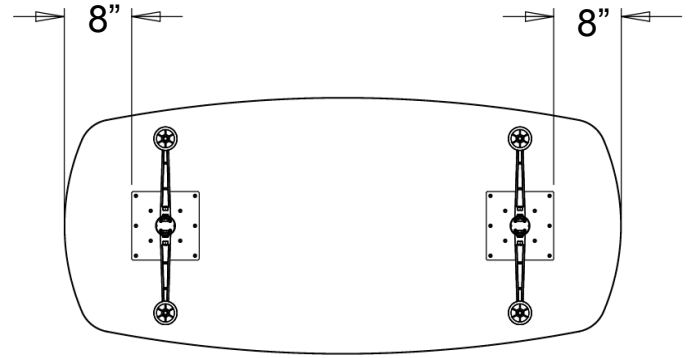
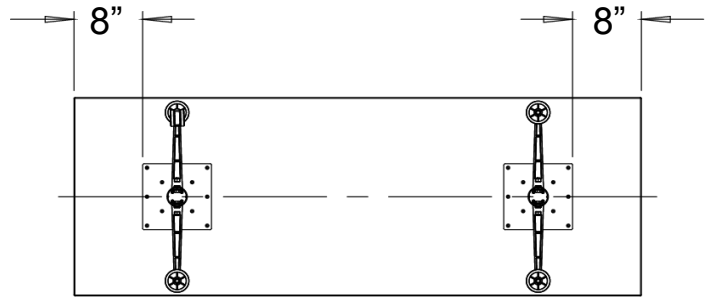


Worksurface Screw
Flat head wood screw
#9 x 7/8 long
#2 Phillips drive silver
12 places

Day to Day Tables – Aluminum Base

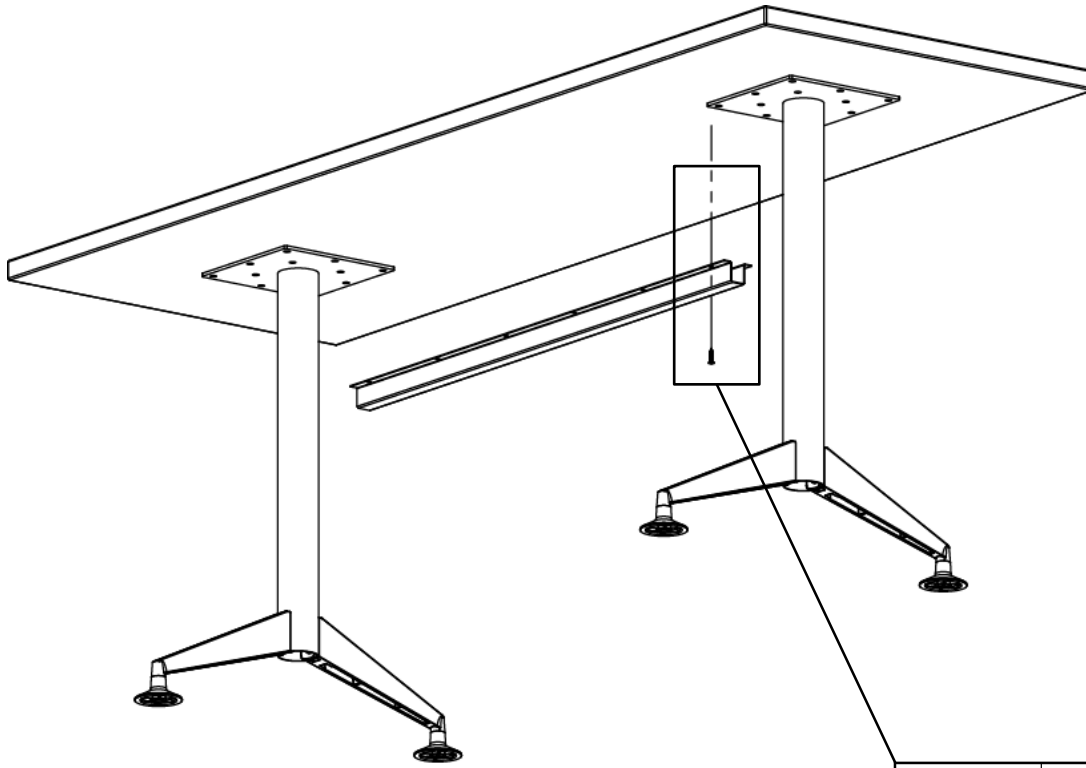


T-Base Assembly



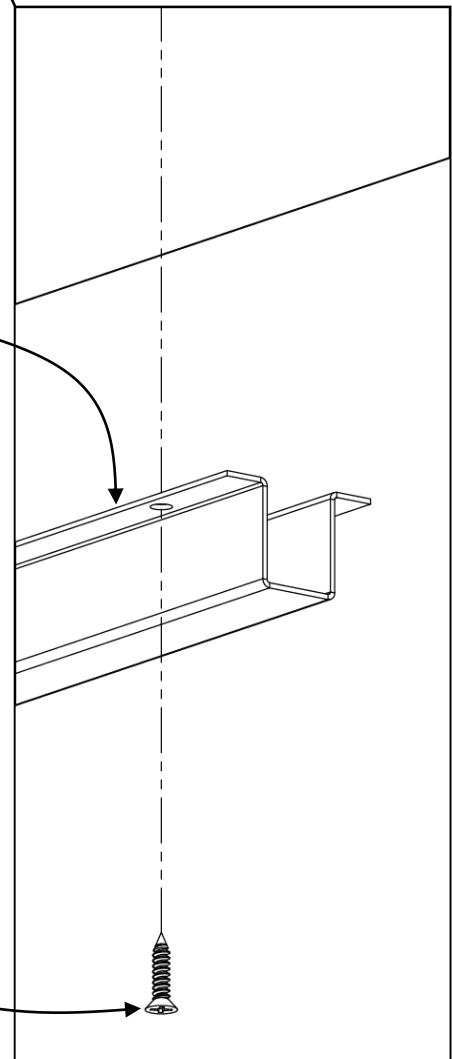
Day to Day Tables – Aluminum Base

U-Channel Assembly



U-Channel
(See following page for location)

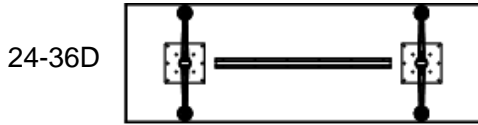
Flat head wood screw #9
x 7/8 long with #2
Phillips drive, silver x 12



Day to Day Tables – Aluminum Base

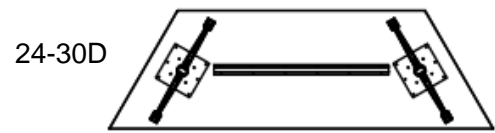
U-Channel Assembly

72W use TL-UCK36

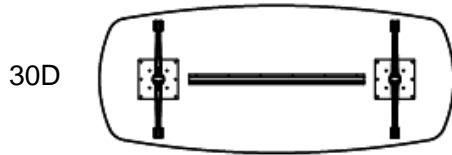


78W use TL-UCK36

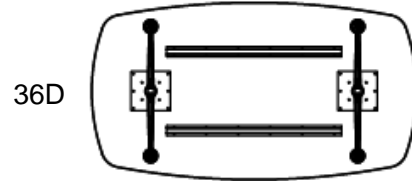
84W use TL-UCK42



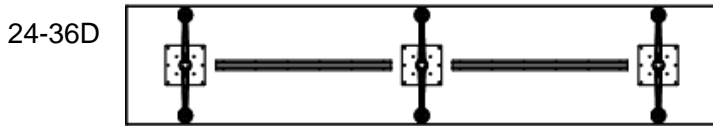
72W use TL-UCK36



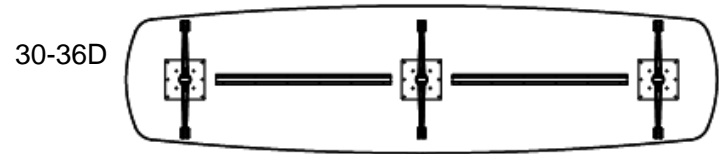
72W use TL-UCK36



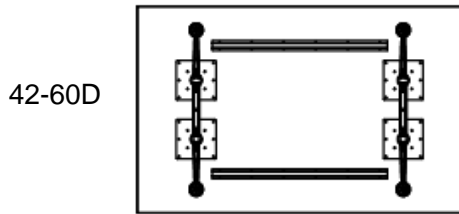
120W use TL-UCK36



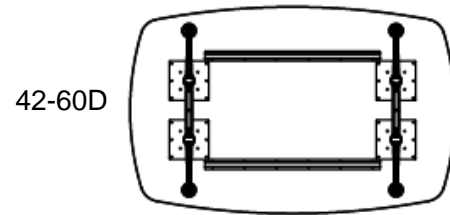
120W use TL-UCK36



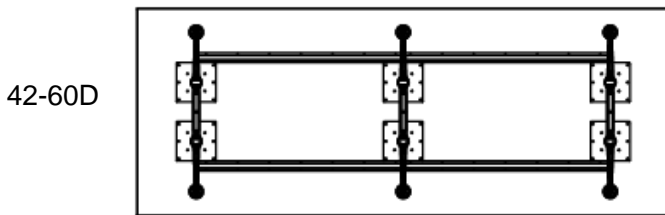
66W use TL-UCK36
72W use TL-UCK42



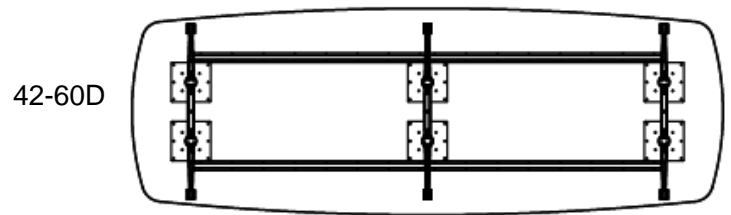
66W use TL-UCK36
72W use TL-UCK42



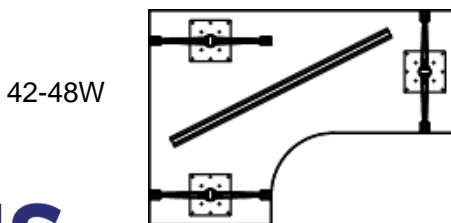
108W use TL-UCK42
120W use TL-UCK48



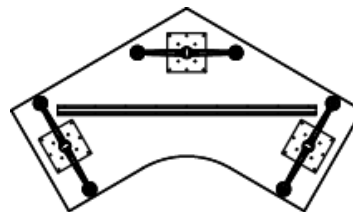
108W use TL-UCK42
120W use TL-UCK48



60W use TL-UCK48
63W use TL-UCK54
72W use TL-UCK60



42W use TL-UCK54
48W use TL-UCK60
54W use TL-UCK66



U-Channel	Length
TL-UCK36	36"
TL-UCK42	42"
TL-UCK48	48"
TL-UCK54	54"
TL-UCK60	60"
TL-UCK66	66"

Day to Day Tables – Aluminum Base

AIS Power Unit

