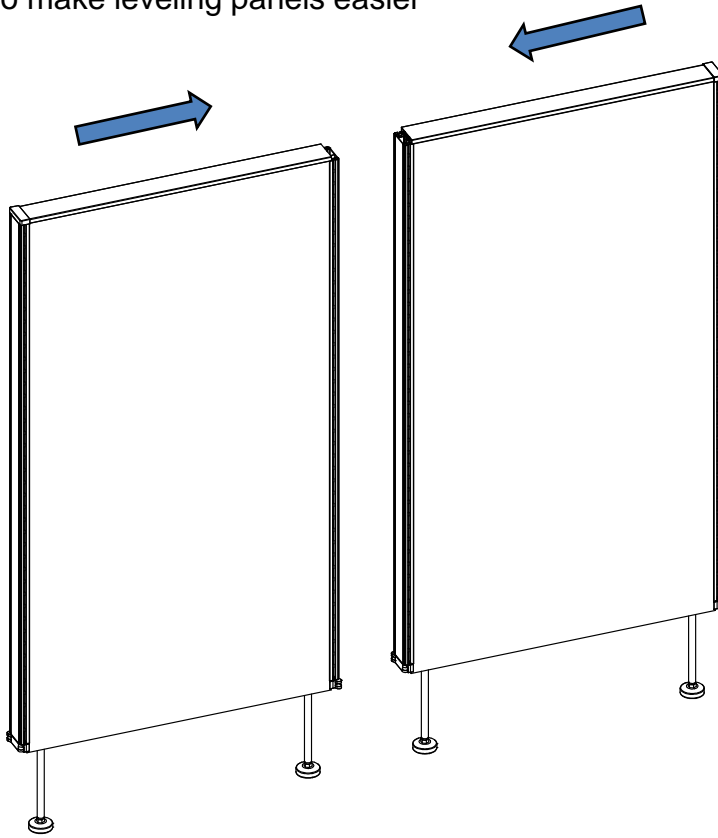


Date	Page No.	Description of change	Name
01/07/2020	1-9	Released	S. Powers
6/24/2020	10	Added top cap installation	S. Powers
07/26/2023	2	Updated hinge quantity chart	S. Powers
03/12/2024	10	Updated top cap installations	S. Powers

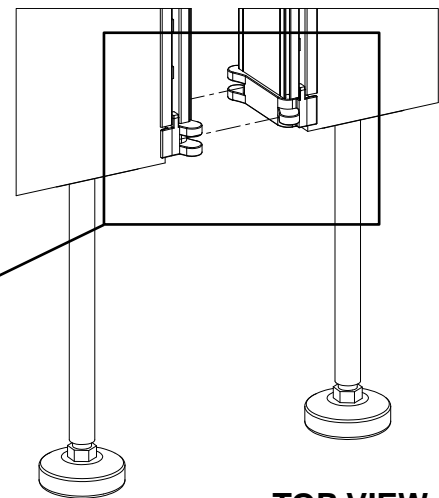
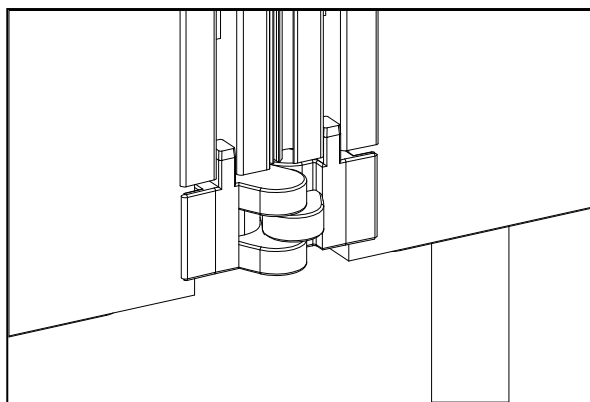
**Step 1a:** Align panels, making sure panels are flush and are in a straight line (180° to each other).

**TIP:** If possible, start at a 2-way connection closest to the highest point on floor to make leveling panels easier as you build.

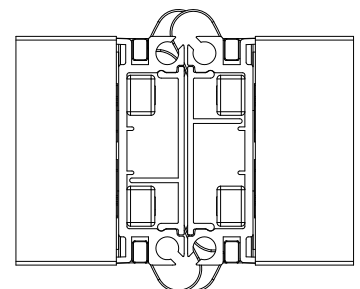


**Step 1b:** Horizontally align Vertical Alignment Tabs at the bottom of the Hanger Rail. Adjust glides to raise or lower panels as needed. Interlock tabs as shown here.

Note: Hanger Rail edges should ALMOST touch.  
(see TOP VIEW)



**TOP VIEW**



# Divi Linear

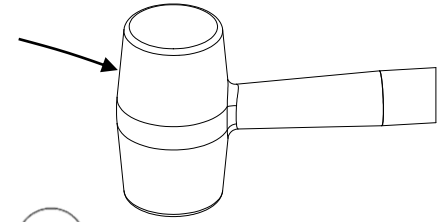
**Step 2:** Install Hinges. See Chart below for length and quantity requirements.  
(note: always start with the shortest hinge)

Use a non-marring mallet to GENTLY tap hinge down until flush with the top of the hanger rail.

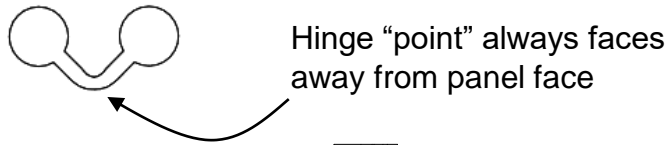
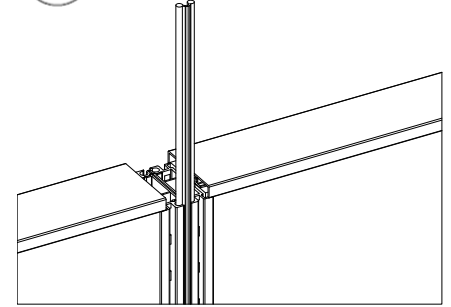
**TIP:** Failure to hold panels aligned and plumb will make installation difficult

PANEL HEIGHT	HINGE LENGTH AND NUMBER OF HINGE SEGMENTS REQUIRED PER PANEL HEIGHT (NOTE: QUANTITIES FOR EACH SIDE OF PANEL)			
	12 7/8"	20 7/8"	36 7/8"	52 7/8"
42"	1	1		
50"		2		
66"		1	1	
82"		1		1

## Hinge Installation

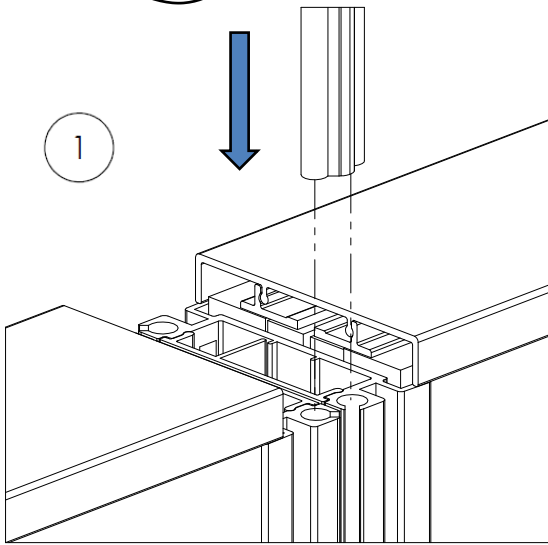


2

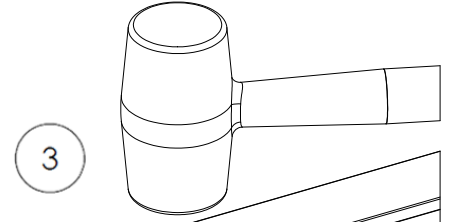


Hinge "point" always faces away from panel face

1



Use a screwdriver as shown in Fig D. GENTLY tap shaft of screwdriver until the hinge is seated at the bottom of the panel.



3

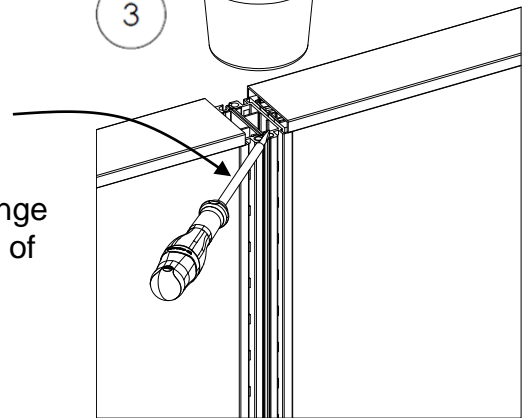
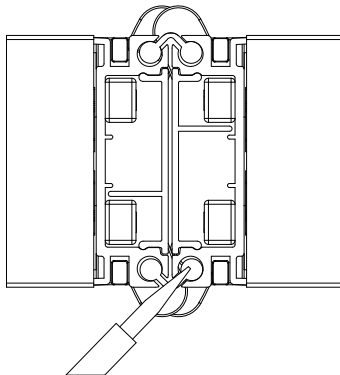
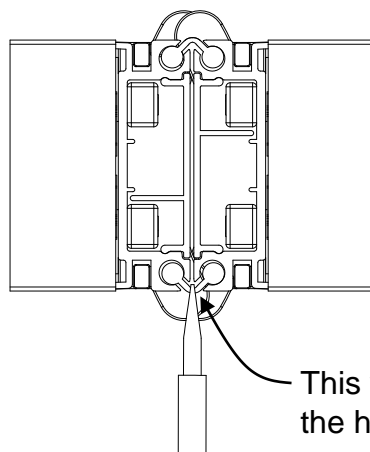


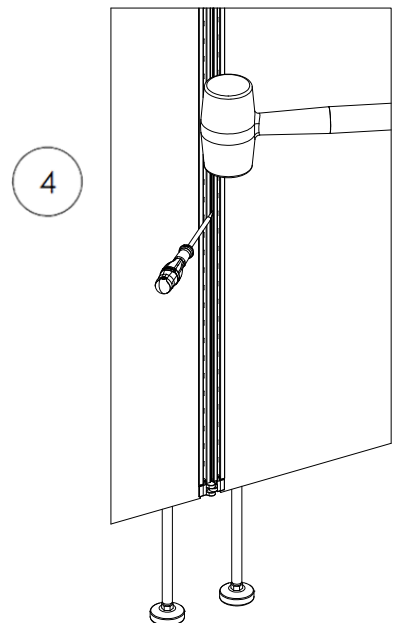
Fig D - CORRECT



IN-CORRECT



This will damage the hinge



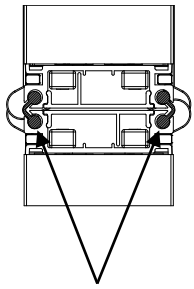
4

# Divi Linear

# Connection Configurations

## Straight line (180°)

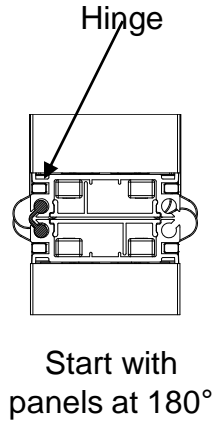
Install hinges on both sides of hanger frame



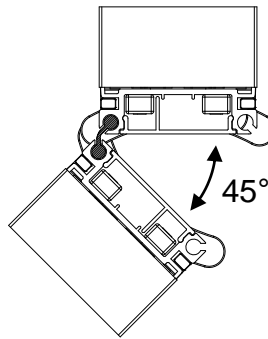
Hinge

## 2 way (90°, 60° or 45°)

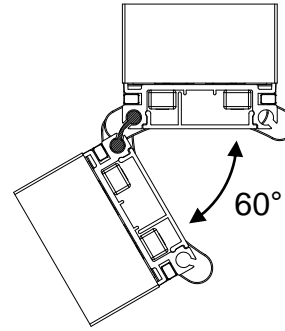
Install hinges on one side of hanger frame, then rotate panels to appropriate angle



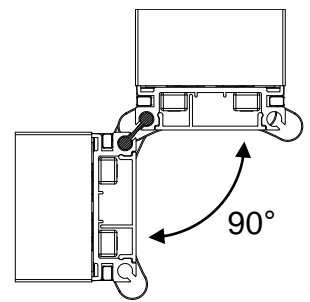
Start with panels at 180°



45°

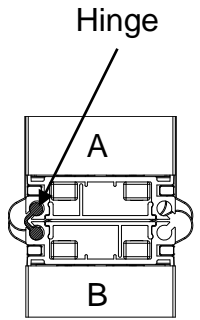


60°

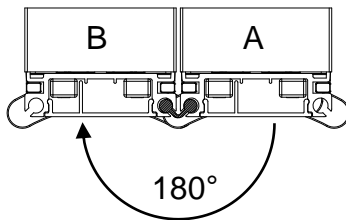


90°

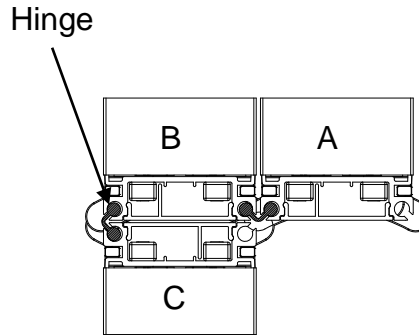
## 3 way (90°)



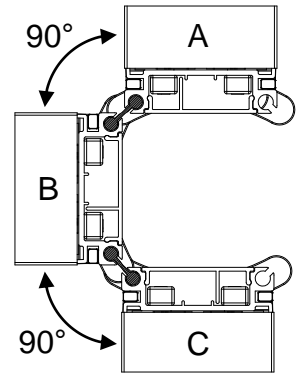
Start with panels at 180° and install one hinge combo



Rotate panel B 180°



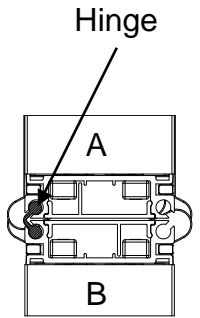
Install panel C and add hinge combo between panel B and C



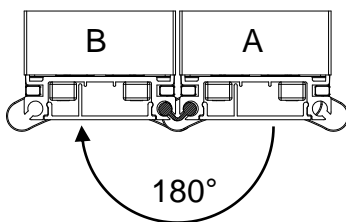
Rotate panels B and C 90°

## 3 way (120°)

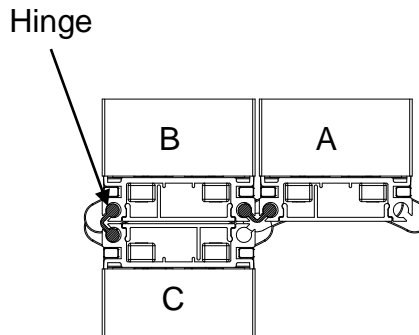
**TIP:** If final hinge is difficult to install, you MAY need to cut hinge in shorter lengths to reduce friction



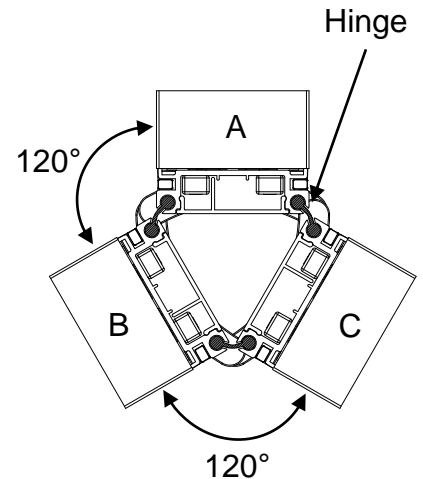
Start with panels at 180° and install one hinge combo



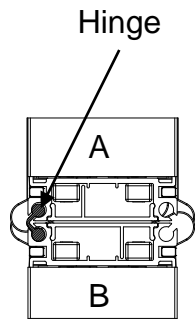
Rotate panel B 180°



Install panel C and add hinge combo between panel B and C

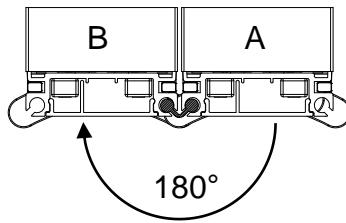


Rotate panels B and C 120° Then install third hinge combo between panel A and C

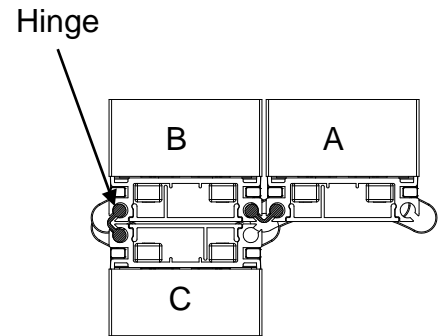


1. Start with panels at 180° and install one hinge combo

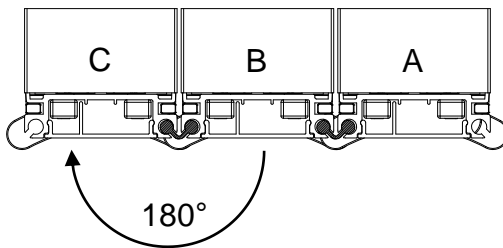
## 4 way (90°)



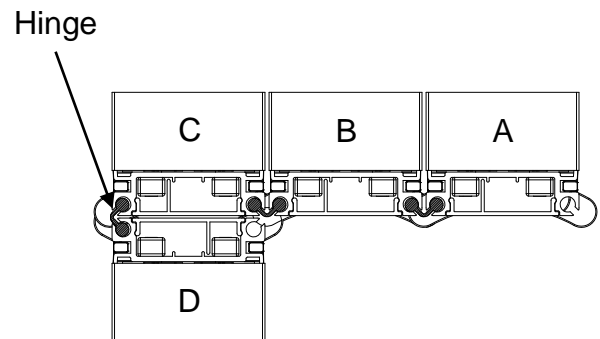
2. Rotate panel B 180°



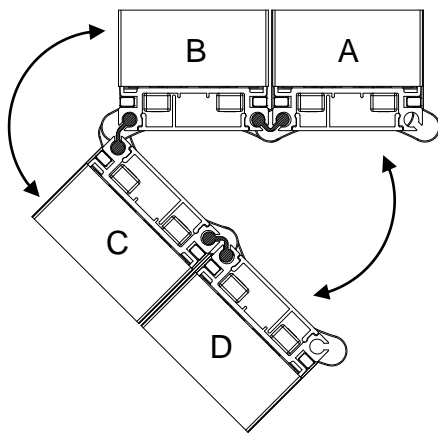
3. Install panel C and add hinge combo between panels B and C



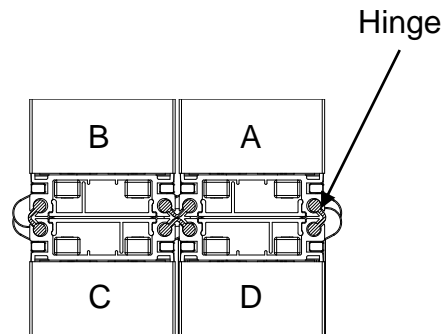
4. Rotate panel C 180°



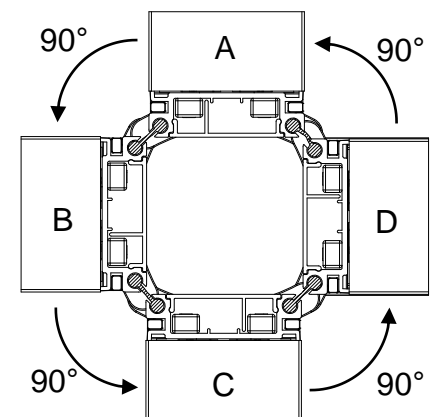
5. Install panel D and add hinge combo between panels C and D



6. Rotate panel C Back around next to panel D and continue to rotate until Panel D touches Panel A



7. Install final hinge combo between panels A and D



8. Rotate all panels until 4-way is at 90°

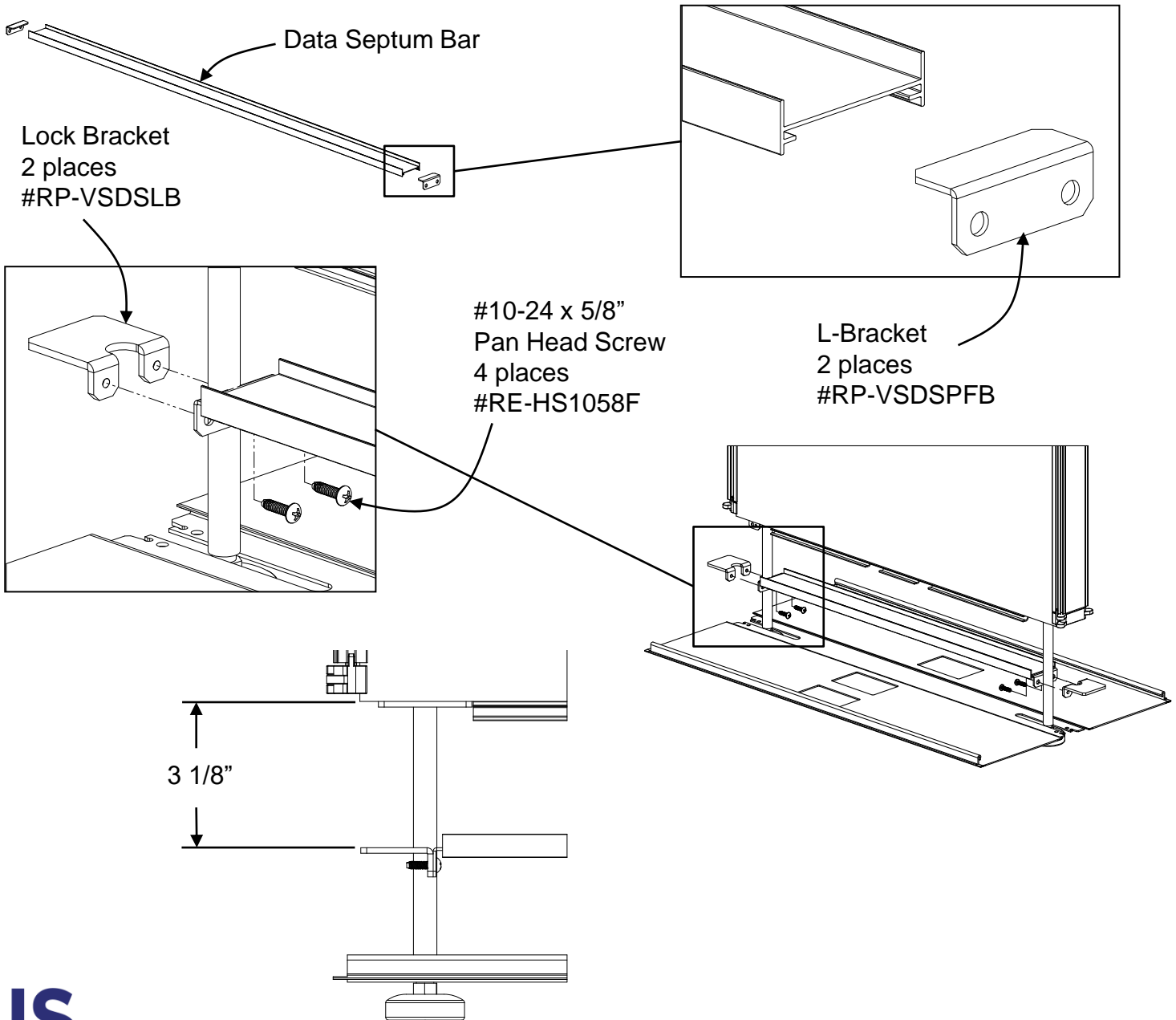
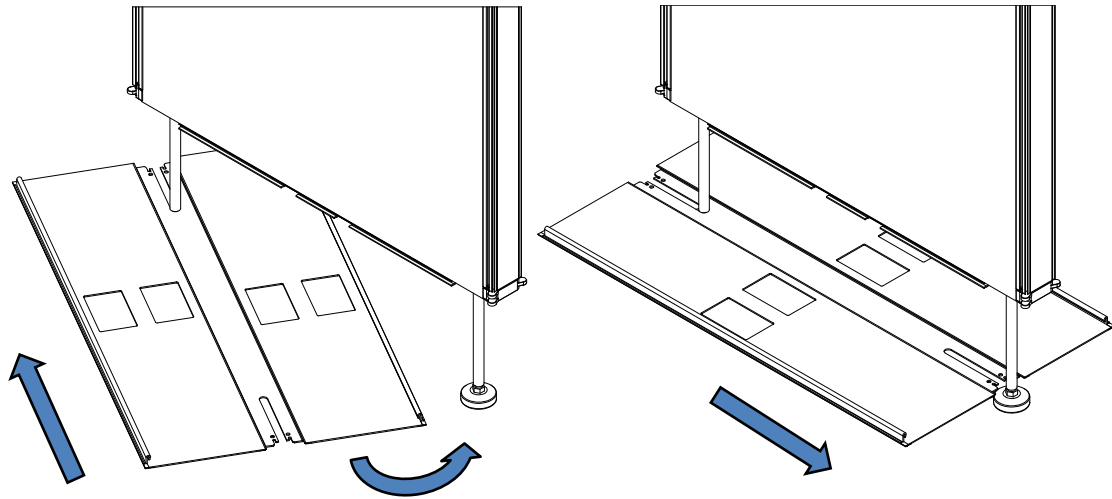
# Divi Linear

# Data Septum

**Step 1:** Level Panels per standard practice using a flat 1/2" open end wrench

**Step 2:** Stage Base Covers as shown right. Do not close covers.

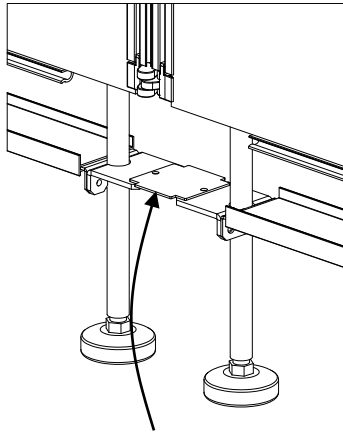
**Step 3:** Install Data Septum as shown below.



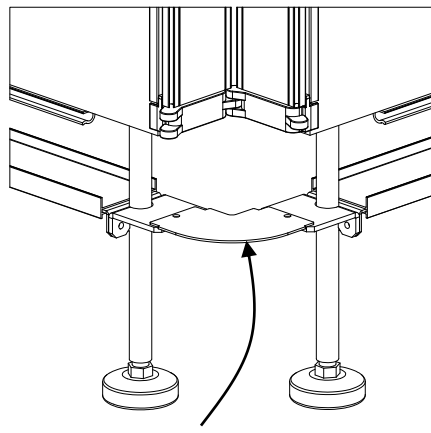
# Divi Linear

# Connection Septum

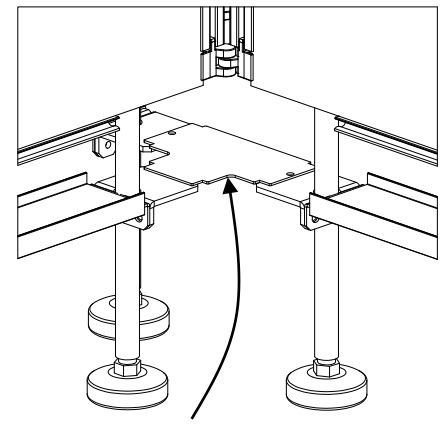
Step 4: Install Connection Septum's by simply "resting" the Connection Septum in between the septum Lock Brackets. Every connection has a specific Connection Septum shown below.



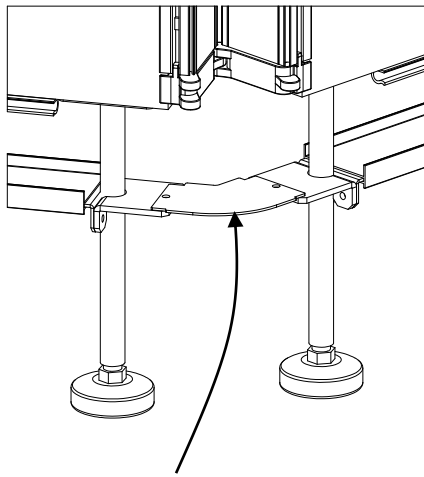
2 way 180° Septum



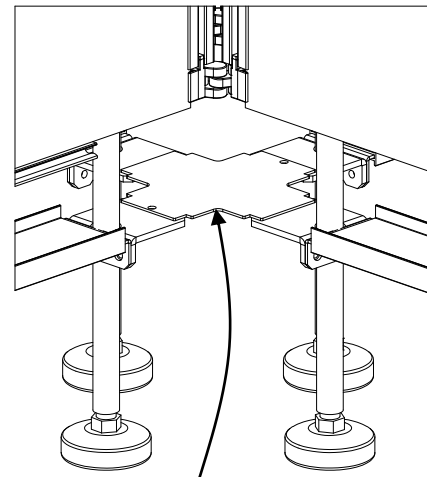
2 way 90° Septum



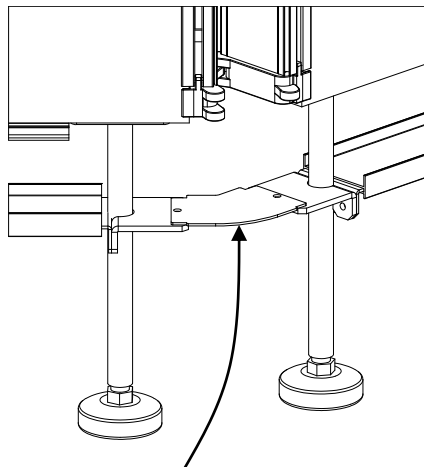
3 way 90° Septum



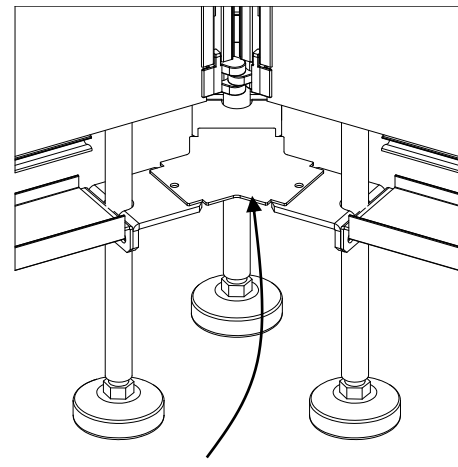
3 way 45° Septum



4 way 90° Septum



2 way 60° Septum

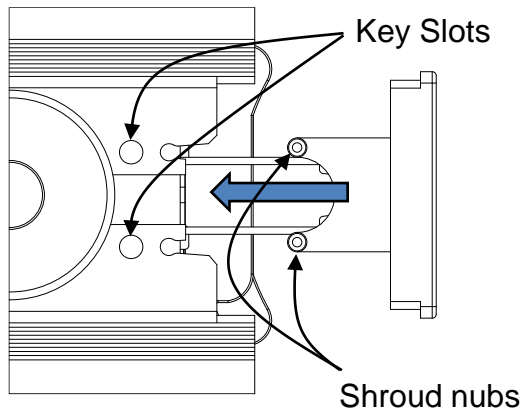


3 way 120° Septum

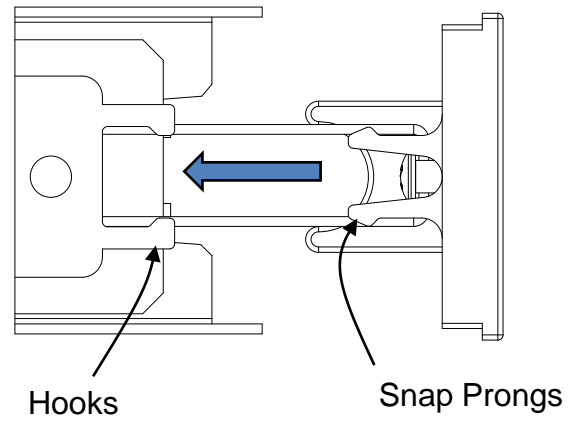
# Divi Linear

# Raceway Shroud

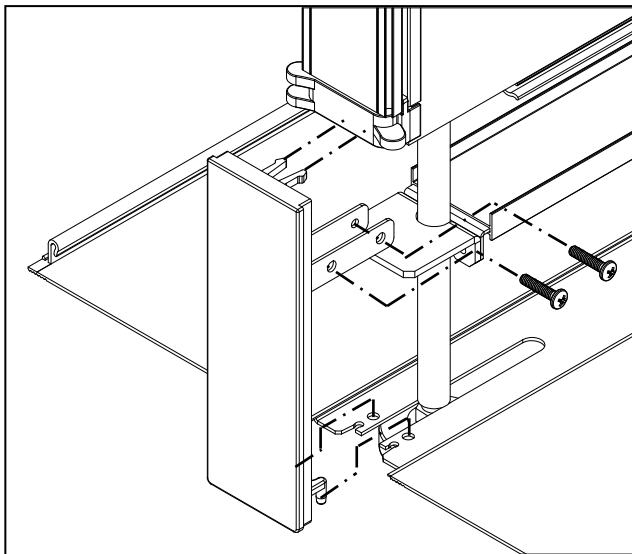
Bottom Engagement



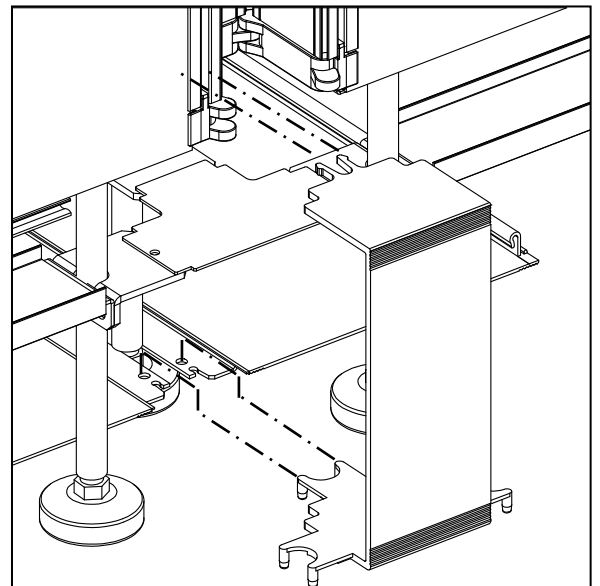
Top Engagement



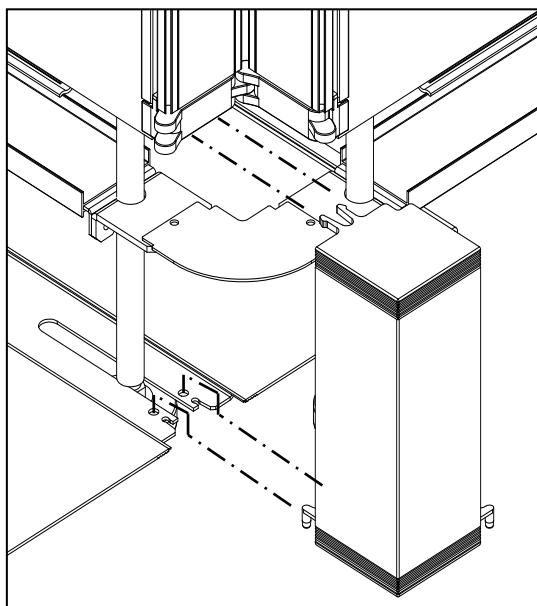
Raceway Endcap



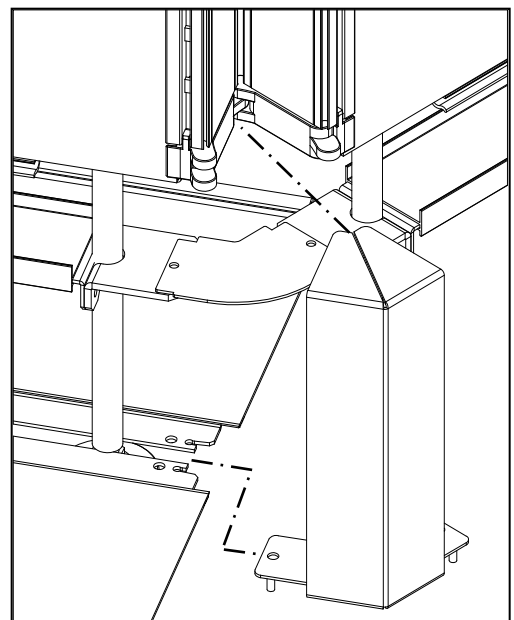
3 way 90° Shroud



2 way 90° Shroud



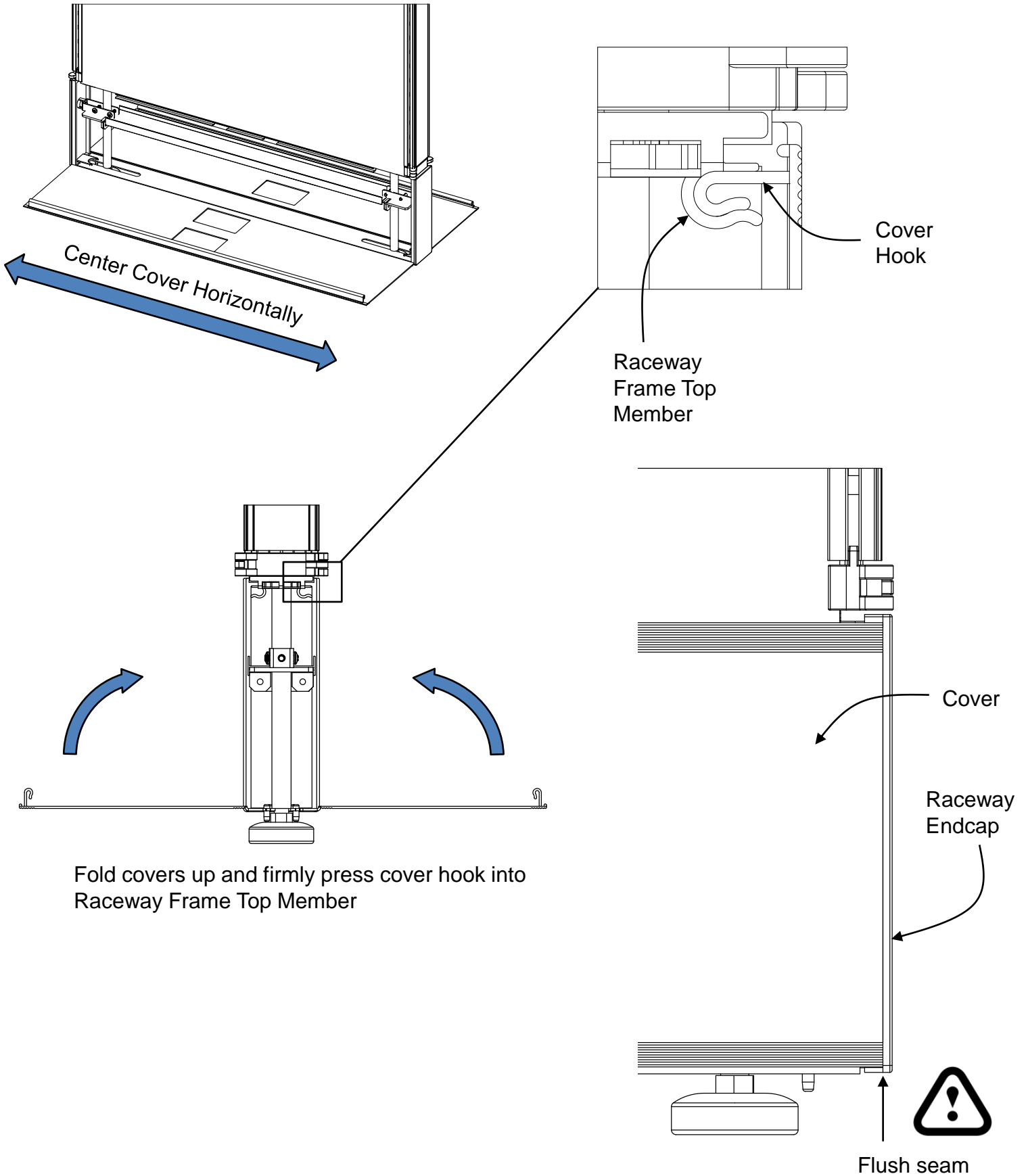
2 way 45° or 60° Shroud



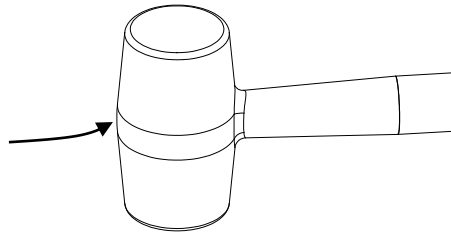


# Divi Linear

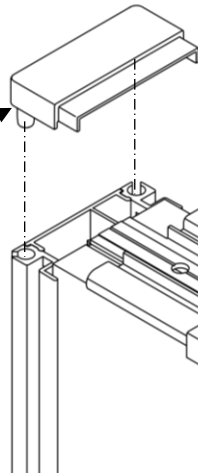
# Closing Raceway Cover



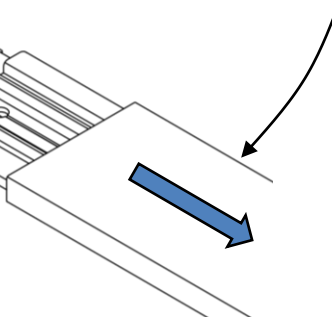
Use a non-marring mallet to GENTLY tap into place



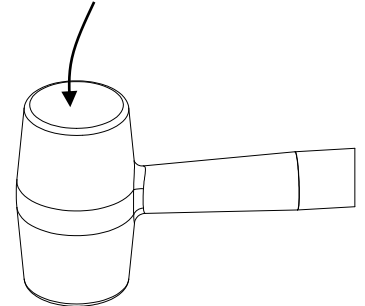
Topcap Endcap



Slide topcap back and install first topcap endcap into the hanger frame



Use a non-marring mallet to GENTLY tap into place



Lift end of topcap up 1/2" max.  
Do not bend or crease topcap.  
Install the second topcap endcap under the topcap.

